

# Industrial Computer and Monitor Specifications

Bulletins 6177R, 6181P, 6181X, 6176M, 6186M, 6200M, 6200P, 6200T

Integrated Display and Non-display Computers (6181P)



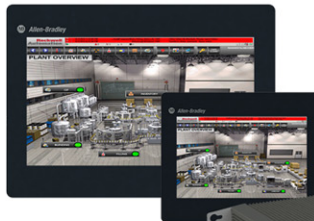
Integrated Display and Non-display Computers for Hazardous Locations (6181X)



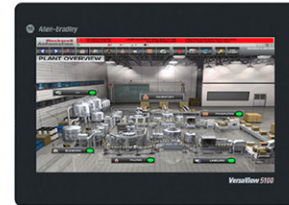
Standard Industrial Monitors (6176M)



VersaView Thin Clients and Industrial Computers (5200, 5400)



VersaView Industrial Monitors (5100)



Non-display Computers (6177R)



Performance Industrial Monitors (6186M)



| Topic  | Page |
|--|------|
| Summary of Changes   | 2    |
| Overview   | 2    |
| Rockwell Automation Industrial Computers                                     | 5    |
| • VersaView 5200 Thin Clients and 5400 Industrial Computers                  | 5    |
| • 6181P Integrated Display and Non-display Computers                         | 11   |
| • 6181X Integrated Display and Non-display Computers for Hazardous Locations | 17   |
| • 6177R Non-display Computers  | 20   |
| Rockwell Automation Industrial Monitors                                      | 24   |
| • VersaView 5100 Industrial Monitors   | 25   |
| • 6186M Performance Industrial Monitors                                      | 28   |
| • 6176M Standard Industrial Monitors   | 32   |
| HMI Software   | 36   |
| Software Comparison  | 38   |
| Additional Resources   | 43   |



## Summary of Changes

This publication contains new and updated information as indicated in the following table.

| Topic  | Page                      |
|--|---------------------------|
| Updated RAM row in Table 1.  | 3                         |
| Added footnotes 2...5 to Table 1.  | 3                         |
| Added 1 TB hard drive availability to 6177R column in Table 2.   | 4                         |
| Added footnotes 4 and 8 to Table 2.  | 4                         |
| Added last paragraph about VersaView ThinManager Thin Client models to introductory section.                           | 5                         |
| Separated technical specifications for VersaView Thin Client and industrial computers into two tables, Tables 6 and 7. | 7                         |
| Revised Figure 1 to include new VersaView Thin Client non-display models.  | 8                         |
| Added footnote to Table 20.  | 22                        |
| Added RoHS row to Table 31.  | 29                        |
| Added China RoHS and Turkey RoHS to Table 35.  | 33                        |
| Updated website URL and how to search for certification information.   | 6, 13, 18, 21, 26, 29, 33 |
| Updated table to include certification links to Rockwell Automation Literature Library.                                |                           |
| Updated footnote 2 for what Windows 10 Professional versions are affected to Table 31.                                 | 38                        |
| Renamed RSLinx Enterprise software to FactoryTalk Linx software.   | 39, 40                    |
| Updated number of clients from 50 to 80, and added footnote 1 to Table 32.   | 39                        |
| Added footnote to Table 33.  | 39                        |
| Updated footnote 1 to include software versions in Table 35.   | 40                        |

## Overview

This document provides technical specifications, environmental specifications, certifications, and dimension drawings for the Allen-Bradley® portfolio of industrial computers and monitors from Rockwell Automation.

Use this document with the Visualization Solutions Selection Guide, publication [VIEW-SG001](#), to make initial decisions on the visualization products that are best suited for your system requirements.

## Rockwell Automation Industrial Computers

Rockwell Automation offers a wide range of industrial computers for a wide range of environments.

Industrial environment computers offer solutions for the physical limitations and requirements of your environment. Non-display computers provide a variety of options in form factors, RAM, storage, performance, operating temperatures and optical drives. Integrated display computers are available in different screen sizes, storage options, and performance packages.

Our extreme environment computers combine Hazardous Location certifications with the capacity to withstand more extreme temperatures. Industries such as oil and gas, chemicals, and mining involve potentially explosive materials in locations where hardware often takes a beating. These computers are designed to endure harsh temperature extremes and are IECEx, ATEX, and UL rated for hazardous locations.

[Table 1](#) and [Table 2](#) compare the various industrial computer features to assist in your purchase.

**Table 1 - VersaView® 5200 and 5400 Thin Client and Industrial Computers Comparison**

| Attribute   | VersaView 5400 Integrated Display Industrial Computer  | VersaView 5400 Non-display Industrial Computer  | VersaView 5200 Integrated Display Thin Client   | VersaView 5200 Non-display Thin Client   |
|---|--|---|---|--|
| Available display sizes/resolution  | <ul style="list-style-type: none"> <li>12.1 in./1280 x 800</li> <li>15.6 in./1366 x 768</li> <li>18.5 in./1366 x 768</li> <li>21.5 in./1920 x 1080</li> </ul>        | Non-display (NDM)   | <ul style="list-style-type: none"> <li>12.1 in./1280 x 800</li> <li>15.6 in./1366 x 768</li> <li>18.5 in./1366 x 768</li> <li>21.5 in./1920 x 1080</li> </ul> | Non-display (NDM)  |
| Available touch screens   | PCAP multi-touch   | —   | PCAP multi-touch  | —  |
| External video connections  | 1 x DisplayPort  | <ul style="list-style-type: none"> <li>1 x DisplayPort</li> <li>1 x VGA</li> </ul>  | 1 x DisplayPort   | <ul style="list-style-type: none"> <li>DisplayPort<sup>(2)</sup></li> <li>VGA<sup>(3)</sup></li> <li>HDMI<sup>(4)</sup></li> </ul> |
| Keypad  | None   |   |   |  |
| Display bezel   | Glass and aluminum   | —   | Glass and aluminum  | —  |
| Package options   | Standard   |   |   |  |
| Available processors  | See <a href="#">Table 7 on page 8</a>  |   | See <a href="#">Table 6 on page 7</a>   |  |
| Primary storage media   | 128 GB multi-level cell, solid-state drive (MLC SSD)   |   | None  |  |
| RAM <ul style="list-style-type: none"> <li>Type</li> <li>Supplied/max (GB)</li> </ul> | DDR3, SO-DIMM<br>4/4   | DDR3<br>4/4   | DDR3, SO-DIMM<br>2/2  | DDR3<br>1/1, 2/2, or 4/4 <sup>(5)</sup>  |
| Expansion slots   | None   |   |   |  |
| Available removable media   | Secure digital (SD) card slot  | None  | SD card slot  | None   |
| I/O connectors  | 9; see <a href="#">page 7</a> .  |   |   |  |
| Available Windows operating systems   | <ul style="list-style-type: none"> <li>7 Pro SP1 32 bit/64 bit<sup>(1)</sup></li> <li>WES 7 32 bit/64 bit<sup>(1)</sup></li> <li>10 IoT Enterprise 64 bit</li> </ul> |   | ThinManager® ready  |  |
| CompactFlash quantity   | None   |   |   |  |
| Power   | 24V DC   |   |   |  |
| Special requirements  | None   |   |   |  |
| Mount options   | <ul style="list-style-type: none"> <li>Panel (display models)</li> <li>VESA</li> </ul>   | <ul style="list-style-type: none"> <li>Vertical</li> <li>DIN rail</li> <li>VESA</li> <li>Legacy 6155R</li> <li>Machine</li> </ul> | <ul style="list-style-type: none"> <li>Panel (display models)</li> <li>VESA</li> </ul>  | <ul style="list-style-type: none"> <li>Vertical</li> <li>DIN rail</li> <li>VESA</li> <li>Legacy 6155R</li> <li>Machine</li> </ul>  |

(1) 32-bit images for these Windows operating systems are available from the Rockwell Automation Product Compatibility and Download Center (PCDC) website at <https://compatibility.rockwellautomation.com/Pages/home.aspx>.

(2) All Thin Client models have one DisplayPort except for cat. nos. 6200T-RC and 6200T-RE, which have three full-sized DisplayPorts and four mini-DisplayPorts.

(3) Only Thin Client cat. no. 6200T-NA has a VGA port.

(4) Only Thin Client cat. no. 6200T-KB has a HDMI port.

(5) The following memory is supplied/max: 1/1 GB for cat. no. 6200T-NA, 2/2 GB for cat. no. 6200T-BA, and 4/4 GB for cat. nos. 6200T-KB, 6200T-RC, and 6200T-RE.

**Table 2 - 6181P, 6181X, and 6177R Industrial Computers Comparison**

| Attribute                             | 6181P<br>Integrated Display Industrial Computer<br>(NDM, 1200P, 1500P, 1700P, and 1900P)   | 6181X<br>Industrial Computer for Hazardous<br>Locations (1200XT)  | 6177R<br>Non-display Computer (750R & 1450R)   |
|---------------------------------------|--|---|--|
| Available display sizes/resolution    | <ul style="list-style-type: none"> <li>Non-display option (NDM)</li> <li>12.1 in./1024 x 768</li> <li>15 in.<sup>(2)</sup>/1024 x 768 or 1366 x 768</li> <li>17 in./1280 x 1024</li> <li>19 in.<sup>(2)</sup>/1280 x 1024 or 1366 x 768</li> </ul> | <ul style="list-style-type: none"> <li>NDM</li> <li>12.1 in./1024 x 768</li> </ul>  | Requires external monitor  |
| Available touch screens               | Performance: Resistive<br>Advanced: PCAP <sup>(2)</sup>  | Resistive, sunlight readable  | None   |
| Keypad                                | None   | None  | None   |
| Display bezel                         | Aluminum or stainless steel  | Aluminum  | None   |
| Package options <sup>(1)</sup>        | Performance or Advanced  | Performance   | Performance, Advanced, or Server   |
| Available processors                  | Performance: Intel i3-4102E<br>Advanced: Intel i7-4700EQ   | Intel Core i3-5010U   | Intel Core i3-2120 or<br>Intel Core i5-2400  |
| Primary storage media                 |  |   |  |
| • Hard disk drive (HDD)               |  |   | <ul style="list-style-type: none"> <li>500 GB, 3.5-in. SATA<sup>(7)</sup></li> <li>1 TB, 3.5-in. SATA<sup>(8)</sup></li> </ul>   |
| • Solid-state drive (SSD)             | 32 GB SLC, 2.5-in. SATA or 256 GB MLC, 2.5-in.   | 128 GB MLC, 2.5-in. <sup>(6)</sup>  |  |
| RAM memory type<br>(GB installed/max) | Performance: DDR3 (4/16)<br>Advanced: DDR3 (8/16)  | DDR3 (8/16)   | DDR3 (4 or 8/32)   |
| Expansion slots                       | 1 half-length PCI Express x8 <sup>(3)</sup>  | 1 half-length PCIe x1   | <ul style="list-style-type: none"> <li>1 or 4 PCI</li> <li>1 PCI Express x16</li> <li>1 PCI Express x4</li> <li>1 PCI Express x1</li> </ul>  |
| Available removable media             | <ul style="list-style-type: none"> <li>CompactFlash</li> <li>Performance: None supplied, but can be added via the 6189V-ODD kit</li> <li>Advanced: DVD-RW/CD-RW</li> </ul>   | CompactFlash  | DVD-RW optical disk drive (ODD)  |
| I/O connectors                        | Up to 16; see pages 14 and 15.   | 9; see page 19.   | 9; see page 22.  |
| Available Windows operating systems   | <ul style="list-style-type: none"> <li>10 IoT Enterprise (64 bit)</li> <li>7 Professional (64 bit) SP1</li> <li>Embedded Standard 2009</li> <li>Embedded Standard 7 (64 bit) SP1</li> <li>Server 2008 R2 (64 bit) SP1<sup>(4)</sup></li> </ul>     | <ul style="list-style-type: none"> <li>10 IoT Enterprise (64 bit)</li> <li>7 Professional (64 bit) SP1</li> </ul>   | <ul style="list-style-type: none"> <li>10 IoT Enterprise (64 bit)</li> <li>8.1 Industry Pro (64 bit)</li> <li>7 Professional (64 bit) SP1</li> <li>Server 2012 R2 (64 bit)</li> <li>Server 2008 R2 (64 bit) SP1</li> </ul> |
| CompactFlash quantity/type            | 1/Type II  | 1/Type II   | None   |
| Power                                 | AC or DC   | DC  | AC   |
| Special requirements                  | Model dependent:<br>0...55 °C (32...131 °F) or<br>0...50 °C (32...122 °F)  | <ul style="list-style-type: none"> <li>Rated to 70 °C (158 °F) for c-UL-us hazardous, ATEX, and IECEx locations</li> <li>Preferred monitor: 6186M hazardous location monitor</li> </ul> | 0...50 °C (32...122 °F)  |
| Mount options                         | <ul style="list-style-type: none"> <li>Panel mount (display models)</li> <li>Wall (non-display models)</li> <li>Table<sup>(5)</sup></li> <li>Bookshelf<sup>(3)</sup></li> <li>Machine<sup>(3)</sup></li> </ul>                                     | <ul style="list-style-type: none"> <li>Panel mount (display models)</li> <li>Wall (non-display models)</li> </ul>   | 750R: machine mount<br>1400R: 4U rack mount  |

(1) Package option determines processor type, amount of RAM, type of removable media, number of external connectors or I/O, and type of expansion slots.

(2) Some Advanced models are also available in widescreen formats (16:9 aspect ratio), which have projective capacitive (PCAP) touch screens.

(3) Upgradeable to 1 PCI, 2 PCI, 2 PCIe x4, or 1 PCIe x4 + 1 PCI with separate PCI riser kits.

(4) Cat. nos. 6181P-00N3MS81DC and 6181P-00N3MS81AC ship with this Windows operating system, which are the only two models meant for RAID configuration.

(5) Applies only to series F NDM models. The bookshelf mount requires a bracket (cat. no. 6189V-BOOKBRKT), which is sold separately.

(6) Upgradeable to 256 GB MLC SSD (cat. no. 6189X-256GBSSD).

(7) RAID 1 enabled server models ship with two 500 GB HDDs.

(8) Available only as an accessory (cat. no. 6189V-35HDD1TB).

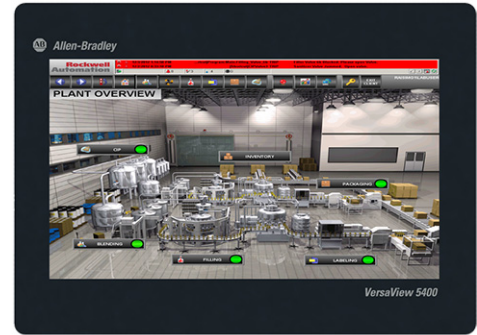
### VersaView 5200 Thin Clients and 5400 Industrial Computers

The Allen-Bradley VersaView 5000 portfolio is a line of industrial computers and thin clients that can be used for standalone machine-level and distributed HMI applications. The open architecture supports modern operating systems and various software applications, including FactoryTalk® View SE software for distributed applications. The line is fanless and lowers maintenance cost to reduce costly machine downtime.

The VersaView 5400 integrated display computers have an edge-to-edge, all glass, ten-point multi-touch screen that can also be operated with gloves. The touch screens are precalibrated so that recalibration is not necessary.

All VersaView non-display computers perform the same as the integrated display computers, in a compact design that supports multiple mounting options.

The VersaView 5200 ThinManager® Thin Clients work exclusively with ThinManager software for centrally-managed content delivery. Integrated display and non-display versions are available.



VersaView 5400 Industrial Display and Non-display Computers



VersaView 5200 Thin Clients



**Table 3 - Environmental Specifications, VersaView 5200 and 5400 Computers**

| Attribute                 | 5200 Display Thin Clients                        | 5400 Display Industrial Computers | 5200 Non-display Thin Clients     | 5400 Non-display Industrial Computers |
|---------------------------|--|-----------------------------------|-----------------------------------|---------------------------------------|
| Temperature, operating    | 0...50 °C (32...+122 °F)                         |                                   | -20...+60 °C (-4...+140 °F)       |                                       |
| Temperature, nonoperating | -20...+60 °C (-4...+140 °F)                      |                                   |                                   |                                       |
| Relative humidity         | 10...90% noncondensing                           |                                   |                                   |                                       |
| Shock, operating          | 15 g (1/2 sine, 11 ms)                           |                                   |                                   |                                       |
| Shock, nonoperating       | 30 g (1/2 sine, 11 ms)                           |                                   |                                   |                                       |
| Vibration, operating      | 0.012 in. p-p, 10...57 Hz, 2 g peak, 57...640 Hz |                                   |                                   |                                       |
| Vibration, nonoperating   | 0.012 in. p-p, 10...57 Hz, 2 g peak, 57...640 Hz |                                   |                                   |                                       |
| Altitude, operating       | Sea level to 3,000 m (9,842 ft)                  |                                   | Sea level to 2,000 m (6,562 ft)   |                                       |
| Altitude, nonoperating    | Sea level to 4,572 m (15,000 ft)                 |                                   | Sea level to 10,000 m (32,810 ft) |                                       |
| Enclosure ratings         | IEC 60529, IP65                                  |                                   | IP20                              |                                       |

**Table 4 - Power Specifications, VersaView 5200 Thin Client and 5400 Computer Models**

| Customer Loading       | Attribute                       | 5200 Thin Client Models |          |          |          |          | 5400 Industrial Computer Models |          |          |          |          |
|------------------------|---------------------------------|-------------------------|----------|----------|----------|----------|---------------------------------|----------|----------|----------|----------|
|                        |                                 | NDM                     | 12.1 in. | 15.6 in. | 18.5 in. | 21.5 in. | NDM                             | 12.1 in. | 15.6 in. | 18.5 in. | 21.5 in. |
| Typical <sup>(1)</sup> | Input power, (W) <sup>(3)</sup> | 4.5                     | 16.5     | 15.8     | 16.2     | 26       | 12.8                            | 24.5     | 23.8     | 24.2     | 34       |
|                        | Heat dissipation, (BTU/hr.)     | 15.3                    | 56.3     | 54       | 55.3     | 88.7     | 43.9                            | 83.6     | 81.2     | 82.6     | 126.2    |
| Maximum <sup>(2)</sup> | Input power, (W) <sup>(3)</sup> | 4.9                     | 28.7     | 27.3     | 27.8     | 37.4     | 19.7                            | 36.7     | 35.3     | 35.8     | 45.4     |
|                        | Heat dissipation, (BTU/hr.)     | 16.7                    | 98       | 93.1     | 94.8     | 127.6    | 67.2                            | 125.2    | 120.4    | 122.1    | 155      |

(1) Typical load is defined as the system is running Passmark Burn-in at 30% load with USB mouse and USB loop-backs, VGA and DisplayPort used, and both Ethernet ports being used.

(2) Maximum load is defined as the system is running Passmark Burn-in at 100% load with USB mouse, USB dummy loads, VGA and DisplayPort used, and both Ethernet ports being used.

(3) Input voltage is 24V DC. Wattage values are measurements, and can differ from maximum ratings required by UL.

| Attribute        | NDM (non-display)   | 12.1 in. Display | 15.6 in. Display | 18.5 in. Display | 21.5 in. Display |
|------------------|---------------------|------------------|------------------|------------------|------------------|
| Input voltage    | 12...24V DC         | 24V DC           |                  |                  |                  |
| Input power, max | 4.25...2.125 A SELV | 3 A SELV/LPS     |                  | 3.5 A SELV/LPS   |                  |

**Table 5 - Certifications, VersaView 5200 and 5400 Computers**

For the most current certification information, visit the Rockwell Automation Literature Library website at <https://www.rockwellautomation.com/global/literature-library/overview.page>. Use 6200-CT as your search criteria.

| Certification                     | All VersaView Models   |                      |   |   |  |  |  |  |                   |                      |                      |   |  |  |               |   |   |   |   |   |   |               |   |   |   |   |   |   |                                |   |   |   |   |   |   |                         |   |   |   |   |   |   |                        |   |   |   |   |   |   |                      |   |   |   |   |   |   |                                   |   |   |   |   |   |   |               |   |   |   |   |   |   |
|-----------------------------------|--|----------------------|---|---|--|--|--|--|-------------------|----------------------|----------------------|---|--|--|---------------|---|---|---|---|---|---|---------------|---|---|---|---|---|---|--------------------------------|---|---|---|---|---|---|-------------------------|---|---|---|---|---|---|------------------------|---|---|---|---|---|---|----------------------|---|---|---|---|---|---|-----------------------------------|---|---|---|---|---|---|---------------|---|---|---|---|---|---|
| c-UL-us                           | For details, see <a href="#">6200-CT003</a> and <a href="#">6200-CT011</a> .   |                      |   |   |  |  |  |  |                   |                      |                      |   |  |  |               |   |   |   |   |   |   |               |   |   |   |   |   |   |                                |   |   |   |   |   |   |                         |   |   |   |   |   |   |                        |   |   |   |   |   |   |                      |   |   |   |   |   |   |                                   |   |   |   |   |   |   |               |   |   |   |   |   |   |
| CE                                | For details, see <a href="#">6200-CT002</a> and <a href="#">6200-CT009</a> .   |                      |   |   |  |  |  |  |                   |                      |                      |   |  |  |               |   |   |   |   |   |   |               |   |   |   |   |   |   |                                |   |   |   |   |   |   |                         |   |   |   |   |   |   |                        |   |   |   |   |   |   |                      |   |   |   |   |   |   |                                   |   |   |   |   |   |   |               |   |   |   |   |   |   |
| EAC                               | For details, see <a href="#">6200-CT005</a> .  |                      |   |   |  |  |  |  |                   |                      |                      |   |  |  |               |   |   |   |   |   |   |               |   |   |   |   |   |   |                                |   |   |   |   |   |   |                         |   |   |   |   |   |   |                        |   |   |   |   |   |   |                      |   |   |   |   |   |   |                                   |   |   |   |   |   |   |               |   |   |   |   |   |   |
| FCC                               | Class A emissions  |                      |   |   |  |  |  |  |                   |                      |                      |   |  |  |               |   |   |   |   |   |   |               |   |   |   |   |   |   |                                |   |   |   |   |   |   |                         |   |   |   |   |   |   |                        |   |   |   |   |   |   |                      |   |   |   |   |   |   |                                   |   |   |   |   |   |   |               |   |   |   |   |   |   |
| KC                                | For details, see <a href="#">6200-CT001</a> and <a href="#">6200-CT012</a> .   |                      |   |   |  |  |  |  |                   |                      |                      |   |  |  |               |   |   |   |   |   |   |               |   |   |   |   |   |   |                                |   |   |   |   |   |   |                         |   |   |   |   |   |   |                        |   |   |   |   |   |   |                      |   |   |   |   |   |   |                                   |   |   |   |   |   |   |               |   |   |   |   |   |   |
| RCM                               | For details, see <a href="#">6200-CT004</a> and <a href="#">6200-CT010</a> .   |                      |   |   |  |  |  |  |                   |                      |                      |   |  |  |               |   |   |   |   |   |   |               |   |   |   |   |   |   |                                |   |   |   |   |   |   |                         |   |   |   |   |   |   |                        |   |   |   |   |   |   |                      |   |   |   |   |   |   |                                   |   |   |   |   |   |   |               |   |   |   |   |   |   |
| RoHS                              | <p>European RoHS 2011/65/EU. For more details, see <a href="#">6200-CT002</a>.<br/>China RoHS:</p> <table border="1"> <thead> <tr> <th rowspan="2">部件名称<br/>Part Name</th> <th colspan="6">有毒有害物质或元素<br/>Toxic or Hazardous Substances and Elements</th> </tr> <tr> <th>铅<br/>Lead<br/>(Pb)</th> <th>汞<br/>Mercury<br/>(Hg)</th> <th>镉<br/>Cadmium<br/>(Cd)</th> <th>六价铬<br/>Hexavalent<br/>Chromium<br/>(Cr(VI))</th> <th>多溴联苯<br/>Polybrominated<br/>Biphenyls<br/>(PBB)</th> <th>多溴二苯醚<br/>Polybrominated<br/>Diphenyl Ethers<br/>(PBDE)</th> </tr> </thead> <tbody> <tr> <td>壳体<br/>Housing</td> <td>X</td> <td>0</td> <td>0</td> <td>0</td> <td>0</td> <td>0</td> </tr> <tr> <td>显示<br/>Display</td> <td>X</td> <td>0</td> <td>0</td> <td>0</td> <td>0</td> <td>0</td> </tr> <tr> <td>印刷电路板<br/>Printed Circuit Board</td> <td>X</td> <td>0</td> <td>0</td> <td>0</td> <td>0</td> <td>0</td> </tr> <tr> <td>金属螺帽<br/>Metal Fasteners</td> <td>X</td> <td>0</td> <td>0</td> <td>0</td> <td>0</td> <td>0</td> </tr> <tr> <td>电缆组装<br/>Cable Assembly</td> <td>X</td> <td>0</td> <td>0</td> <td>0</td> <td>0</td> <td>0</td> </tr> <tr> <td>风扇组装<br/>Fan Assembly</td> <td>X</td> <td>0</td> <td>0</td> <td>0</td> <td>0</td> <td>0</td> </tr> <tr> <td>电力供应组装<br/>Power Supply Assemblies</td> <td>X</td> <td>0</td> <td>0</td> <td>0</td> <td>0</td> <td>0</td> </tr> <tr> <td>电池<br/>Battery</td> <td>0</td> <td>0</td> <td>0</td> <td>0</td> <td>0</td> <td>0</td> </tr> </tbody> </table> <p>本表格依据SJ/T11364 的规定编制。<br/>This table is made per guidance of SJ/T 11364.</p> <p>0: 表示该有害物质在该部件所有均质材料中的含量均在GB/T26572 规定的限量要求以下。<br/>0: Indicates that this toxic or hazardous substance contained in all of the homogeneous materials for the part is below the limit requirement in GB/T 26572.</p> <p>X: 表示该有害物质至少在该部件的某一均质材料中的含量超出GB/T26572 规定的限量要求。<br/>求。(企业可在此处, 根据实际情况对上表中打“X”的技术原因进行进一步说明。)<br/>X: Indicates that this toxic or hazardous substance contained in at least one of the homogeneous materials for the part is below the limit requirement in GB/T 26572.</p> <p>Turkey RoHS (EEE Yönetmeliğine Uygunur. In Conformity with the EEE Regulation)</p> | 部件名称<br>Part Name    | 有毒有害物质或元素<br>Toxic or Hazardous Substances and Elements |   |  |  |  |  | 铅<br>Lead<br>(Pb) | 汞<br>Mercury<br>(Hg) | 镉<br>Cadmium<br>(Cd) | 六价铬<br>Hexavalent<br>Chromium<br>(Cr(VI)) | 多溴联苯<br>Polybrominated<br>Biphenyls<br>(PBB) | 多溴二苯醚<br>Polybrominated<br>Diphenyl Ethers<br>(PBDE) | 壳体<br>Housing | X | 0 | 0 | 0 | 0 | 0 | 显示<br>Display | X | 0 | 0 | 0 | 0 | 0 | 印刷电路板<br>Printed Circuit Board | X | 0 | 0 | 0 | 0 | 0 | 金属螺帽<br>Metal Fasteners | X | 0 | 0 | 0 | 0 | 0 | 电缆组装<br>Cable Assembly | X | 0 | 0 | 0 | 0 | 0 | 风扇组装<br>Fan Assembly | X | 0 | 0 | 0 | 0 | 0 | 电力供应组装<br>Power Supply Assemblies | X | 0 | 0 | 0 | 0 | 0 | 电池<br>Battery | 0 | 0 | 0 | 0 | 0 | 0 |
| 部件名称<br>Part Name                 | 有毒有害物质或元素<br>Toxic or Hazardous Substances and Elements  |                      |   |   |  |  |  |  |                   |                      |                      |   |  |  |               |   |   |   |   |   |   |               |   |   |   |   |   |   |                                |   |   |   |   |   |   |                         |   |   |   |   |   |   |                        |   |   |   |   |   |   |                      |   |   |   |   |   |   |                                   |   |   |   |   |   |   |               |   |   |   |   |   |   |
|                                   | 铅<br>Lead<br>(Pb)  | 汞<br>Mercury<br>(Hg) | 镉<br>Cadmium<br>(Cd)                                    | 六价铬<br>Hexavalent<br>Chromium<br>(Cr(VI)) | 多溴联苯<br>Polybrominated<br>Biphenyls<br>(PBB) | 多溴二苯醚<br>Polybrominated<br>Diphenyl Ethers<br>(PBDE) |  |  |                   |                      |                      |   |  |  |               |   |   |   |   |   |   |               |   |   |   |   |   |   |                                |   |   |   |   |   |   |                         |   |   |   |   |   |   |                        |   |   |   |   |   |   |                      |   |   |   |   |   |   |                                   |   |   |   |   |   |   |               |   |   |   |   |   |   |
| 壳体<br>Housing                     | X  | 0                    | 0   | 0   | 0  | 0  |  |  |                   |                      |                      |   |  |  |               |   |   |   |   |   |   |               |   |   |   |   |   |   |                                |   |   |   |   |   |   |                         |   |   |   |   |   |   |                        |   |   |   |   |   |   |                      |   |   |   |   |   |   |                                   |   |   |   |   |   |   |               |   |   |   |   |   |   |
| 显示<br>Display                     | X  | 0                    | 0   | 0   | 0  | 0  |  |  |                   |                      |                      |   |  |  |               |   |   |   |   |   |   |               |   |   |   |   |   |   |                                |   |   |   |   |   |   |                         |   |   |   |   |   |   |                        |   |   |   |   |   |   |                      |   |   |   |   |   |   |                                   |   |   |   |   |   |   |               |   |   |   |   |   |   |
| 印刷电路板<br>Printed Circuit Board    | X  | 0                    | 0   | 0   | 0  | 0  |  |  |                   |                      |                      |   |  |  |               |   |   |   |   |   |   |               |   |   |   |   |   |   |                                |   |   |   |   |   |   |                         |   |   |   |   |   |   |                        |   |   |   |   |   |   |                      |   |   |   |   |   |   |                                   |   |   |   |   |   |   |               |   |   |   |   |   |   |
| 金属螺帽<br>Metal Fasteners           | X  | 0                    | 0   | 0   | 0  | 0  |  |  |                   |                      |                      |   |  |  |               |   |   |   |   |   |   |               |   |   |   |   |   |   |                                |   |   |   |   |   |   |                         |   |   |   |   |   |   |                        |   |   |   |   |   |   |                      |   |   |   |   |   |   |                                   |   |   |   |   |   |   |               |   |   |   |   |   |   |
| 电缆组装<br>Cable Assembly            | X  | 0                    | 0   | 0   | 0  | 0  |  |  |                   |                      |                      |   |  |  |               |   |   |   |   |   |   |               |   |   |   |   |   |   |                                |   |   |   |   |   |   |                         |   |   |   |   |   |   |                        |   |   |   |   |   |   |                      |   |   |   |   |   |   |                                   |   |   |   |   |   |   |               |   |   |   |   |   |   |
| 风扇组装<br>Fan Assembly              | X  | 0                    | 0   | 0   | 0  | 0  |  |  |                   |                      |                      |   |  |  |               |   |   |   |   |   |   |               |   |   |   |   |   |   |                                |   |   |   |   |   |   |                         |   |   |   |   |   |   |                        |   |   |   |   |   |   |                      |   |   |   |   |   |   |                                   |   |   |   |   |   |   |               |   |   |   |   |   |   |
| 电力供应组装<br>Power Supply Assemblies | X  | 0                    | 0   | 0   | 0  | 0  |  |  |                   |                      |                      |   |  |  |               |   |   |   |   |   |   |               |   |   |   |   |   |   |                                |   |   |   |   |   |   |                         |   |   |   |   |   |   |                        |   |   |   |   |   |   |                      |   |   |   |   |   |   |                                   |   |   |   |   |   |   |               |   |   |   |   |   |   |
| 电池<br>Battery                     | 0  | 0                    | 0   | 0   | 0  | 0  |  |  |                   |                      |                      |   |  |  |               |   |   |   |   |   |   |               |   |   |   |   |   |   |                                |   |   |   |   |   |   |                         |   |   |   |   |   |   |                        |   |   |   |   |   |   |                      |   |   |   |   |   |   |                                   |   |   |   |   |   |   |               |   |   |   |   |   |   |

**Table 6 - Technical Specifications, VersaView 5200 Thin Client Models**

| Attribute                                     | 5200 Thin Client Models  |   |   |  |  |                                 |                                  |                                  |
|---|--|---|---|--|--|---------------------------------|----------------------------------|----------------------------------|
|   | Non-Display  |   |   |  | Display  |                                 |                                  |                                  |
|   | Cat. No. 6200T-BA  | Cat. No. 6200T-NA   | Cat. No. 6200T-KB   | Cat. Nos. 6200T-RC & -RE   | 12.1 in. Display   | 15.6 in. Display                | 18.5 in. Display                 | 21.5 in. Display                 |
| Display type                                  | —  |   |   |  | Color active-matrix TFT flat panel   |                                 |                                  |                                  |
| Display size, diagonal                        |  |   |   |  | 12.1 in. (307 mm)  | 15.6 in. (396 mm)               | 18.5 in. (470 mm)                | 21.5 in. (546 mm)                |
| Display aspect ratio                          |  |   |   |  | 16:9   |                                 |                                  |                                  |
| Display resolution, max                       |  |   |   |  | 1280 x 800   | 1366 x 768                      | 1366 x 768                       | 1920 x 1080                      |
| Response time, ms                             |  |   |   |  | 10   | 8                               | 5                                | 25                               |
| Touch screen                                  |  |   |   |  | PCAP multi-touch   |                                 |                                  |                                  |
| Bezel   |  |   |   |  | Edge-to-edge glass with aluminum ring  |                                 |                                  |                                  |
| Available processors                          | Intel Atom E3815, 1.46 GHz   |   | Intel Atom x7-E3950, 1.60 GHz   | Intel Core i5-7500T, 2.70 GHz  | Intel Atom E3815, 1.46 GHz   |                                 |                                  |                                  |
| CPU core                                      | Single   |   | Quad  |  | Single   |                                 |                                  |                                  |
| RAM<br>• Type<br>• Supplied/max (GB)          | DDR3 2/2   | DDR3 <sup>(1)</sup> 1/1   | DDR3 4/4  |  | DDR3, SO-DIMM 4/4  |                                 |                                  |                                  |
| Available storage drives                      |  |   |   |  |  |                                 |                                  |                                  |
| Expansion slots                               |  |   |   |  |  |                                 |                                  |                                  |
| Available optical storage device              |  |   |   |  |  |                                 |                                  |                                  |
| CompactFlash type                             |  |   |   |  |  |                                 |                                  |                                  |
| SD slot                                       | —  |   |   |  | 1 full-size SDHC   |                                 |                                  |                                  |
| I/O connections                               | <ul style="list-style-type: none"> <li>1 x USB 3.0 Type A port</li> <li>3 x USB 2.0 Type A ports</li> <li>1 x Ethernet RJ45 LAN ports, 1 Gb each</li> <li>1 x analog audio output</li> </ul> | <ul style="list-style-type: none"> <li>1 x USB 3.0 Type A port</li> <li>2 x USB 2.0 Type A ports</li> <li>1 x RS-232, DB9 port</li> <li>2 x Ethernet RJ45 LAN ports, 1 Gb each</li> </ul> | <ul style="list-style-type: none"> <li>4 x USB 3.0 Type A port</li> <li>2 x USB 2.0 Type A ports</li> <li>1 x RS-232, DB9 port</li> <li>2 x Ethernet RJ45 LAN ports, 1 Gb each</li> </ul> | <ul style="list-style-type: none"> <li>2 x USB 3.0 Type A port</li> <li>4 x USB 2.0 Type A ports<sup>(2)</sup></li> <li>2 x RS-232, DB9 port</li> <li>3 x Ethernet RJ45 LAN ports, 1 Gb each</li> <li>1 x analog audio input<sup>(3)</sup></li> <li>1 x analog audio output</li> <li>1 x microphone input<sup>(3)</sup></li> </ul> | <ul style="list-style-type: none"> <li>1 x RS-232, DB9 port</li> <li>2 x Ethernet RJ45 LAN ports, 1 Gb each</li> </ul> |                                 |                                  |                                  |
| External video connections/<br>max resolution | <ul style="list-style-type: none"> <li>1 x DisplayPort/2560 x 1600</li> </ul>  | <ul style="list-style-type: none"> <li>1 x DisplayPort/2560 x 1600<sup>(4)</sup></li> <li>1 x VGA/1920 x 1440</li> </ul>  | <ul style="list-style-type: none"> <li>1 x DisplayPort/3840 x 2160<sup>(5)</sup></li> <li>1 x HDMI/3840 x 2160<sup>(4)</sup></li> </ul>   | <ul style="list-style-type: none"> <li>3 x full-sized DisplayPort/3840 x 2160<sup>(4)</sup></li> <li>4 x mini-DisplayPort/3840 x 2160<sup>(4)(6)</sup></li> </ul>  | 1 x DisplayPort/2560 x 1600  |                                 |                                  |                                  |
| Available operating systems                   | ThinManager ready  |   |   |  |  |                                 |                                  |                                  |
| Weight, approx                                | 0.95 kg (2.1 lbs)  | 1.78 kg (3.93 lbs)  | 1.76 kg (3.88 lbs)  | 6200T-RC: 5.22 kg (11.5 lbs)<br>6200T-RE: 4.96 kg (10.93 lbs)  | 5.0 kg (11.02 lbs)   | 5.9 kg (13 lbs)                 | 8.3 kg (18.29 lbs)               | 9.5 kg (20.94 lbs)               |
| Dimensions, approx                            | See <a href="#">Figure 1 on page 9</a>   |   |   |  | See <a href="#">Figure 2 on page 10</a>  |                                 |                                  |                                  |
| Cutout dimensions                             | —  |   |   |  | 250 x 312 mm (9.84 x 12.28 in.)  | 282 x 398 mm (11.1 x 15.67 in.) | 321 x 464 mm (12.64 x 18.27 in.) | 357 x 529 mm (14.06 x 20.83 in.) |
| Mounting options <sup>(7)</sup>               | <ul style="list-style-type: none"> <li>Bookshelf</li> <li>DIN rail</li> <li>VESA</li> </ul>  | <ul style="list-style-type: none"> <li>Bookshelf</li> <li>DIN rail</li> <li>Legacy</li> </ul>   | <ul style="list-style-type: none"> <li>Machine</li> <li>VESA</li> </ul>   | <ul style="list-style-type: none"> <li>Machine</li> </ul>  | <ul style="list-style-type: none"> <li>Panel (IP65)</li> <li>VESA (IP20)</li> </ul>                                    |                                 |                                  |                                  |

(1) Soldered.

(2) Two USB ports are on the front and two are on the rear of these Thin Client models.

(3) Audio input is not supported currently with ThinManager software.

(4) Audio output/line out supported.

(5) These ports support 4K resolution.

(6) Only cat. no. 6200T-RE includes these four mini display ports; cat. no. 6200T-RC does not.

(7) All non-display 5200 Thin Client models are shipped with a bookshelf mounting bracket installed, except for cat. nos. 6200T-RC and 6200T-RE. All other mounting methods require an optional mounting bracket, which must be ordered separately.

**Table 7 - Technical Specifications, VersaView 5400 Computers**

| Attribute                                     | 5400 Industrial Computer Models  |   |                                    |                                     |                                     |
|---|--|---|------------------------------------|-------------------------------------|-------------------------------------|
|   | Non-display  | 12.1 in. Display  | 15.6 in. Display                   | 18.5 in. Display                    | 21.5 in. Display                    |
| Display type                                  | —  | Color active-matrix TFT flat panel  |                                    |                                     |                                     |
| Display size, diagonal                        |  | 12.1 in.<br>(307 mm)  | 15.6 in.<br>(396 mm)               | 18.5 in.<br>(470 mm)                | 21.5 in.<br>(546 mm)                |
| Display aspect ratio                          |  | 16:9  |                                    |                                     |                                     |
| Display resolution, max                       |  | 1280 x 800  | 1366 x 768                         | 1366 x 768                          | 1920 x 1080                         |
| Response time, ms                             |  | 10  | 8                                  | 5                                   | 25                                  |
| Touch screen                                  |  | PCAP multi-touch  |                                    |                                     |                                     |
| Bezel   |  | Edge-to-edge glass with aluminum ring   |                                    |                                     |                                     |
| Available processors                          | Intel quad-core Atom E3845, 1.91 GHz   |   |                                    |                                     |                                     |
| RAM<br>• Type<br>• Supplied/max (GB)          | DDR3 <sup>(1)</sup><br>4/4   | DDR3, SO-DIMM<br>4/4  |                                    |                                     |                                     |
| Available storage drives                      | 1 x 128 GB, 2.5 in. SATA MLC SSD   |   |                                    |                                     |                                     |
| Expansion slots                               |  |   |                                    |                                     |                                     |
| Available optical storage device              | —  |   |                                    |                                     |                                     |
| CompactFlash type                             |  |   |                                    |                                     |                                     |
| SD slot                                       | 1 full-size SDHC   |   |                                    |                                     |                                     |
| I/O connections                               | <ul style="list-style-type: none"> <li>• 1 x RS-232, DB9 port</li> <li>• 2 x Ethernet RJ45 LAN ports, 1 Gb each</li> </ul>   |   |                                    |                                     |                                     |
| External video connections/<br>max resolution | <ul style="list-style-type: none"> <li>• 1 x DisplayPort/<br/>2560 x 1600<sup>(2)</sup></li> <li>• 1 x VGA/1920 x 1440</li> </ul>  | 1 x DisplayPort/2560 x 1600   |                                    |                                     |                                     |
| Available operating systems                   | <ul style="list-style-type: none"> <li>• Windows 10 IoT Enterprise (64 bit)<sup>(2)</sup></li> <li>• Windows 7 Pro (64 bit) SP1<sup>(3)</sup></li> <li>• WES 7 (64 bit)</li> </ul> |   |                                    |                                     |                                     |
| Weight, approx                                | 1.78 kg (3.93 lbs)   | 5.0 kg (11.02 lbs)  | 5.9 kg (13 lbs)                    | 8.3 kg (18.29 lbs)                  | 9.5 kg (20.94 lbs)                  |
| Dimensions, approx                            | See <a href="#">Figure 1 on page 9</a> See <a href="#">Figure 2 on page 10</a>   |   |                                    |                                     |                                     |
| Cutout dimensions                             | —  | 250 x 312 mm<br>(9.84 x 12.28 in.)  | 282 x 398 mm<br>(11.1 x 15.67 in.) | 321 x 464 mm<br>(12.64 x 18.27 in.) | 357 x 529 mm<br>(14.06 x 20.83 in.) |
| Mounting options <sup>(4)</sup>               | <ul style="list-style-type: none"> <li>• Bookshelf</li> <li>• DIN rail</li> <li>• VESA</li> <li>• Legacy</li> <li>• Machine</li> </ul>   | <ul style="list-style-type: none"> <li>• Panel (IP65)</li> <li>• VESA (IP20)</li> </ul> |                                    |                                     |                                     |

(1) Soldered.

(2) Audio output/line out supported.

(3) 32 bit images for these Windows operating systems are available from the Rockwell Automation Product Compatibility and Download Center (PCDC) website at <https://compatibility.rockwellautomation.com/Pages/home.aspx>.

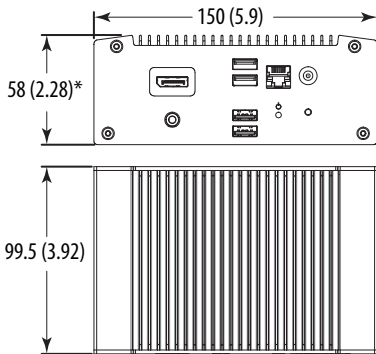
(4) All non-display 5400 computer models are shipped with a bookshelf mounting bracket installed. All other mounting methods require an optional mounting bracket, which must be ordered separately.



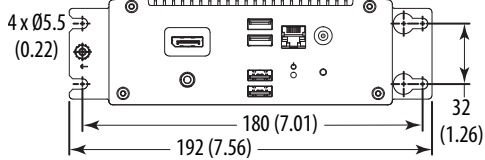
**Figure 1 - VersaView 5200 and 5400 Non-display Computer Dimensions**

**Cat. No. 6200T-BA**

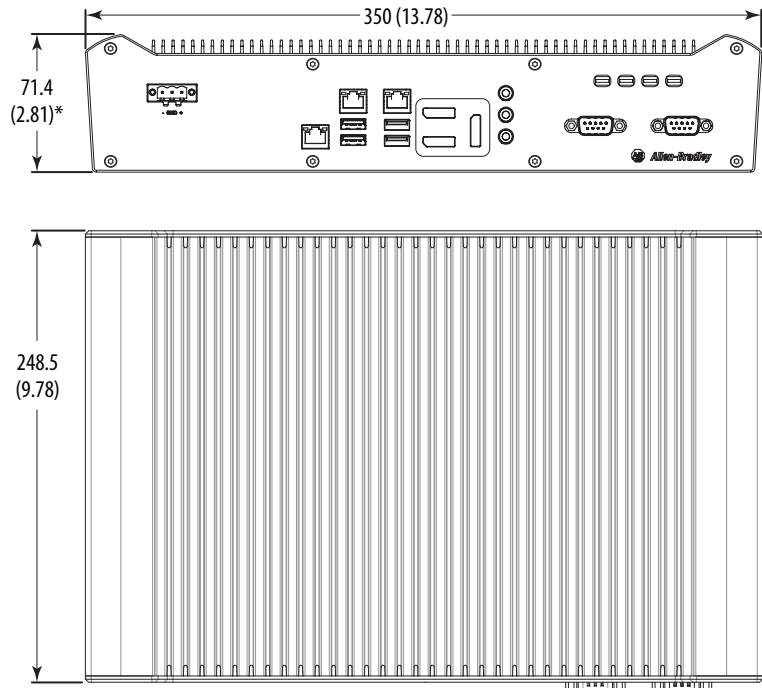
Without the Factory-installed Vertical Mounting Plate



With the Factory-installed Vertical Mounting Plate

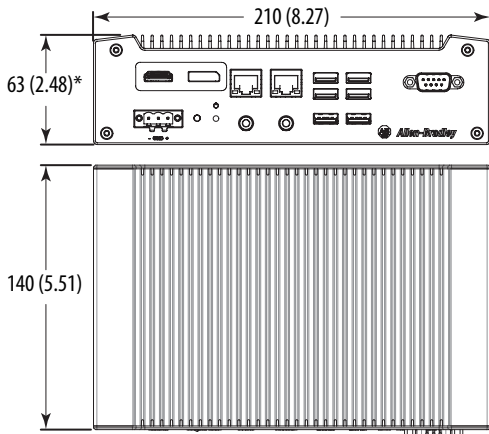


**Cat. Nos. 6200T-RC and 6200T-RE**

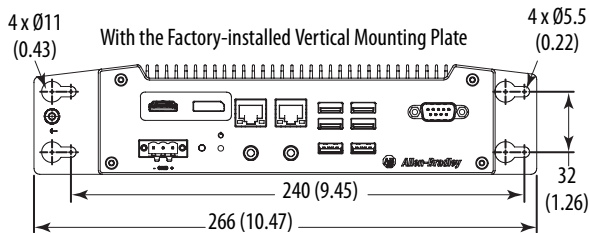


**Cat. Nos. 6200T-KB, 6200T-NA, and 6200P-NS3x1**  
(cat. no. 6200T-KB shown in illustration)

Without the Factory-installed Vertical Mounting Plate

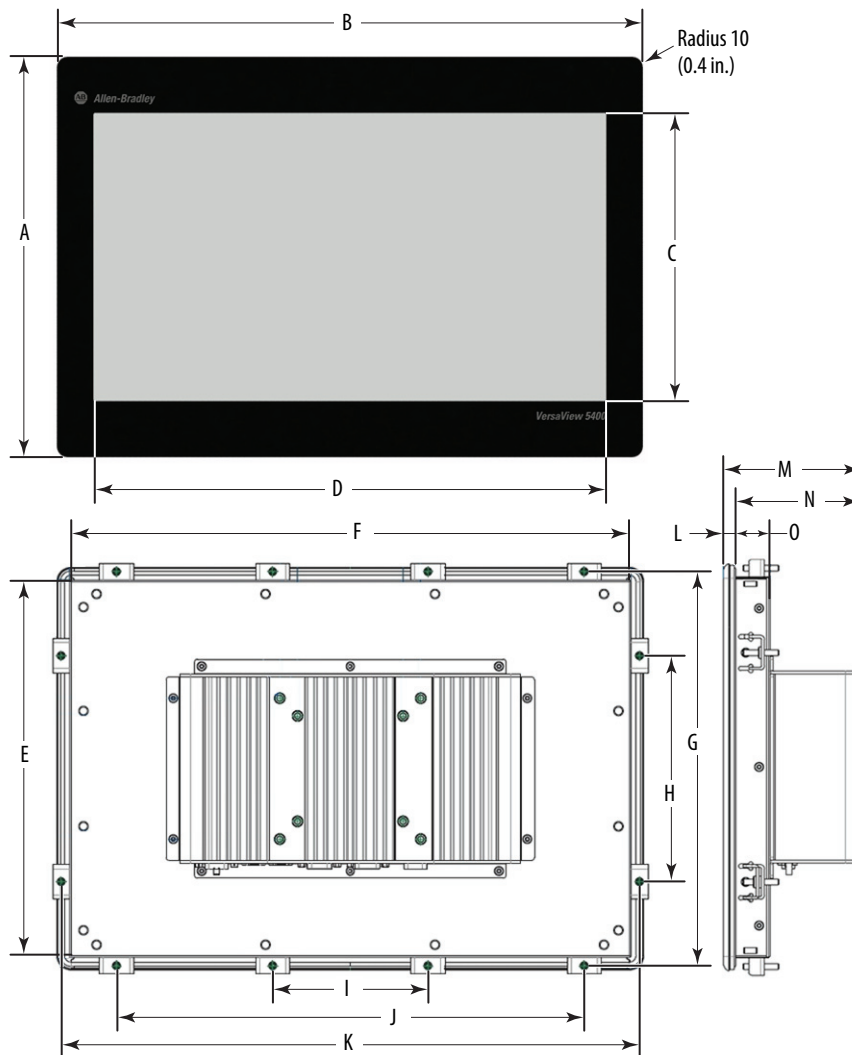


With the Factory-installed Vertical Mounting Plate



\* Add 2.6 mm (0.1 in.) to the height if you install the supplied rubber foot pads.

Figure 2 - VersaView 5200 and 5400 Integrated Display Computer Dimensions



| Display Size (in.) | Dimensions, mm (in.) |                |                 |                  |                |                |                |               |               |                |                 |                  |                  |                |                |
|--------------------|----------------------|----------------|-----------------|------------------|----------------|----------------|----------------|---------------|---------------|----------------|-----------------|------------------|------------------|----------------|----------------|
|                    | A                    | B              | C               | D                | E              | F              | G              | H             | I             | J              | K               | L <sup>(1)</sup> | M <sup>(2)</sup> | N              | O              |
| 12.1               | 266<br>(10.47)       | 328<br>(12.91) | 163.2<br>(6.43) | 261<br>(10.28)   | 248<br>(9.76)  | 310<br>(12.2)  | 260<br>(10.24) | 125<br>(4.92) | 200<br>(7.87) | —              | 322.5<br>(12.7) | 7.6<br>(0.3)     | 97.1<br>(3.82)   | 89.5<br>(3.52) | 24.5<br>(0.97) |
| 15.6               | 298<br>(11.73)       | 414<br>(16.3)  | 193.5<br>(7.61) | 344.2<br>(13.55) | 280<br>(11)    | 396<br>(15.6)  | 292<br>(11.5)  | 160<br>(6.3)  | 110<br>(4.33) | 330<br>(13)    | 408<br>(16)     |                  |                  |                |                |
| 18.5               | 337<br>(13.27)       | 480<br>(18.9)  | 230<br>(9.07)   | 410<br>(16.13)   | 319<br>(12.56) | 462<br>(18.19) | 331<br>(13.03) | 250<br>(9.84) | 130<br>(5.12) | 390<br>(15.35) | 474<br>(18.66)  |                  |                  |                |                |
| 21.5               | 373<br>(14.68)       | 545<br>(21.46) | 268<br>(10.55)  | 476.6<br>(18.76) | 355<br>(14)    | 527<br>(20.75) | 367<br>(14.45) | 250<br>(9.84) | 150<br>(5.91) | 450<br>(17.71) | 539<br>(21.22)  |                  |                  |                |                |

(1) Metric dimension is ±0.5, and the English dimension is ±0.02.  
 (2) Metric dimension is ±1.0, and the English dimension is ±0.04.

## 6181P Integrated Display and Non-display Computers

6181P integrated display and non-display industrial computers serve as the foundation for visualization control with a variety of display sizes, models, and mounting methods. Display sizes are offered in both standard (4:3 and 5:4) format and widescreen (16:9) format. All 6181P computer models feature solid-state drives for performance in storage reliability. Various mounting methods are possible with these computers in landscape and portrait orientations, as well as a space-saving 'bookshelf' mounting option on non-display versions.

The complete Rockwell Automation advantage includes seamless integration with the full suite of Rockwell Software® solutions, including Integrated Architecture® and FactoryTalk View software.



6181P Display Model



6181P Non-display Model

**Table 8 - Environmental Specifications, 6181P Integrated Display and Non-display Computers**

| Attribute                                 | Advanced  | Performance  |
|---|---|--|
| Temperature, operating                    |   |  |
| • NDM (non-display)                       |   | 0...55 °C (32...131 °F)  |
| • 1200                                    |   | 0...55 °C (32...131 °F)  |
| • 1500                                    | 0...55 °C (32...131 °F)<br>0...50 °C (32...122 °F) <sup>(3)</sup> | 0...55 °C (32...131 °F)  |
| • 1700                                    | 0...55 °C (32...131 °F)   | 0...55 °C (32...131 °F)  |
| • 1900                                    | 0...50 °C (32...122 °F)   | 0...50 °C (32...122 °F)  |
| Temperature, nonoperating                 | -20...+60 °C (-4...+140 °F)                                       |  |
| Relative humidity                         | 10...90% noncondensing at 50%                                     |  |
| Shock, operating <sup>(1)(2)</sup>        | 15 g (1/2 sine, 11 ms)  |  |
| Shock, nonoperating <sup>(1)(2)</sup>     | 30 g (1/2 sine, 11 ms)  |  |
| Vibration, operating <sup>(1)(2)</sup>    | 0.012 in. p-p, 10...57 Hz, 2 g peak, 57...640 Hz                  |  |
| Vibration, nonoperating <sup>(1)(2)</sup> | 0.018 in. p-p, 10...57 Hz, 3 g peak (57...640 Hz)                 |  |
| Altitude, operating                       | Sea level to 2,000 m (6,562 ft)                                   |  |
| Altitude, nonoperating                    | Sea level to 12,192 m (40,000 ft)                                 |  |
| Enclosure ratings                         |   |  |
| • With aluminum bezels                    | UL50 Type 1, 12, and 4 (indoor use only);<br>IEC 60529, IP66      | • UL50 Type 1, 12, and 4 (indoor use only);<br>IEC 60529, IP66     |
| • With stainless steel bezels             |   | • UL50 Type 1, 12, 4, and 4X (indoor use only);<br>IEC 60529, IP66 |

(1) The optical disk drive is considered a maintenance device. Do not operate the drive in environments with the shock and vibration levels listed. Do not operate the drive in temperatures above 45 °C (113 °F).

(2) Does not apply to bookshelf-mounted non-display computers.

(3) This temperature range applies only to widescreen models.

**Table 9 - Power Specifications, 6181P Integrated Display and Non-display Computers**

| Customer Loading | Attribute                   | All 6181P Performance Models |        |        |        |        | All 6181P Advanced Models |                   |        |        |                   |        |
|------------------|-----------------------------|------------------------------|--------|--------|--------|--------|---------------------------|-------------------|--------|--------|-------------------|--------|
|                  |                             | NDM                          | 12 in. | 15 in. | 17 in. | 19 in. | NDM                       | 15 in. widescreen | 15 in. | 17 in. | 19 in. widescreen | 19 in. |
| Typical          | Input power, (W)            | 29                           | 35     | 36     | 48     | 56     | 40                        | 48                | 47     | 58     | 52                | 66     |
|                  | Heat dissipation, (BTU/hr.) | 98                           | 119    | 123    | 164    | 191    | 136                       | 164               | 160    | 198    | 177               | 225    |
| Maximum          | Input power, (W)            | 113                          | 120    | 122    | 136    | 144    | 140                       | 148               | 147    | 158    | 151               | 167    |
|                  | Heat dissipation, (BTU/hr.) | 386                          | 409    | 416    | 464    | 491    | 478                       | 505               | 502    | 539    | 515               | 570    |

| Attribute     | All 6181P Models                          |
|---------------|---|
| AC models     |   |
| Input voltage | 100...240V, autoranging                   |
| Input power   | 100...240V; 1.8...0.75 A 50/60 Hz; 180VA  |
| DC models     |   |
| Input voltage | 18...32V                                  |
| Input power   | 18...32V; 10.0...5.63 A; 180 W SELV       |
| Ratings, max  |   |
| USB 3.0 port  | 900 mA <sup>(1)</sup>                     |
| PCIe slot     | 12 W internal, 28 W external (40 W total) |

(1) Per port. Maximum of two ports loaded at 900 mA and all other ports at 500 mA.

**Table 10 - Certifications, 6181P Integrated Display and Non-display Computers**

For the most current certification information, visit the Rockwell Automation Literature Library website at <https://www.rockwellautomation.com/global/literature-library/overview.page>. Use 6181P-CT as your search criteria.

| Certification                     | Advanced and Performance Models   |                   |   |                                     |  |  |  |  |                |                   |                   |                                     |  |  |               |   |   |   |   |   |   |               |   |   |   |   |   |   |                                |   |   |   |   |   |   |                         |   |   |   |   |   |   |                        |   |   |   |   |   |   |                      |   |   |   |   |   |   |                                   |   |   |   |   |   |   |               |   |   |   |   |   |   |
|-----------------------------------|---|-------------------|---|-------------------------------------|--|--|--|--|----------------|-------------------|-------------------|-------------------------------------|--|--|---------------|---|---|---|---|---|---|---------------|---|---|---|---|---|---|--------------------------------|---|---|---|---|---|---|-------------------------|---|---|---|---|---|---|------------------------|---|---|---|---|---|---|----------------------|---|---|---|---|---|---|-----------------------------------|---|---|---|---|---|---|---------------|---|---|---|---|---|---|
| c-UL-us                           | For details, see <a href="#">6181P-CT007</a> .  |                   |   |                                     |  |  |  |  |                |                   |                   |                                     |  |  |               |   |   |   |   |   |   |               |   |   |   |   |   |   |                                |   |   |   |   |   |   |                         |   |   |   |   |   |   |                        |   |   |   |   |   |   |                      |   |   |   |   |   |   |                                   |   |   |   |   |   |   |               |   |   |   |   |   |   |
| CE                                | For details, see <a href="#">6181P-CT006</a> .  |                   |   |                                     |  |  |  |  |                |                   |                   |                                     |  |  |               |   |   |   |   |   |   |               |   |   |   |   |   |   |                                |   |   |   |   |   |   |                         |   |   |   |   |   |   |                        |   |   |   |   |   |   |                      |   |   |   |   |   |   |                                   |   |   |   |   |   |   |               |   |   |   |   |   |   |
| EAC (TR CU)                       | Low Voltage TR CU 004/2011<br>EMC TR CU 020/2011  |                   |   |                                     |  |  |  |  |                |                   |                   |                                     |  |  |               |   |   |   |   |   |   |               |   |   |   |   |   |   |                                |   |   |   |   |   |   |                         |   |   |   |   |   |   |                        |   |   |   |   |   |   |                      |   |   |   |   |   |   |                                   |   |   |   |   |   |   |               |   |   |   |   |   |   |
| FCC                               | Class A emissions   |                   |   |                                     |  |  |  |  |                |                   |                   |                                     |  |  |               |   |   |   |   |   |   |               |   |   |   |   |   |   |                                |   |   |   |   |   |   |                         |   |   |   |   |   |   |                        |   |   |   |   |   |   |                      |   |   |   |   |   |   |                                   |   |   |   |   |   |   |               |   |   |   |   |   |   |
| KC                                | For details, see <a href="#">6181P-CT001</a> (12-in.), <a href="#">6181P-CT002</a> and <a href="#">6181P-CT003</a> (15-in.), and <a href="#">6181P-CT004</a> (17-in.).  |                   |   |                                     |  |  |  |  |                |                   |                   |                                     |  |  |               |   |   |   |   |   |   |               |   |   |   |   |   |   |                                |   |   |   |   |   |   |                         |   |   |   |   |   |   |                        |   |   |   |   |   |   |                      |   |   |   |   |   |   |                                   |   |   |   |   |   |   |               |   |   |   |   |   |   |
| RCM                               | For details, see <a href="#">6181P-CT005</a> .  |                   |   |                                     |  |  |  |  |                |                   |                   |                                     |  |  |               |   |   |   |   |   |   |               |   |   |   |   |   |   |                                |   |   |   |   |   |   |                         |   |   |   |   |   |   |                        |   |   |   |   |   |   |                      |   |   |   |   |   |   |                                   |   |   |   |   |   |   |               |   |   |   |   |   |   |
| RoHS                              | <p>European RoHS 2011/65/EU. For more details, see <a href="#">6181P-CT006</a>.</p> <p>China RoHS:</p> <table border="1"> <thead> <tr> <th rowspan="2">部件名称<br/>Part Name</th> <th colspan="6">有毒有害物质或元素<br/>Toxic or Hazardous Substances and Elements</th> </tr> <tr> <th>铅<br/>Lead (Pb)</th> <th>汞<br/>Mercury (Hg)</th> <th>镉<br/>Cadmium (Cd)</th> <th>六价铬<br/>Hexavalent Chromium (Cr(VI))</th> <th>多溴联苯<br/>Polybrominated Biphenyls (PBB)</th> <th>多溴二苯醚<br/>Polybrominated Diphenyl Ethers (PBDE)</th> </tr> </thead> <tbody> <tr> <td>壳体<br/>Housing</td> <td>X</td> <td>0</td> <td>0</td> <td>0</td> <td>0</td> <td>0</td> </tr> <tr> <td>显示<br/>Display</td> <td>X</td> <td>0</td> <td>0</td> <td>0</td> <td>0</td> <td>0</td> </tr> <tr> <td>印刷电路板<br/>Printed Circuit Board</td> <td>X</td> <td>0</td> <td>0</td> <td>0</td> <td>0</td> <td>0</td> </tr> <tr> <td>金属螺帽<br/>Metal Fasteners</td> <td>X</td> <td>0</td> <td>0</td> <td>0</td> <td>0</td> <td>0</td> </tr> <tr> <td>电缆组装<br/>Cable Assembly</td> <td>X</td> <td>0</td> <td>0</td> <td>0</td> <td>0</td> <td>0</td> </tr> <tr> <td>风扇组装<br/>Fan Assembly</td> <td>X</td> <td>0</td> <td>0</td> <td>0</td> <td>0</td> <td>0</td> </tr> <tr> <td>电力供应组装<br/>Power Supply Assemblies</td> <td>X</td> <td>0</td> <td>0</td> <td>0</td> <td>0</td> <td>0</td> </tr> <tr> <td>电池<br/>Battery</td> <td>0</td> <td>0</td> <td>0</td> <td>0</td> <td>0</td> <td>0</td> </tr> </tbody> </table> <p>本表格依据SJ/T11364 的规定编制。<br/>This table is made per guidance of SJ/T 11364.</p> <p>0: 表示该有害物质在该部件所有均质材料中的含量均在GB/T26572 规定的限量要求以下。<br/>0: Indicates that this toxic or hazardous substance contained in all of the homogeneous materials for the part is below the limit requirement in GB/T 26572.</p> <p>X: 表示该有害物质至少在该部件的某一均质材料中的含量超出GB/T26572 规定的限量要求。<br/>求。(企业可在此处, 根据实际情况对上表中打“X”的技术原因进行进一步说明。)<br/>X: Indicates that this toxic or hazardous substance contained in at least one of the homogeneous materials for the part is below the limit requirement in GB/T 26572.</p> <p>Turkey RoHS (EEE Yönetmeliğine Uygundur. In Conformity with the EEE Regulation)</p> | 部件名称<br>Part Name | 有毒有害物质或元素<br>Toxic or Hazardous Substances and Elements |                                     |  |  |  |  | 铅<br>Lead (Pb) | 汞<br>Mercury (Hg) | 镉<br>Cadmium (Cd) | 六价铬<br>Hexavalent Chromium (Cr(VI)) | 多溴联苯<br>Polybrominated Biphenyls (PBB) | 多溴二苯醚<br>Polybrominated Diphenyl Ethers (PBDE) | 壳体<br>Housing | X | 0 | 0 | 0 | 0 | 0 | 显示<br>Display | X | 0 | 0 | 0 | 0 | 0 | 印刷电路板<br>Printed Circuit Board | X | 0 | 0 | 0 | 0 | 0 | 金属螺帽<br>Metal Fasteners | X | 0 | 0 | 0 | 0 | 0 | 电缆组装<br>Cable Assembly | X | 0 | 0 | 0 | 0 | 0 | 风扇组装<br>Fan Assembly | X | 0 | 0 | 0 | 0 | 0 | 电力供应组装<br>Power Supply Assemblies | X | 0 | 0 | 0 | 0 | 0 | 电池<br>Battery | 0 | 0 | 0 | 0 | 0 | 0 |
| 部件名称<br>Part Name                 | 有毒有害物质或元素<br>Toxic or Hazardous Substances and Elements   |                   |   |                                     |  |  |  |  |                |                   |                   |                                     |  |  |               |   |   |   |   |   |   |               |   |   |   |   |   |   |                                |   |   |   |   |   |   |                         |   |   |   |   |   |   |                        |   |   |   |   |   |   |                      |   |   |   |   |   |   |                                   |   |   |   |   |   |   |               |   |   |   |   |   |   |
|                                   | 铅<br>Lead (Pb)  | 汞<br>Mercury (Hg) | 镉<br>Cadmium (Cd)                                       | 六价铬<br>Hexavalent Chromium (Cr(VI)) | 多溴联苯<br>Polybrominated Biphenyls (PBB) | 多溴二苯醚<br>Polybrominated Diphenyl Ethers (PBDE) |  |  |                |                   |                   |                                     |  |  |               |   |   |   |   |   |   |               |   |   |   |   |   |   |                                |   |   |   |   |   |   |                         |   |   |   |   |   |   |                        |   |   |   |   |   |   |                      |   |   |   |   |   |   |                                   |   |   |   |   |   |   |               |   |   |   |   |   |   |
| 壳体<br>Housing                     | X   | 0                 | 0   | 0                                   | 0                                      | 0  |  |  |                |                   |                   |                                     |  |  |               |   |   |   |   |   |   |               |   |   |   |   |   |   |                                |   |   |   |   |   |   |                         |   |   |   |   |   |   |                        |   |   |   |   |   |   |                      |   |   |   |   |   |   |                                   |   |   |   |   |   |   |               |   |   |   |   |   |   |
| 显示<br>Display                     | X   | 0                 | 0   | 0                                   | 0                                      | 0  |  |  |                |                   |                   |                                     |  |  |               |   |   |   |   |   |   |               |   |   |   |   |   |   |                                |   |   |   |   |   |   |                         |   |   |   |   |   |   |                        |   |   |   |   |   |   |                      |   |   |   |   |   |   |                                   |   |   |   |   |   |   |               |   |   |   |   |   |   |
| 印刷电路板<br>Printed Circuit Board    | X   | 0                 | 0   | 0                                   | 0                                      | 0  |  |  |                |                   |                   |                                     |  |  |               |   |   |   |   |   |   |               |   |   |   |   |   |   |                                |   |   |   |   |   |   |                         |   |   |   |   |   |   |                        |   |   |   |   |   |   |                      |   |   |   |   |   |   |                                   |   |   |   |   |   |   |               |   |   |   |   |   |   |
| 金属螺帽<br>Metal Fasteners           | X   | 0                 | 0   | 0                                   | 0                                      | 0  |  |  |                |                   |                   |                                     |  |  |               |   |   |   |   |   |   |               |   |   |   |   |   |   |                                |   |   |   |   |   |   |                         |   |   |   |   |   |   |                        |   |   |   |   |   |   |                      |   |   |   |   |   |   |                                   |   |   |   |   |   |   |               |   |   |   |   |   |   |
| 电缆组装<br>Cable Assembly            | X   | 0                 | 0   | 0                                   | 0                                      | 0  |  |  |                |                   |                   |                                     |  |  |               |   |   |   |   |   |   |               |   |   |   |   |   |   |                                |   |   |   |   |   |   |                         |   |   |   |   |   |   |                        |   |   |   |   |   |   |                      |   |   |   |   |   |   |                                   |   |   |   |   |   |   |               |   |   |   |   |   |   |
| 风扇组装<br>Fan Assembly              | X   | 0                 | 0   | 0                                   | 0                                      | 0  |  |  |                |                   |                   |                                     |  |  |               |   |   |   |   |   |   |               |   |   |   |   |   |   |                                |   |   |   |   |   |   |                         |   |   |   |   |   |   |                        |   |   |   |   |   |   |                      |   |   |   |   |   |   |                                   |   |   |   |   |   |   |               |   |   |   |   |   |   |
| 电力供应组装<br>Power Supply Assemblies | X   | 0                 | 0   | 0                                   | 0                                      | 0  |  |  |                |                   |                   |                                     |  |  |               |   |   |   |   |   |   |               |   |   |   |   |   |   |                                |   |   |   |   |   |   |                         |   |   |   |   |   |   |                        |   |   |   |   |   |   |                      |   |   |   |   |   |   |                                   |   |   |   |   |   |   |               |   |   |   |   |   |   |
| 电池<br>Battery                     | 0   | 0                 | 0   | 0                                   | 0                                      | 0  |  |  |                |                   |                   |                                     |  |  |               |   |   |   |   |   |   |               |   |   |   |   |   |   |                                |   |   |   |   |   |   |                         |   |   |   |   |   |   |                        |   |   |   |   |   |   |                      |   |   |   |   |   |   |                                   |   |   |   |   |   |   |               |   |   |   |   |   |   |

**Table 11 - Technical Specifications - 6181P Integrated Display and Non-display Computer NDM, 1200P, and 1500P Models**

| Attribute   | NDM<br>(non-display)  | 1200P  |  | 1500P  |          |
|---|---|--|--|--|----------|
|   |   | Performance  | Performance  | Performance  | Advanced |
| Display type  | —   | Color active-matrix TFT flat panel   |  |  |          |
| Display size, diagonal  | —   | 12 in. (307 mm)  | 15 in. (381 mm)  | <ul style="list-style-type: none"> <li>15 in. (381 mm)</li> <li>15.6 in. (396 mm)</li> </ul>   |          |
| Display aspect ratio  | —   | 4:3  |  | <ul style="list-style-type: none"> <li>4:3</li> <li>16:9</li> </ul>  |          |
| Display resolution (max)  | —   | XGA 1024 x 768   |  | <ul style="list-style-type: none"> <li>XGA 1024 x 768</li> <li>WXGA 1366 x 768</li> </ul>  |          |
| Touch screen  | —   | Resistive antiglare  |  | PCAP   |          |
| Response time   | —   | 15 ms  |  |  |          |
| Bezel   | —   | Aluminum   | <ul style="list-style-type: none"> <li>Aluminum</li> <li>Stainless steel</li> </ul>  |  | Aluminum |
| Available processors  | <ul style="list-style-type: none"> <li>Intel i3-4102E; 2 cores; 1.6 GHz</li> <li>Intel i7-4700EQ; 4 cores; 2.4 GHz</li> </ul>   | Intel i3-4102E; 2 cores; 1.6 GHz   |  | Intel i7-4700EQ; 4 cores; 2.4 GHz  |          |
| RAM   | <ul style="list-style-type: none"> <li>Type</li> <li>Supplied</li> <li>Maximum</li> </ul>   | <ul style="list-style-type: none"> <li>DDR3-1600 204-pin SO-DIMM</li> <li>4 GB (2 x 2 GB) or 8 GB (2 x 4 GB)</li> <li>16 GB (2 x 8 GB)<sup>(1)</sup></li> </ul>                    |  | <ul style="list-style-type: none"> <li>DDR3-1600 204-pin SO-DIMM</li> <li>4 GB (2 x 2 GB)</li> <li>16 GB (2 x 8 GB)<sup>(1)</sup></li> </ul> |          |
| Available storage drives  | <ul style="list-style-type: none"> <li>1 x 256 GB, 2.5-in. SATA MLC SSD</li> <li>2 x 256 GB, 2.5-in. SATA MLC SSD (RAID 1)</li> <li>1 x 32 GB, 2.5-in. SATA SLC SSD</li> <li>1 x 64 GB, 2.5-in. SATA SLC SSD<sup>(2)</sup></li> </ul> | <ul style="list-style-type: none"> <li>1 x 256 GB, 2.5-in. SATA MLC SSD</li> <li>1 x 32 GB, 2.5-in. SATA SLC SSD</li> <li>1 x 64 GB, 2.5-in. SATA SLC SSD<sup>(2)</sup></li> </ul> |  |  |          |
| Expansion slots   | 1 PCI Express x8 <sup>(3)</sup>   |  |  |  |          |
| Available optical storage drive (ODD)   | <ul style="list-style-type: none"> <li>None supplied<sup>(4)</sup></li> <li>1 DVD-RW/CD-RW</li> </ul>   | None supplied <sup>(4)</sup>   |  | 1 DVD-RW/CD-RW   |          |
| CompactFlash Type II  | Type II slot with cover   |  |  |  |          |
| I/O connections   | <ul style="list-style-type: none"> <li>1 PS/2 keyboard port</li> <li>1 PS/2 mouse port</li> <li>2 serial RS-232 COM ports</li> </ul>  | <ul style="list-style-type: none"> <li>4 or 5 USB 3.0 external ports<sup>(5)</sup></li> <li>2 Ethernet LAN ports, 1 Gb each</li> <li>DVI-I port</li> </ul>                         | <ul style="list-style-type: none"> <li>DisplayPort</li> <li>3 jacks: audio line-in, audio line-out, and microphone-in</li> </ul> |  |          |
| Available operating systems <sup>(6)(7)</sup>   | <ul style="list-style-type: none"> <li>Windows 10 IoT Enterprise (64 bit)</li> <li>Windows 7 Pro (64 bit) SP1</li> <li>WES 7 (64 bit) SP1</li> <li>Windows Server 2008 R2 Standard (64 bit) SP1</li> </ul>                            | <ul style="list-style-type: none"> <li>Windows 10 IoT Enterprise (64 bit)</li> <li>Windows 7 Professional (64 bit) SP1</li> <li>WES 7 (64 bit) SP1</li> </ul>                      |  | <ul style="list-style-type: none"> <li>Windows 10 IoT Enterprise (64 bit)</li> <li>Windows 7 Professional (64 bit) SP1</li> </ul>            |          |
| Weight, approx  | 7.5 kg (16.5 lb)  | 8.5 kg (18.7 lb)   | 9.9 kg (21.8 lb)   | 9.9 kg (21.8 lb)   |          |
| <ul style="list-style-type: none"> <li>Aluminum bezel</li> <li>Stainless steel bezel</li> <li>Widescreen</li> </ul> | —   | —  | 11.1 kg (24.5 lb)  | —  |          |
| Dimensions  | See <a href="#">Figure 3 on page 16</a>   |  |  |  |          |
| Cutout dimensions   |   |  |  |  |          |
| Mount options   | <ul style="list-style-type: none"> <li>Wall</li> <li>Bookshelf<sup>(8)</sup></li> <li>Table top</li> </ul>  | Panel  |  |  |          |

(1) Maximum memory shipped with computers is 8 GB. 16 GB is available through a kit (catalog number 6189V-16GSODDR3), which is sold separately.  
 (2) Available through a kit (catalog number 6189V-6181SSD64GB), which is sold separately.  
 (3) Available one-slot riser kit (catalog number 6189V-PCIR) supports 1 PCI, and two-slot kit (catalog number 6189V-EXTPCI2) supports 2 PCI, 2 PCIe x4, or 1 PCIe x4 plus 1 PCI, all which are half-length.  
 (4) Performance models are not sold with an optical disk drive (ODD) but one can be installed. You must order a kit (catalog number 6189V-ODD), which is sold separately.  
 (5) All display models have four external USB 3.0 ports and one internal USB 3.0 port. Display models with an aluminum bezel have an extra external USB 3.0 port on the bezel (behind the front access cover).  
 (6) 6181P computers do not ship with the Windows XP Professional operating system but Windows XP system images are available. For more information, contact Rockwell Automation Technical Support (see back page).  
 (7) 32 bit images for the Windows 7 operating system are available from the Rockwell Automation Product Compatibility and Download Center: <https://compatibility.rockwellautomation.com/Pages/home.aspx>.  
 (8) A bookshelf mounting kit (catalog number 6189V-BOOKBRKT) is required and must be ordered separately.

**Table 12 - Technical Specifications - 6181P Integrated Display Computer 1700P and 1900P Models**

| Attribute  | 1700P  |  | 1900P   |  |
|--|--|--|---|--|
|  | Performance  | Advanced   | Performance   | Advanced   |
| Display type   | Color active-matrix TFT flat panel   |  |   |  |
| Display size, diagonal   | 17 in. (432 mm)  |  | 19 in. (483 mm)   | <ul style="list-style-type: none"> <li>19 in. (483 mm)</li> <li>18.5 in. (470 mm)</li> </ul>   |
| Display aspect ratio   | 5:4  |  |   | <ul style="list-style-type: none"> <li>5:4</li> <li>16:9</li> </ul>  |
| Display resolution (max)   | SXGA 1280 x 1024   |  |   | <ul style="list-style-type: none"> <li>SXGA 1280 x 1024</li> <li>WXGA 1366 x 768</li> </ul>  |
| Touch screen   | Resistive antiglare  | PCAP   | Resistive antiglare   | PCAP   |
| Response time  | 15 ms  |  |   |  |
| Bezel  | <ul style="list-style-type: none"> <li>Aluminum</li> <li>Stainless steel</li> </ul>  | Aluminum   | <ul style="list-style-type: none"> <li>Aluminum</li> <li>Stainless steel</li> </ul>   | Aluminum   |
| Available processors   | Intel i3-4102E; 2 cores; 1.6 GHz   | Intel i7-4700EQ; 4 cores; 2.4 GHz  | Intel i3-4102E; 2 cores; 1.6 GHz  | Intel i7-4700EQ; 4 cores; 2.4 GHz  |
| RAM <ul style="list-style-type: none"> <li>Type</li> <li>Supplied</li> <li>Maximum</li> </ul>                                      | <ul style="list-style-type: none"> <li>DDR3-1600 204-pin SO-DIMM</li> <li>4 GB (2 x 2 GB)</li> <li>16 GB (2 x 8 GB)<sup>(1)</sup></li> </ul>                                       | <ul style="list-style-type: none"> <li>DDR3-1600 204-pin SO-DIMM</li> <li>8 GB (2 x 4 GB)</li> <li>16 GB (2 x 8 GB)<sup>(1)</sup></li> </ul>               | <ul style="list-style-type: none"> <li>DDR3-1600 204-pin SO-DIMM</li> <li>4 GB (2 x 2 GB)</li> <li>16 GB (2 x 8 GB)<sup>(1)</sup></li> </ul>                  | <ul style="list-style-type: none"> <li>DDR3-1600 204-pin SO-DIMM</li> <li>8 GB (2 x 4 GB)</li> <li>16 GB (2 x 8 GB)<sup>(1)</sup></li> </ul> |
| Available storage drives   | <ul style="list-style-type: none"> <li>1 x 256 GB, 2.5-in. SATA MLC SSD</li> <li>1 x 32 GB, 2.5-in. SATA SLC SSD</li> <li>1 x 64 GB, 2.5-in. SATA SLC SSD<sup>(2)</sup></li> </ul> |  |   |  |
| Expansion slots  | 1 PCI Express x8 <sup>(3)</sup>  |  |   |  |
| Available optical storage drive (ODD)  | None supplied <sup>(4)</sup>   | 1 DVD-RW/CD-RW   | None supplied <sup>(4)</sup>  | 1 DVD-RW/CD-RW   |
| CompactFlash Type II   | Type II slot with cover  |  |   |  |
| I/O connections  | <ul style="list-style-type: none"> <li>1 PS/2 keyboard port</li> <li>1 PS/2 mouse port</li> <li>2 serial RS-232 COM ports</li> </ul>   | <ul style="list-style-type: none"> <li>4 or 5 USB 3.0 external ports<sup>(5)</sup></li> <li>2 Ethernet LAN ports, 1 Gb each</li> <li>DVI-I port</li> </ul> | <ul style="list-style-type: none"> <li>DisplayPort</li> <li>3 jacks: audio line-in, audio line-out, and microphone-in</li> </ul>                              |  |
| Available operating systems <sup>(6)(7)</sup>  | <ul style="list-style-type: none"> <li>Windows 10 IoT Enterprise (64 bit)</li> <li>Windows 7 Professional (64 bit) SP1</li> <li>WES 7 (64 bit) SP1</li> </ul>                      | <ul style="list-style-type: none"> <li>Windows 10 IoT Enterprise (64 bit)</li> <li>Windows 7 Professional (64 bit) SP1</li> </ul>                          | <ul style="list-style-type: none"> <li>Windows 10 IoT Enterprise (64 bit)</li> <li>Windows 7 Professional (64 bit) SP1</li> <li>WES 7 (64 bit) SP1</li> </ul> | <ul style="list-style-type: none"> <li>Windows 10 IoT Enterprise (64 bit)</li> <li>Windows 7 Professional (64 bit) SP1</li> </ul>            |
| Weight, approx <ul style="list-style-type: none"> <li>Aluminum bezel</li> <li>Stainless steel bezel</li> <li>Widescreen</li> </ul> | 11.1 kg (24.5 lb)<br>12.8 kg (28.2 lb)<br>—  | 11.1 kg (24.5 lb)<br>—<br>—  | 13.2 kg (29.1 lb)<br>14.5 kg (32 lb)<br>—   | 13.2 kg (29.1 lb)<br>—<br>13 kg (28.7 lb)  |
| Dimensions, approx   | See <a href="#">Figure 3 on page 16</a>  |  |   |  |
| Cutout dimensions  |  |  |   |  |
| Mount options  | Panel  |  |   |  |

(1) Maximum memory shipped with computers is 8 GB. 16 GB is available through a kit (catalog number 6189V-16GSODDR3), which is sold separately.

(2) Available through a kit (catalog number 6189V-6181SSD64GB), which is sold separately.

(3) Available one-slot riser kit (catalog number 6189V-PCIR) supports 1 PCI, and two-slot kit (catalog number 6189V-EXTPCI2) supports 2 PCI, 2 PCIe x4, or 1 PCIe x4 plus 1 PCI, all which are half-length.

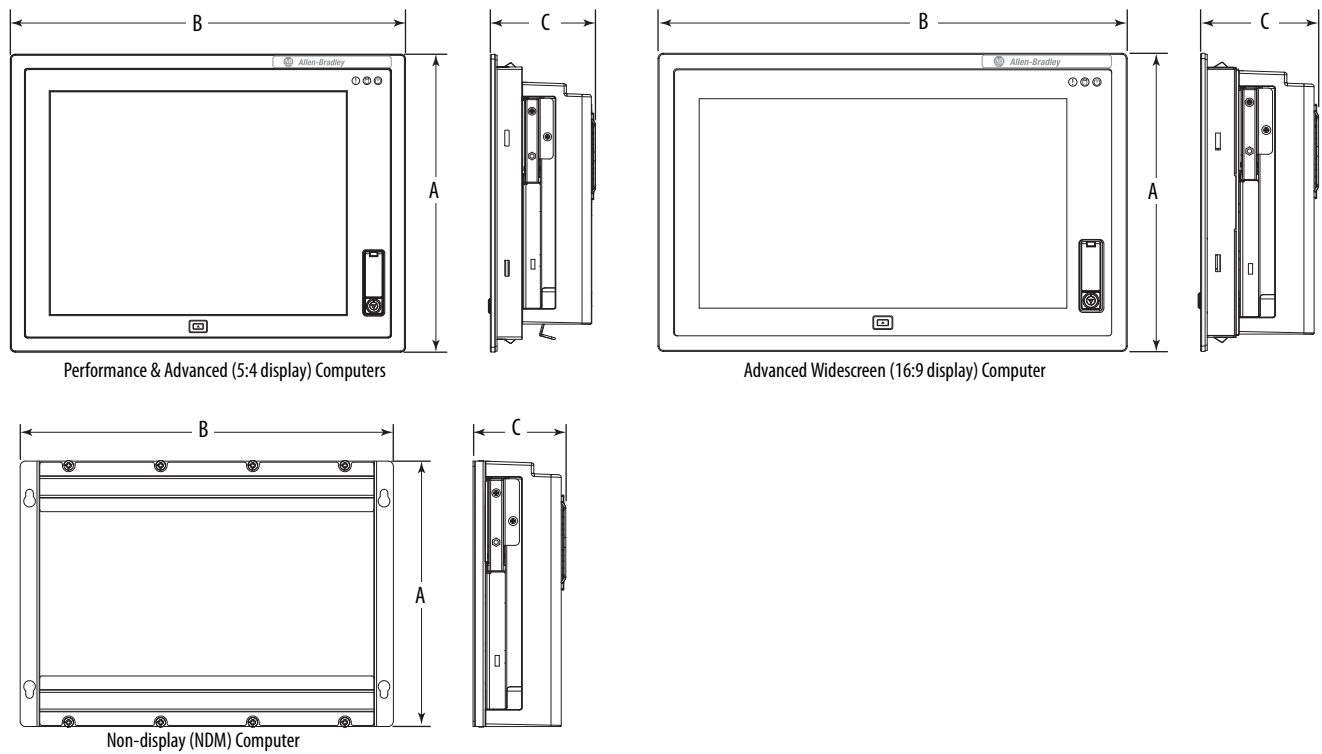
(4) Performance models are not sold with an optical disk drive (ODD) but one can be installed. You must order a kit (catalog number 6189V-ODD), which is sold separately.

(5) All display models have four external USB 3.0 ports and one internal USB 3.0 port. Display models with an aluminum bezel have an extra external USB 3.0 port on the bezel (behind the front access cover).

(6) 6181P computers do not ship with the Windows XP Professional operating system but Windows XP system images are available. For more information, contact Rockwell Automation Technical Support (see back page).

(7) 32 bit images for the Windows 7 operating system are available from the Rockwell Automation Product Compatibility and Download Center: <https://compatibility.rockwellautomation.com/Pages/home.aspx>.

**Figure 3 - 6181P Integrated Display and Non-display Computer Dimensions**

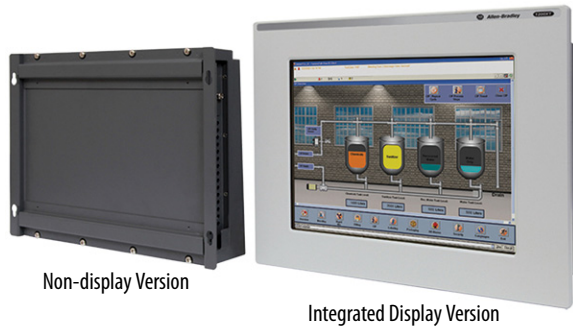


| 6181P Integrated Display and Non-display Computers | All dimensions are in mm (in.) |                 |                 |               |               |
|--|--------------------------------|-----------------|-----------------|---------------|---------------|
|  | Overall Height A               | Overall Width B | Overall Depth C | Cutout Height | Cutout Width  |
| <b>Non-display (NDM)</b>                           |                                |                 |                 |               |               |
| Performance  | 251 (9.88)                     | 353 (13.9)      | 83.4 (3.28)     | —             | —             |
| Advanced   |                                |                 | 87.7 (3.45)     |               |               |
| <b>1200P</b>                                       |                                |                 |                 |               |               |
| Performance (aluminum bezel)                       | 279 (10.98)                    | 349 (13.74)     | 104.8 (4.13)    | 254 (10)      | 324 (12.76)   |
| <b>1500P</b>                                       |                                |                 |                 |               |               |
| Performance (aluminum bezel)                       | 309 (12.16)                    | 410 (16.14)     | 104.8 (4.13)    | 285.6 (11.24) | 386.6 (15.22) |
| Performance (stainless steel bezel)                |                                |                 | 104.1 (4.1)     |               |               |
| Advanced (standard 4:3 display)                    |                                |                 | 104.8 (4.13)    |               |               |
| Advanced (widescreen 16:9 display)                 | 284 (11.18)                    | 447 (17.6)      | 108.1 (4.26)    | 260.2 (10.24) | 420 (16.54)   |
| <b>1700P</b>                                       |                                |                 |                 |               |               |
| Performance (aluminum bezel)                       | 356 (14.01)                    | 452 (17.80)     | 104.8 (4.13)    | 329.5 (12.97) | 424 (16.69)   |
| Performance (stainless steel bezel)                |                                |                 | 104.1 (4.10)    |               |               |
| Advanced (standard 5:4 display)                    |                                |                 | 104.8 (4.13)    |               |               |
| <b>1900P</b>                                       |                                |                 |                 |               |               |
| Performance (aluminum bezel)                       | 399.3 (15.72)                  | 482.6 (19)      | 108.1 (3.94)    | 363.5 (14.31) | 449.6 (17.7)  |
| Performance (stainless steel bezel)                |                                |                 |                 |               |               |
| Advanced (standard 5:4 display)                    |                                |                 |                 |               |               |
| Advanced (widescreen 16:9 display)                 | 339.3 (13.36)                  | 515.6 (20.3)    |                 | 321 (12.64)   | 493 (19.41)   |

**NOTE:** All Advanced integrated display computer models are available only with aluminum bezels.



## 6181X Integrated Display and Non-display Computers for Hazardous Locations



With North American, ATEX, and IECEx hazardous location certifications, this extreme environment computer can be safely used globally in areas where explosive materials can be present. The display version of this computer mounts in a panel while the non-display version mounts on a wall. Both computers can withstand temperatures of  $-20\dots+70\text{ }^{\circ}\text{C}$  ( $-4\dots+158\text{ }^{\circ}\text{F}$ ) inside a cabinet or enclosure. The front of the integrated display computer can withstand ambient temperatures in the range  $-20\dots+55\text{ }^{\circ}\text{C}$  ( $-4\dots+131\text{ }^{\circ}\text{F}$ ).

**Table 13 - Environmental Specifications, 6181X Hazardous Location Computers**

| Attribute  | 1200XT Non-display, 1200XT Display (12 in.)  |
|--|--|
| Temperature, operating<br>6181X-NPXPDC, non-display<br>6181X-12TPXPDC, display | $-20\dots+70\text{ }^{\circ}\text{C}$ ( $-4\dots+158\text{ }^{\circ}\text{F}$ )<br>$-20\dots+55\text{ }^{\circ}\text{C}$ ( $-4\dots+131\text{ }^{\circ}\text{F}$ ), display side<br>$-20\dots+70\text{ }^{\circ}\text{C}$ ( $-4\dots+158\text{ }^{\circ}\text{F}$ ), back side |
| Temperature, nonoperating  | $-30\dots+80\text{ }^{\circ}\text{C}$ ( $-22\dots+176\text{ }^{\circ}\text{F}$ )   |
| Relative humidity  | 10...90% noncondensing   |
| Altitude, operating  | 2,000 m (6,561 ft)   |
| Altitude, nonoperating   | 12,000 m (40,000 ft)   |
| Vibration, operating   | 0.012 in. p-p 10...57 Hz<br>2 g peak at 57...640 Hz  |
| Shock, operating   | 15 g (1/2 sine, 11 ms)   |
| Shock, nonoperating  | 30 g (1/2 sine, 11 ms)   |
| Enclosure ratings (display models)   | UL Type 4, 4X and 12<br>IP66 as classified by UL <sup>(1)</sup>  |

(1) When properly mounted on a flat surface of an equivalent type enclosure.

**Table 14 - Hazardous Location Ratings by Region**

| Computer Model   | Cat. Nos.  | Region        | Rating                                   | Temperature Range   |  |
|------------------|--|---------------|--|---|--|
| Non-display      | 6181X-00N2SW71DC,<br>6181X-00N2SWX1DC  | United States | Class I Division 2, Groups A, B, C, D T4 | $-20\text{ }^{\circ}\text{C} \leq T_a \leq +70\text{ }^{\circ}\text{C}$ <sup>(1)</sup><br>( $-4\text{ }^{\circ}\text{F} \leq T_a \leq +158\text{ }^{\circ}\text{F}$ ) |  |
|                  |  |               | Class I Zone 2, IIC, T4                  |   |  |
|                  |  | Canada        | Class I Division 2, Groups A, B, C, D T4 |   |  |
|                  |  |               | Class I Zone 2, IIC, T4                  |   |  |
| Europe (ATEX)    | II 3 G, Ex nA IIC T4 Gc,<br>DEMKO 17 ATEX 1851 X   |               |  |   |  |
| Global/IECEx     | Ex nA IIC T4 Gc, IECEx UL 17.0024 X  |               |  |   |  |
| Display (12 in.) | 6181X-12A2SW71DC,<br>6181X-12A2SWX1DC  | United States | Class I Division 2, Groups A, B, C, D T4 | $-20\text{ }^{\circ}\text{C} \leq T_a \leq +55\text{ }^{\circ}\text{C}$<br>( $-4\text{ }^{\circ}\text{F} \leq T_a \leq +131\text{ }^{\circ}\text{F}$ ) (display side) |  |
|                  |  |               | Class I Zone 2, IIC, T4                  |   |  |
|                  |  | Canada        | Class I Division 2, Groups A, B, C, D T4 |   | $-20\text{ }^{\circ}\text{C} < T_a < +70\text{ }^{\circ}\text{C}$<br>( $-4\text{ }^{\circ}\text{F} < T_a < +158\text{ }^{\circ}\text{F}$ ) (backside) <sup>(1)</sup> |
|                  |  |               | Class I Zone 2, IIC, T4                  |   |  |
| Europe (ATEX)    | II 3 GD, Ex nA nC IIC T4 Gc IP66,<br>Ex tc IIIC T135 °C Dc IP66,<br>DEMKO 17 ATEX 1851 X |               |  |   |  |
| Global/IECEx     | Ex nA nC IIC T4 Gc IP66,<br>Ex tc IIIC T135 °C Dc IP66,<br>IECEx UL 17.0024 X            |               |  |   |  |

(1) The entire non-display computer and the backside of the integrated display computer are required to be mounted in a restricted access location.

**Table 15 - Certifications, 6181X Hazardous Location Computers**

For the most current certification information, visit the Rockwell Automation Literature Library website at <https://www.rockwellautomation.com/global/literature-library/overview.page>. Use 6181X-CT as your search criteria.

| Certification                     | 1200XT Non-display, 1200XT Display   |                      |   |   |  |  |  |  |                   |                      |                      |   |  |  |               |   |   |   |   |   |   |               |   |   |   |   |   |   |                                |   |   |   |   |   |   |                         |   |   |   |   |   |   |                        |   |   |   |   |   |   |                      |   |   |   |   |   |   |                                   |   |   |   |   |   |   |               |   |   |   |   |   |   |
|-----------------------------------|--|----------------------|---|---|--|--|--|--|-------------------|----------------------|----------------------|---|--|--|---------------|---|---|---|---|---|---|---------------|---|---|---|---|---|---|--------------------------------|---|---|---|---|---|---|-------------------------|---|---|---|---|---|---|------------------------|---|---|---|---|---|---|----------------------|---|---|---|---|---|---|-----------------------------------|---|---|---|---|---|---|---------------|---|---|---|---|---|---|
| c-UL-us                           | For details, see <a href="#">6181X-CT007</a> .   |                      |   |   |  |  |  |  |                   |                      |                      |   |  |  |               |   |   |   |   |   |   |               |   |   |   |   |   |   |                                |   |   |   |   |   |   |                         |   |   |   |   |   |   |                        |   |   |   |   |   |   |                      |   |   |   |   |   |   |                                   |   |   |   |   |   |   |               |   |   |   |   |   |   |
| IECEX                             | For details, see <a href="#">6181X-CT011</a> .   |                      |   |   |  |  |  |  |                   |                      |                      |   |  |  |               |   |   |   |   |   |   |               |   |   |   |   |   |   |                                |   |   |   |   |   |   |                         |   |   |   |   |   |   |                        |   |   |   |   |   |   |                      |   |   |   |   |   |   |                                   |   |   |   |   |   |   |               |   |   |   |   |   |   |
| ATEX                              | For details, see <a href="#">6181X-CT012</a> .   |                      |   |   |  |  |  |  |                   |                      |                      |   |  |  |               |   |   |   |   |   |   |               |   |   |   |   |   |   |                                |   |   |   |   |   |   |                         |   |   |   |   |   |   |                        |   |   |   |   |   |   |                      |   |   |   |   |   |   |                                   |   |   |   |   |   |   |               |   |   |   |   |   |   |
| CE                                | For details, see <a href="#">6181X-CT010</a> .   |                      |   |   |  |  |  |  |                   |                      |                      |   |  |  |               |   |   |   |   |   |   |               |   |   |   |   |   |   |                                |   |   |   |   |   |   |                         |   |   |   |   |   |   |                        |   |   |   |   |   |   |                      |   |   |   |   |   |   |                                   |   |   |   |   |   |   |               |   |   |   |   |   |   |
| FCC                               | Class A emissions  |                      |   |   |  |  |  |  |                   |                      |                      |   |  |  |               |   |   |   |   |   |   |               |   |   |   |   |   |   |                                |   |   |   |   |   |   |                         |   |   |   |   |   |   |                        |   |   |   |   |   |   |                      |   |   |   |   |   |   |                                   |   |   |   |   |   |   |               |   |   |   |   |   |   |
| KC                                | For details, see <a href="#">6181X-CT009</a> .   |                      |   |   |  |  |  |  |                   |                      |                      |   |  |  |               |   |   |   |   |   |   |               |   |   |   |   |   |   |                                |   |   |   |   |   |   |                         |   |   |   |   |   |   |                        |   |   |   |   |   |   |                      |   |   |   |   |   |   |                                   |   |   |   |   |   |   |               |   |   |   |   |   |   |
| RoHS                              | <p>European RoHS 2011/65/EU. For more details, see <a href="#">6181X-CT010</a>.<br/>China RoHS:</p> <table border="1"> <thead> <tr> <th rowspan="2">部件名称<br/>Part Name</th> <th colspan="6">有毒有害物质或元素<br/>Toxic or Hazardous Substances and Elements</th> </tr> <tr> <th>铅<br/>Lead<br/>(Pb)</th> <th>汞<br/>Mercury<br/>(Hg)</th> <th>镉<br/>Cadmium<br/>(Cd)</th> <th>六价铬<br/>Hexavalent<br/>Chromium<br/>(Cr(VI))</th> <th>多溴联苯<br/>Polybrominated<br/>Biphenyls<br/>(PBB)</th> <th>多溴二苯醚<br/>Polybrominated<br/>Diphenyl Ethers<br/>(PBDE)</th> </tr> </thead> <tbody> <tr> <td>壳体<br/>Housing</td> <td>X</td> <td>0</td> <td>0</td> <td>0</td> <td>0</td> <td>0</td> </tr> <tr> <td>显示<br/>Display</td> <td>X</td> <td>0</td> <td>0</td> <td>0</td> <td>0</td> <td>0</td> </tr> <tr> <td>印刷电路板<br/>Printed Circuit Board</td> <td>X</td> <td>0</td> <td>0</td> <td>0</td> <td>0</td> <td>0</td> </tr> <tr> <td>金属螺帽<br/>Metal Fasteners</td> <td>X</td> <td>0</td> <td>0</td> <td>0</td> <td>0</td> <td>0</td> </tr> <tr> <td>电缆组装<br/>Cable Assembly</td> <td>X</td> <td>0</td> <td>0</td> <td>0</td> <td>0</td> <td>0</td> </tr> <tr> <td>风扇组装<br/>Fan Assembly</td> <td>X</td> <td>0</td> <td>0</td> <td>0</td> <td>0</td> <td>0</td> </tr> <tr> <td>电力供应组装<br/>Power Supply Assemblies</td> <td>X</td> <td>0</td> <td>0</td> <td>0</td> <td>0</td> <td>0</td> </tr> <tr> <td>电池<br/>Battery</td> <td>0</td> <td>0</td> <td>0</td> <td>0</td> <td>0</td> <td>0</td> </tr> </tbody> </table> <p>本表格依据SJ/T11364 的规定编制。<br/>This table is made per guidance of SJ/T 11364.</p> <p>0: 表示该有害物质在该部件所有均质材料中的含量均在GB/T26572 规定的限量要求以下。<br/>0: Indicates that this toxic or hazardous substance contained in all of the homogeneous materials for the part is below the limit requirement in GB/T 26572.</p> <p>X: 表示该有害物质至少在该部件的某一均质材料中的含量超出GB/T26572 规定的限量要求。<br/>求。(企业可在此处, 根据实际情况对上表中打“×”的技术原因进行进一步说明。)<br/>X: Indicates that this toxic or hazardous substance contained in at least one of the homogeneous materials for the part is below the limit requirement in GB/T 26572.</p> <p>Turkey RoHS (EEE Yönetmeliğine Uygundur. In Conformity with the EEE Regulation)</p> | 部件名称<br>Part Name    | 有毒有害物质或元素<br>Toxic or Hazardous Substances and Elements |   |  |  |  |  | 铅<br>Lead<br>(Pb) | 汞<br>Mercury<br>(Hg) | 镉<br>Cadmium<br>(Cd) | 六价铬<br>Hexavalent<br>Chromium<br>(Cr(VI)) | 多溴联苯<br>Polybrominated<br>Biphenyls<br>(PBB) | 多溴二苯醚<br>Polybrominated<br>Diphenyl Ethers<br>(PBDE) | 壳体<br>Housing | X | 0 | 0 | 0 | 0 | 0 | 显示<br>Display | X | 0 | 0 | 0 | 0 | 0 | 印刷电路板<br>Printed Circuit Board | X | 0 | 0 | 0 | 0 | 0 | 金属螺帽<br>Metal Fasteners | X | 0 | 0 | 0 | 0 | 0 | 电缆组装<br>Cable Assembly | X | 0 | 0 | 0 | 0 | 0 | 风扇组装<br>Fan Assembly | X | 0 | 0 | 0 | 0 | 0 | 电力供应组装<br>Power Supply Assemblies | X | 0 | 0 | 0 | 0 | 0 | 电池<br>Battery | 0 | 0 | 0 | 0 | 0 | 0 |
| 部件名称<br>Part Name                 | 有毒有害物质或元素<br>Toxic or Hazardous Substances and Elements  |                      |   |   |  |  |  |  |                   |                      |                      |   |  |  |               |   |   |   |   |   |   |               |   |   |   |   |   |   |                                |   |   |   |   |   |   |                         |   |   |   |   |   |   |                        |   |   |   |   |   |   |                      |   |   |   |   |   |   |                                   |   |   |   |   |   |   |               |   |   |   |   |   |   |
|                                   | 铅<br>Lead<br>(Pb)  | 汞<br>Mercury<br>(Hg) | 镉<br>Cadmium<br>(Cd)                                    | 六价铬<br>Hexavalent<br>Chromium<br>(Cr(VI)) | 多溴联苯<br>Polybrominated<br>Biphenyls<br>(PBB) | 多溴二苯醚<br>Polybrominated<br>Diphenyl Ethers<br>(PBDE) |  |  |                   |                      |                      |   |  |  |               |   |   |   |   |   |   |               |   |   |   |   |   |   |                                |   |   |   |   |   |   |                         |   |   |   |   |   |   |                        |   |   |   |   |   |   |                      |   |   |   |   |   |   |                                   |   |   |   |   |   |   |               |   |   |   |   |   |   |
| 壳体<br>Housing                     | X  | 0                    | 0   | 0   | 0  | 0  |  |  |                   |                      |                      |   |  |  |               |   |   |   |   |   |   |               |   |   |   |   |   |   |                                |   |   |   |   |   |   |                         |   |   |   |   |   |   |                        |   |   |   |   |   |   |                      |   |   |   |   |   |   |                                   |   |   |   |   |   |   |               |   |   |   |   |   |   |
| 显示<br>Display                     | X  | 0                    | 0   | 0   | 0  | 0  |  |  |                   |                      |                      |   |  |  |               |   |   |   |   |   |   |               |   |   |   |   |   |   |                                |   |   |   |   |   |   |                         |   |   |   |   |   |   |                        |   |   |   |   |   |   |                      |   |   |   |   |   |   |                                   |   |   |   |   |   |   |               |   |   |   |   |   |   |
| 印刷电路板<br>Printed Circuit Board    | X  | 0                    | 0   | 0   | 0  | 0  |  |  |                   |                      |                      |   |  |  |               |   |   |   |   |   |   |               |   |   |   |   |   |   |                                |   |   |   |   |   |   |                         |   |   |   |   |   |   |                        |   |   |   |   |   |   |                      |   |   |   |   |   |   |                                   |   |   |   |   |   |   |               |   |   |   |   |   |   |
| 金属螺帽<br>Metal Fasteners           | X  | 0                    | 0   | 0   | 0  | 0  |  |  |                   |                      |                      |   |  |  |               |   |   |   |   |   |   |               |   |   |   |   |   |   |                                |   |   |   |   |   |   |                         |   |   |   |   |   |   |                        |   |   |   |   |   |   |                      |   |   |   |   |   |   |                                   |   |   |   |   |   |   |               |   |   |   |   |   |   |
| 电缆组装<br>Cable Assembly            | X  | 0                    | 0   | 0   | 0  | 0  |  |  |                   |                      |                      |   |  |  |               |   |   |   |   |   |   |               |   |   |   |   |   |   |                                |   |   |   |   |   |   |                         |   |   |   |   |   |   |                        |   |   |   |   |   |   |                      |   |   |   |   |   |   |                                   |   |   |   |   |   |   |               |   |   |   |   |   |   |
| 风扇组装<br>Fan Assembly              | X  | 0                    | 0   | 0   | 0  | 0  |  |  |                   |                      |                      |   |  |  |               |   |   |   |   |   |   |               |   |   |   |   |   |   |                                |   |   |   |   |   |   |                         |   |   |   |   |   |   |                        |   |   |   |   |   |   |                      |   |   |   |   |   |   |                                   |   |   |   |   |   |   |               |   |   |   |   |   |   |
| 电力供应组装<br>Power Supply Assemblies | X  | 0                    | 0   | 0   | 0  | 0  |  |  |                   |                      |                      |   |  |  |               |   |   |   |   |   |   |               |   |   |   |   |   |   |                                |   |   |   |   |   |   |                         |   |   |   |   |   |   |                        |   |   |   |   |   |   |                      |   |   |   |   |   |   |                                   |   |   |   |   |   |   |               |   |   |   |   |   |   |
| 电池<br>Battery                     | 0  | 0                    | 0   | 0   | 0  | 0  |  |  |                   |                      |                      |   |  |  |               |   |   |   |   |   |   |               |   |   |   |   |   |   |                                |   |   |   |   |   |   |                         |   |   |   |   |   |   |                        |   |   |   |   |   |   |                      |   |   |   |   |   |   |                                   |   |   |   |   |   |   |               |   |   |   |   |   |   |
| RCM (formerly C-Tick)             | Australian Radiocommunications Act, compliance with EN 55032. For more details, see <a href="#">6181X-CT008</a> .  |                      |   |   |  |  |  |  |                   |                      |                      |   |  |  |               |   |   |   |   |   |   |               |   |   |   |   |   |   |                                |   |   |   |   |   |   |                         |   |   |   |   |   |   |                        |   |   |   |   |   |   |                      |   |   |   |   |   |   |                                   |   |   |   |   |   |   |               |   |   |   |   |   |   |

**Table 16 - Power Specifications, 6181X Hazardous Location Computers**

| Attribute  | 6181X Non-display Models                    | 6181X Display Models                       |
|--|---|--|
| Input voltage                                    | 18...32V DC                                 |  |
| Power consumption, DC (max)                      | 18...32V DC (SELV),<br>2.46...1.34 A, 45 W  | 18...32V DC (SELV),<br>3.28...1.79 A, 60 W |
| Heat dissipation <sup>(1)</sup>                  | 45 W (154 BTU/h)                            | 60 W (205 BTU/h)                           |
| Ratings, max<br>USB ports, per port<br>PCIe slot | 900 mA, 10 W max for all ports (2 A)<br>4 W |  |

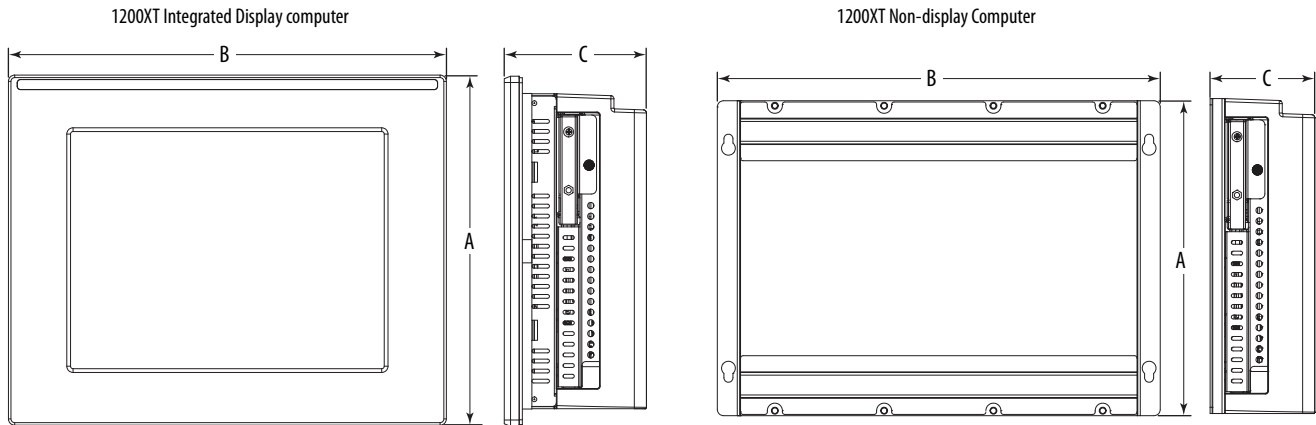
(1) Add-in cards and peripherals are included in the heat dissipation value.

**Table 17 - Technical Specifications, 6181X Hazardous Location Computers**

| Attribute                   | 1200XT Non-display   | 1200XT Integrated Display          |
|-----------------------------|--|------------------------------------|
| Display type                | No display   | Active matrix color TFT            |
| Touch screen                | —  | Resistive, sunlight readable film  |
| Display size, diagonal      |  | 308 mm (12.1 in.)                  |
| Display area (WxH)          |  | 246 x 185 mm (9.7 x 7.3 in.)       |
| Native resolution           |  | 1024 x 768, 16.2M colors           |
| Luminance                   |  | 700 cd/m <sup>2</sup> (Nits)       |
| Contrast ratio, typical     |  | 800:1                              |
| View angle, typical         |  | 160°                               |
| LED backlight lifetime      |  | 100,000 hours max at 25 °C (77 °F) |
| Bezel                       |  | Aluminum                           |
| Processor                   | Intel Core i3-5010U, 2.1 GHz   |                                    |
| RAM                         | 8 GB DDR3 installed (16 GB max)  |                                    |
| Solid-state drive           | MLC drive on computer side, 128 GB <sup>(1)</sup>  |                                    |
| • Installed                 | • 128 GB   |                                    |
| • Max                       | • 256 GB   |                                    |
| Expansion slots             | 1 half-length PCIe x1  |                                    |
| CompactFlash Type II slot   | 1 bootable data drive slot (shipped empty)   |                                    |
| I/O connections             | <ul style="list-style-type: none"> <li>• 2 serial RS-232 COM ports</li> <li>• 4 USB 2.0 ports, hot-swappable</li> <li>• 2 Ethernet LAN ports, 1 Gb each</li> <li>• 2 video ports: 1 DVI-I and 1 DisplayPort</li> </ul> |                                    |
| Available operating systems | <ul style="list-style-type: none"> <li>• Windows 10 IoT Enterprise (64 bit)</li> <li>• Windows 7 Professional (64 bit), Service Pack 1</li> </ul>  |                                    |
| Weight, approx              | 6.1 kg (13.45 lb)  | 8.4 kg (18.52 lb)                  |
| Dimensions, approx          | See <a href="#">Figure 4 on page 20</a>  |                                    |
| Cutout dimensions           |  |                                    |
| Mount options               | Wall   | Panel                              |

(1) 256 GB hard disk drive accessory available, cat. no. 6189X-256GBSSD.

**Figure 4 - 6181X Hazardous Location Computer Dimensions**



| 6181X Hazardous Location Computer | All dimensions are in mm (in.) |                 |                 |               |              |
|-----------------------------------|--------------------------------|-----------------|-----------------|---------------|--------------|
|                                   | Overall Height A               | Overall Width B | Overall Depth C | Cutout Height | Cutout Width |
| 1200XT display                    | 279 (10.98)                    | 349 (13.74)     | 101.2 (3.98)    | 254 (10)      | 324 (12.76)  |
| 1200XT non-display                | 190 (7.5)                      | 335 (13.20)     | 83.4 (3.28)     | —             | —            |

**6177R Non-display Computers**

The 6177R non-display computers take advantage of the Intel second-generation core processors to provide powerful platforms that are suited with excellent reliability for industrial environments. These computers are available in rugged machine-mount and rack-mount form factors and offer powerful remote management, onboard backup/restore, and integrated diagnostic capabilities.



**Table 18 - Environmental Specifications, 6177R Non-display Computers**

| Attribute                 | 750R, 1450R                                       |
|---------------------------|---|
| Temperature, operating    | 0...50 °C (32...122 °F)                           |
| Temperature, nonoperating | -20...+60 °C (-4...+140 °F)                       |
| Relative humidity         | 10...90% noncondensing                            |
| Vibration, operating      | 0.006 in. p-p 10...57 Hz, 1 g peak at 57...640 Hz |
| Vibration, nonoperating   | 0.012 in. p-p 10...57 Hz, 2 g peak at 57...640 Hz |
| Shock, operating          | 15 g (1/2 sine, 11 ms)                            |
| Shock, nonoperating       | 30 g (1/2 sine, 11 ms)                            |
| Acoustic noise, idle      | 750R 44.3 dB at 50 cm<br>1450R 46.6 dB at 50 cm   |
| Acoustic noise, max       | 750R 63.4 dB at 50 cm<br>1450R 64.4 dB at 50 cm   |

**Table 19 - Certifications, 6177R Non-display Computers**

For the most current certification information, visit the Rockwell Automation Literature Library website at <https://www.rockwellautomation.com/global/literature-library/overview.page>. Use 6177R-CT as your search criteria.

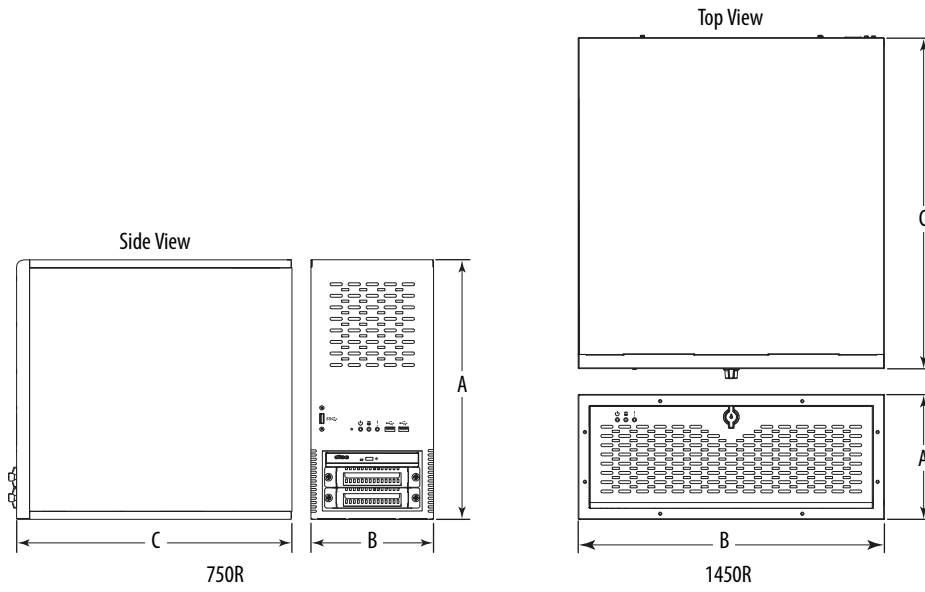
| Certification                     | 750R, 1450R   |                   |   |                                     |  |  |  |  |                |                   |                   |                                     |  |  |               |   |   |   |   |   |   |               |   |   |   |   |   |   |                                |   |   |   |   |   |   |                         |   |   |   |   |   |   |                        |   |   |   |   |   |   |                      |   |   |   |   |   |   |                                   |   |   |   |   |   |   |               |   |   |   |   |   |   |
|-----------------------------------|---|-------------------|---|-------------------------------------|--|--|--|--|----------------|-------------------|-------------------|-------------------------------------|--|--|---------------|---|---|---|---|---|---|---------------|---|---|---|---|---|---|--------------------------------|---|---|---|---|---|---|-------------------------|---|---|---|---|---|---|------------------------|---|---|---|---|---|---|----------------------|---|---|---|---|---|---|-----------------------------------|---|---|---|---|---|---|---------------|---|---|---|---|---|---|
| c-UL-us                           | For details, see <a href="#">6177R-CT005</a> .  |                   |   |                                     |  |  |  |  |                |                   |                   |                                     |  |  |               |   |   |   |   |   |   |               |   |   |   |   |   |   |                                |   |   |   |   |   |   |                         |   |   |   |   |   |   |                        |   |   |   |   |   |   |                      |   |   |   |   |   |   |                                   |   |   |   |   |   |   |               |   |   |   |   |   |   |
| CE                                | For details, see <a href="#">6177R-CT004</a> .  |                   |   |                                     |  |  |  |  |                |                   |                   |                                     |  |  |               |   |   |   |   |   |   |               |   |   |   |   |   |   |                                |   |   |   |   |   |   |                         |   |   |   |   |   |   |                        |   |   |   |   |   |   |                      |   |   |   |   |   |   |                                   |   |   |   |   |   |   |               |   |   |   |   |   |   |
| FCC                               | Class A emissions   |                   |   |                                     |  |  |  |  |                |                   |                   |                                     |  |  |               |   |   |   |   |   |   |               |   |   |   |   |   |   |                                |   |   |   |   |   |   |                         |   |   |   |   |   |   |                        |   |   |   |   |   |   |                      |   |   |   |   |   |   |                                   |   |   |   |   |   |   |               |   |   |   |   |   |   |
| KC                                | For details, see <a href="#">6177R-CT001</a> , <a href="#">6177R-CT002</a> , and <a href="#">6177R-CT003</a> .  |                   |   |                                     |  |  |  |  |                |                   |                   |                                     |  |  |               |   |   |   |   |   |   |               |   |   |   |   |   |   |                                |   |   |   |   |   |   |                         |   |   |   |   |   |   |                        |   |   |   |   |   |   |                      |   |   |   |   |   |   |                                   |   |   |   |   |   |   |               |   |   |   |   |   |   |
| RoHS                              | <p>European RoHS 2011/65/EU. For more details, see <a href="#">6177R-CT004</a>.</p> <p>China RoHS:</p> <table border="1"> <thead> <tr> <th rowspan="2">部件名称<br/>Part Name</th> <th colspan="6">有毒有害物质或元素<br/>Toxic or Hazardous Substances and Elements</th> </tr> <tr> <th>铅<br/>Lead (Pb)</th> <th>汞<br/>Mercury (Hg)</th> <th>镉<br/>Cadmium (Cd)</th> <th>六价铬<br/>Hexavalent Chromium (Cr(VI))</th> <th>多溴联苯<br/>Polybrominated Biphenyls (PBB)</th> <th>多溴二苯醚<br/>Polybrominated Diphenyl Ethers (PBDE)</th> </tr> </thead> <tbody> <tr> <td>壳体<br/>Housing</td> <td>X</td> <td>0</td> <td>0</td> <td>0</td> <td>0</td> <td>0</td> </tr> <tr> <td>显示<br/>Display</td> <td>X</td> <td>0</td> <td>0</td> <td>0</td> <td>0</td> <td>0</td> </tr> <tr> <td>印刷电路板<br/>Printed Circuit Board</td> <td>X</td> <td>0</td> <td>0</td> <td>0</td> <td>0</td> <td>0</td> </tr> <tr> <td>金属螺帽<br/>Metal Fasteners</td> <td>X</td> <td>0</td> <td>0</td> <td>0</td> <td>0</td> <td>0</td> </tr> <tr> <td>电缆组装<br/>Cable Assembly</td> <td>X</td> <td>0</td> <td>0</td> <td>0</td> <td>0</td> <td>0</td> </tr> <tr> <td>风扇组装<br/>Fan Assembly</td> <td>X</td> <td>0</td> <td>0</td> <td>0</td> <td>0</td> <td>0</td> </tr> <tr> <td>电力供应组装<br/>Power Supply Assemblies</td> <td>X</td> <td>0</td> <td>0</td> <td>0</td> <td>0</td> <td>0</td> </tr> <tr> <td>电池<br/>Battery</td> <td>0</td> <td>0</td> <td>0</td> <td>0</td> <td>0</td> <td>0</td> </tr> </tbody> </table> <p>本表格依据SJ/T11364 的规定编制。<br/>This table is made per guidance of SJ/T 11364.</p> <p>0: 表示该有害物质在该部件所有均质材料中的含量均在GB/T26572 规定的限量要求以下。<br/>0: Indicates that this toxic or hazardous substance contained in all of the homogeneous materials for the part is below the limit requirement in GB/T 26572.</p> <p>X: 表示该有害物质至少在该部件的某一均质材料中的含量超出GB/T26572 规定的限量要求。<br/>求。(企业可在此处, 根据实际情况对上表中打“X”的技术原因进行进一步说明。)<br/>X: Indicates that this toxic or hazardous substance contained in at least one of the homogeneous materials for the part is below the limit requirement in GB/T 26572.</p> <p>Turkey RoHS (EEE Yönetmeliğine Uygundur. In Conformity with the EEE Regulation)</p> | 部件名称<br>Part Name | 有毒有害物质或元素<br>Toxic or Hazardous Substances and Elements |                                     |  |  |  |  | 铅<br>Lead (Pb) | 汞<br>Mercury (Hg) | 镉<br>Cadmium (Cd) | 六价铬<br>Hexavalent Chromium (Cr(VI)) | 多溴联苯<br>Polybrominated Biphenyls (PBB) | 多溴二苯醚<br>Polybrominated Diphenyl Ethers (PBDE) | 壳体<br>Housing | X | 0 | 0 | 0 | 0 | 0 | 显示<br>Display | X | 0 | 0 | 0 | 0 | 0 | 印刷电路板<br>Printed Circuit Board | X | 0 | 0 | 0 | 0 | 0 | 金属螺帽<br>Metal Fasteners | X | 0 | 0 | 0 | 0 | 0 | 电缆组装<br>Cable Assembly | X | 0 | 0 | 0 | 0 | 0 | 风扇组装<br>Fan Assembly | X | 0 | 0 | 0 | 0 | 0 | 电力供应组装<br>Power Supply Assemblies | X | 0 | 0 | 0 | 0 | 0 | 电池<br>Battery | 0 | 0 | 0 | 0 | 0 | 0 |
| 部件名称<br>Part Name                 | 有毒有害物质或元素<br>Toxic or Hazardous Substances and Elements   |                   |   |                                     |  |  |  |  |                |                   |                   |                                     |  |  |               |   |   |   |   |   |   |               |   |   |   |   |   |   |                                |   |   |   |   |   |   |                         |   |   |   |   |   |   |                        |   |   |   |   |   |   |                      |   |   |   |   |   |   |                                   |   |   |   |   |   |   |               |   |   |   |   |   |   |
|                                   | 铅<br>Lead (Pb)  | 汞<br>Mercury (Hg) | 镉<br>Cadmium (Cd)                                       | 六价铬<br>Hexavalent Chromium (Cr(VI)) | 多溴联苯<br>Polybrominated Biphenyls (PBB) | 多溴二苯醚<br>Polybrominated Diphenyl Ethers (PBDE) |  |  |                |                   |                   |                                     |  |  |               |   |   |   |   |   |   |               |   |   |   |   |   |   |                                |   |   |   |   |   |   |                         |   |   |   |   |   |   |                        |   |   |   |   |   |   |                      |   |   |   |   |   |   |                                   |   |   |   |   |   |   |               |   |   |   |   |   |   |
| 壳体<br>Housing                     | X   | 0                 | 0   | 0                                   | 0                                      | 0  |  |  |                |                   |                   |                                     |  |  |               |   |   |   |   |   |   |               |   |   |   |   |   |   |                                |   |   |   |   |   |   |                         |   |   |   |   |   |   |                        |   |   |   |   |   |   |                      |   |   |   |   |   |   |                                   |   |   |   |   |   |   |               |   |   |   |   |   |   |
| 显示<br>Display                     | X   | 0                 | 0   | 0                                   | 0                                      | 0  |  |  |                |                   |                   |                                     |  |  |               |   |   |   |   |   |   |               |   |   |   |   |   |   |                                |   |   |   |   |   |   |                         |   |   |   |   |   |   |                        |   |   |   |   |   |   |                      |   |   |   |   |   |   |                                   |   |   |   |   |   |   |               |   |   |   |   |   |   |
| 印刷电路板<br>Printed Circuit Board    | X   | 0                 | 0   | 0                                   | 0                                      | 0  |  |  |                |                   |                   |                                     |  |  |               |   |   |   |   |   |   |               |   |   |   |   |   |   |                                |   |   |   |   |   |   |                         |   |   |   |   |   |   |                        |   |   |   |   |   |   |                      |   |   |   |   |   |   |                                   |   |   |   |   |   |   |               |   |   |   |   |   |   |
| 金属螺帽<br>Metal Fasteners           | X   | 0                 | 0   | 0                                   | 0                                      | 0  |  |  |                |                   |                   |                                     |  |  |               |   |   |   |   |   |   |               |   |   |   |   |   |   |                                |   |   |   |   |   |   |                         |   |   |   |   |   |   |                        |   |   |   |   |   |   |                      |   |   |   |   |   |   |                                   |   |   |   |   |   |   |               |   |   |   |   |   |   |
| 电缆组装<br>Cable Assembly            | X   | 0                 | 0   | 0                                   | 0                                      | 0  |  |  |                |                   |                   |                                     |  |  |               |   |   |   |   |   |   |               |   |   |   |   |   |   |                                |   |   |   |   |   |   |                         |   |   |   |   |   |   |                        |   |   |   |   |   |   |                      |   |   |   |   |   |   |                                   |   |   |   |   |   |   |               |   |   |   |   |   |   |
| 风扇组装<br>Fan Assembly              | X   | 0                 | 0   | 0                                   | 0                                      | 0  |  |  |                |                   |                   |                                     |  |  |               |   |   |   |   |   |   |               |   |   |   |   |   |   |                                |   |   |   |   |   |   |                         |   |   |   |   |   |   |                        |   |   |   |   |   |   |                      |   |   |   |   |   |   |                                   |   |   |   |   |   |   |               |   |   |   |   |   |   |
| 电力供应组装<br>Power Supply Assemblies | X   | 0                 | 0   | 0                                   | 0                                      | 0  |  |  |                |                   |                   |                                     |  |  |               |   |   |   |   |   |   |               |   |   |   |   |   |   |                                |   |   |   |   |   |   |                         |   |   |   |   |   |   |                        |   |   |   |   |   |   |                      |   |   |   |   |   |   |                                   |   |   |   |   |   |   |               |   |   |   |   |   |   |
| 电池<br>Battery                     | 0   | 0                 | 0   | 0                                   | 0                                      | 0  |  |  |                |                   |                   |                                     |  |  |               |   |   |   |   |   |   |               |   |   |   |   |   |   |                                |   |   |   |   |   |   |                         |   |   |   |   |   |   |                        |   |   |   |   |   |   |                      |   |   |   |   |   |   |                                   |   |   |   |   |   |   |               |   |   |   |   |   |   |
| RCM                               | Emissions standards: AS/NZS CISPR 22 Class A  |                   |   |                                     |  |  |  |  |                |                   |                   |                                     |  |  |               |   |   |   |   |   |   |               |   |   |   |   |   |   |                                |   |   |   |   |   |   |                         |   |   |   |   |   |   |                        |   |   |   |   |   |   |                      |   |   |   |   |   |   |                                   |   |   |   |   |   |   |               |   |   |   |   |   |   |

**Table 20 - Technical Specifications, 6177R Non-display Computers**

| Attribute                    | 750R   | 1450R  |
|------------------------------|--|--|
| Display type                 | Requires external monitor  | Requires external monitor  |
| Available operating systems  | Windows 10 IoT Enterprise (64 bit), Windows 7 Professional (64 bit) SP1, or no operating system  |  |
| Performance                  | Windows 10 IoT Enterprise (64 bit), Windows Embedded 8.1 Industry Professional, or Windows 7 Professional (64 bit) SP1   |  |
| Advanced                     | Windows Server 2012 Standard R2, Windows Server 2008 R2 SP1, or no operating system  |  |
| Server                       |  |  |
| Processor                    | Intel Core i3-2120, 3.3 GHz<br>Intel Core i5-2400, 3.1 GHz<br>Intel Core i5-2400, 3.1 GHz  | Intel Core i3-2120, 3.3 GHz<br>Intel Core i5-2400, 3.1 GHz<br>Intel Core i5-2400, 3.1 GHz    |
| Ethernet LAN                 | 2 ports, 10/100/1000 Mbps  |  |
| RAM memory                   | 4 GB DDR3, 32 GB max<br>8 GB DDR3, 32 GB max<br>8 GB DDR3, 32 GB max   | 4 GB DDR3, 32 GB max<br>8 GB DDR3, 32 GB max<br>8 GB DDR3, 32 GB max                         |
| Storage drive <sup>(1)</sup> | (1) 500 GB, 3.5-in. SATA HDD<br>(1) 500 GB, 3.5-in. SATA HDD<br>(2) 500 GB, 3.5-in. SATA HDD   | (1) 500 GB, 3.5-in. SATA HDD<br>(1) 500 GB, 3.5-in. SATA HDD<br>(2) 500 GB, 3.5-in. SATA HDD |
| RAID 1 enabled               | No<br>No<br>Yes  | No<br>No<br>Yes  |
| RAID capabilities            | RAID 0 or RAID 1 with second HDD installed and RAID array configured   |  |
| Optical disk drive (ODD)     | DVD-RW   | DVD-RW   |
| Expansion slots              | <ul style="list-style-type: none"> <li>• 1 PCI (750R) or 4 PCI (1450R)</li> <li>• 1 PCI Express x16</li> <li>• 1 PCI Express x4</li> <li>• 1 PCI Express x1</li> </ul>   |  |
| I/O ports                    | <ul style="list-style-type: none"> <li>• 1 PS/2 keyboard</li> <li>• 1 PS/2 mouse</li> <li>• 2 serial</li> <li>• 1 parallel</li> <li>• 2 Ethernet LAN ports, 1 Gb each</li> <li>• 7 USB 2.0 ports (4 rear, 2 front, 1 internal)</li> <li>• 2 USB 3.0 ports (1 rear, 1 front)</li> <li>• 1 eSATAp (5V, 500 mA)</li> <li>• 2 DVI (DVI-1, DVI-D) DVI-1 port converts to VGA with supplied adapter</li> <li>• Audio line in, audio line out and microphone</li> </ul> |  |
| Input voltage, AC            | 100...240V, autoranging  |  |
| Line frequency               | 50...60 Hz   |  |
| Power consumption, AC        | 10 A at 100V rms, 5 A at 240V rms  |  |
| Input voltage, DC            | —  |  |
| Power consumption, DC        | —  |  |
| Weight, approx               | 13.8 kg (30.36 lb)   | 14.0 kg (30.80 lb)   |
| Dimensions, approx           | See <a href="#">Figure 5 on page 23</a>  |  |
| Mount options                | Machine mount  | 4U rack mount  |

(1) A 1 TB, 3.5-in. SATA HDD is available as an accessory (cat. no. 6189V-35HDD1TB) for all 750R and 1450R computer models.

**Figure 5 - 6177R Non-display Computer Dimensions**



| All dimensions are in mm (in.) |                     |                    |                    |
|--------------------------------|---------------------|--------------------|--------------------|
| 6177R Computer                 | Overall Height<br>A | Overall Width<br>B | Overall Depth<br>C |
| 750R                           | 360 (14.17)         | 170 (6.69)         | 381 (15.01)        |
| 1400R                          | 176 (6.93)          | 431 (16.97)        | 465 (18.31)        |

## Rockwell Automation Industrial Monitors

Rockwell Automation industrial monitors deliver the latest in LCD flat panel technology for rugged industrial environments. VersaView 5100 monitors are designed for applications that require widescreen and multi-touch content. Their stainless steel construction allows them to be used in NEMA 4X and IEC IP66 environments. Bulletin 6186M monitors are better suited for special purpose environments such as UL Class 1 division 2, and food and beverage areas. Bulletin 6176M monitors are designed for environments that are less demanding but still must maintain endurance to temperature, shock and vibration.

[Table 21](#) compares the various industrial monitor features to assist in your purchase.

**Table 21 - Industrial Monitors Comparison**

| Characteristic                     | Industrial Monitor Model   |   |   |
|------------------------------------|--|---|---|
|                                    | VersaView 5100   | 6176M   | 6186M   |
| Display                            | <ul style="list-style-type: none"> <li>• 12.1in widescreen color TFT</li> <li>• 15.6in widescreen color TFT</li> <li>• 18.5in widescreen color TFT</li> <li>• 21.5in widescreen color TFT</li> </ul>                                     | <ul style="list-style-type: none"> <li>• 1550M: 15 in. color TFT</li> <li>• 1750M: 17 in. color TFT</li> <li>• 1950M: 19 in. color TFT</li> </ul>   | <ul style="list-style-type: none"> <li>• 1200M: 12.1 in. color TFT</li> <li>• 1500M: 15 in. color TFT</li> <li>• 1700M: 17 in. color TFT</li> <li>• 1900M: 19 in. color TFT</li> </ul>  |
| Available bezels                   | Tempered glass with stainless steel ring   | <ul style="list-style-type: none"> <li>• Aluminum</li> <li>• Plastic</li> </ul>   | <ul style="list-style-type: none"> <li>• Aluminum</li> <li>• Stainless steel</li> </ul>   |
| Resolution                         | <ul style="list-style-type: none"> <li>• 12.1in: 1280 x 800 16:9 widescreen, 16.7M colors</li> <li>• 15.6in and 18.5in: 1366 x 768 16:9 widescreen, 16.7M colors</li> <li>• 21.5in: 1920 x 1080 16:9 widescreen, 16.7M colors</li> </ul> | <ul style="list-style-type: none"> <li>• 1550M: 1024 x 768, 16.7M colors</li> <li>• 1750M/1950M: 1280 x 1024, 16.7M colors</li> </ul>   | <ul style="list-style-type: none"> <li>• 1200M: 800 x 600, 256K colors</li> <li>• 1500M: 1024 x 768, 16.7M colors</li> <li>• 1700M/1900M: 1280 x 1024, 16.7M colors</li> </ul>  |
| Touch screen                       | Projected capacitive, 10-point multi-touch<br>USB input  | Resistive antiglare<br>RS-232 and USB inputs, model dependent   | Resistive antiglare<br>RS-232 and USB inputs, model dependent   |
| Contrast ratio                     | <ul style="list-style-type: none"> <li>• 12.1in: 1000:1</li> <li>• 15.6in: 500:1</li> <li>• 18.5in: 1000:1</li> <li>• 21.5in: 5000:1</li> </ul>  | <ul style="list-style-type: none"> <li>• 1550M: 400:1</li> <li>• 1750M/1950M: 800:1</li> </ul>  | <ul style="list-style-type: none"> <li>• 1200M: 600:1</li> <li>• 1500M: 400:1</li> <li>• 1700M: 1000:1</li> <li>• 1900M: 1300:1</li> </ul>  |
| Luminance                          | <ul style="list-style-type: none"> <li>• 12.1 in: 400 cd/m<sup>2</sup> (Nits)</li> <li>• 15.6 in: 400 cd/m<sup>2</sup> (Nits)</li> <li>• 18.5 in: 450 cd/m<sup>2</sup> (Nits)</li> <li>• 21.5 in: 350 cd/m<sup>2</sup> (Nits)</li> </ul> | <ul style="list-style-type: none"> <li>• 1550M: 350 cd/m<sup>2</sup> (Nits)</li> <li>• 1750M/1950M: 300 cd/m<sup>2</sup> (Nits)</li> </ul>  | <ul style="list-style-type: none"> <li>• 1500M/1700M: 450 cd/m<sup>2</sup> (Nits)</li> <li>• 1700M/1900M: 300 cd/m<sup>2</sup> (Nits)</li> </ul>  |
| Video input signal                 | DisplayPort, DVI, VGA <sup>(1)</sup>   | DVI and VGA (analog)  | DVI and VGA (analog)  |
| OS drivers, touch screen           | <ul style="list-style-type: none"> <li>• Windows</li> <li>• Linux</li> </ul>   | <ul style="list-style-type: none"> <li>• Windows 10 IoT Enterprise<sup>(2)</sup></li> <li>• Windows Embedded 8.1 Industry Pro<sup>(2)</sup></li> <li>• Windows 7 Pro 64 bit<sup>(2)</sup></li> <li>• Windows 7 Pro 32 bit<sup>(1)</sup></li> <li>• Windows XP Pro<sup>(3)</sup></li> <li>• Windows Server 2012 Standard R2<sup>(2)</sup></li> <li>• Windows Server 2008<sup>(2)</sup></li> <li>• Windows Server 2003<sup>(1)</sup></li> </ul> | <ul style="list-style-type: none"> <li>• Windows 10 IoT Enterprise</li> <li>• Windows Embedded 8.1 Industry Pro<sup>(4)</sup></li> <li>• Windows 7 Pro 64 bit<sup>(4)</sup></li> <li>• Windows 7 Pro 32 bit<sup>(3)</sup></li> <li>• Windows XP Pro<sup>(5)</sup></li> <li>• Windows Server 2012 Standard R2<sup>(4)</sup></li> <li>• Windows Server 2008<sup>(4)</sup></li> <li>• Windows Server 2003<sup>(3)</sup></li> </ul> |
| Power                              | DC   | AC or DC  | AC or DC  |
| Environmental conditions           |  |   |   |
| Temperature                        | 0...50 °C (32...122 °F)  | 0...45 °C (32...113 °F)   | 1200M/1500M: 0...55 °C (32...131 °F)<br>1700M/1900M: 0...50 °C (32...122 °F)  |
| Shock (operating/nonoperating)     | 15 g/30 g  | 15 g/20 g   | 20 g/30 g   |
| Vibration (operating/nonoperating) | 1 g/2 g  | 1 g/2 g   | 2 g/2 g<br>Rated Class 1 Division 2 for hazardous locations<br>Preferred computer: 6181X hazardous location   |
| Mount options                      | <ul style="list-style-type: none"> <li>• Panel</li> <li>• VESA</li> </ul>  | <ul style="list-style-type: none"> <li>• Panel</li> <li>• VESA</li> <li>• Bench/tabletop</li> <li>• Rack (only 1900M)</li> </ul>  | <ul style="list-style-type: none"> <li>• Panel</li> <li>• Bench/tabletop</li> <li>• Rack (only 1900M)</li> </ul>  |

(1) For VGA, cat. no. 6189V-DVIVGA DVI-to-VGA adapter required, which is sold separately.

(2) For Series C or later monitors.

(3) For Series B or later monitors.

(4) For Series G or later monitors.

(5) For Series F or later monitors.



## VersaView 5100 Industrial Monitors

VersaView 5100 industrial monitors are designed for applications that require widescreen content. They have an edge-to-edge, all glass, 10-point multi-touch screen. The touch screens are precalibrated so that recalibration is not necessary. In addition, the stainless steel construction allows them to be used in NEMA 4X and IEC IP66 environments.

The native DisplayPort interface makes them ideal for connecting to VersaView 5000 computers and Thin Clients.



**Table 22 - Environmental Specifications, VersaView 5100 Industrial Monitors**

| Attribute                 | 6200M-12WBN, 6200M-15WBN, 6200M-19WBN, 6200M-22WBN   |
|---------------------------|--|
| Temperature, operating    | 0...50 °C (32...122 °F)  |
| Temperature, nonoperating | -20...+70 °C (-4...+158 °F)  |
| Relative humidity         | 10...90% noncondensing   |
| Vibration, operating      | 1 g at 10...500 Hz   |
| Vibration, nonoperating   | 2 g at 10...500 Hz   |
| Shock, operating          | 15 g (1/2 sine, 11 ms)   |
| Shock, nonoperating       | 30 g (1/2 sine, 11 ms)   |
| Enclosure ratings         | <ul style="list-style-type: none"> <li>• VESA mount: IEC IP20</li> <li>• Panel mount: NEMA 4X, IEC IP66</li> </ul> |

**Table 23 - Certifications, VersaView 5100 Industrial Monitors**

For the most current certification information, visit the Rockwell Automation Literature Library website at <https://www.rockwellautomation.com/global/literature-library/overview.page>. Use 6200-CT as your search criteria.

| Certification                     | 6200M-12WBN, 6200M-15WBN, 6200M-19WBN, 6200M-22WBN   |                      |   |   |  |  |  |  |                   |                      |                      |   |  |  |               |   |   |   |   |   |   |               |   |   |   |   |   |   |                                |   |   |   |   |   |   |                         |   |   |   |   |   |   |                        |   |   |   |   |   |   |                      |   |   |   |   |   |   |                                   |   |   |   |   |   |   |               |   |   |   |   |   |   |
|-----------------------------------|--|----------------------|---|---|--|--|--|--|-------------------|----------------------|----------------------|---|--|--|---------------|---|---|---|---|---|---|---------------|---|---|---|---|---|---|--------------------------------|---|---|---|---|---|---|-------------------------|---|---|---|---|---|---|------------------------|---|---|---|---|---|---|----------------------|---|---|---|---|---|---|-----------------------------------|---|---|---|---|---|---|---------------|---|---|---|---|---|---|
| c-UL-us                           | For details, see <a href="#">6200-CT007</a> .  |                      |   |   |  |  |  |  |                   |                      |                      |   |  |  |               |   |   |   |   |   |   |               |   |   |   |   |   |   |                                |   |   |   |   |   |   |                         |   |   |   |   |   |   |                        |   |   |   |   |   |   |                      |   |   |   |   |   |   |                                   |   |   |   |   |   |   |               |   |   |   |   |   |   |
| CE                                | For details, see <a href="#">6200-CT002</a> .  |                      |   |   |  |  |  |  |                   |                      |                      |   |  |  |               |   |   |   |   |   |   |               |   |   |   |   |   |   |                                |   |   |   |   |   |   |                         |   |   |   |   |   |   |                        |   |   |   |   |   |   |                      |   |   |   |   |   |   |                                   |   |   |   |   |   |   |               |   |   |   |   |   |   |
| EAC                               | For details, see <a href="#">6200-CT005</a> .  |                      |   |   |  |  |  |  |                   |                      |                      |   |  |  |               |   |   |   |   |   |   |               |   |   |   |   |   |   |                                |   |   |   |   |   |   |                         |   |   |   |   |   |   |                        |   |   |   |   |   |   |                      |   |   |   |   |   |   |                                   |   |   |   |   |   |   |               |   |   |   |   |   |   |
| FCC                               | Class A emissions  |                      |   |   |  |  |  |  |                   |                      |                      |   |  |  |               |   |   |   |   |   |   |               |   |   |   |   |   |   |                                |   |   |   |   |   |   |                         |   |   |   |   |   |   |                        |   |   |   |   |   |   |                      |   |   |   |   |   |   |                                   |   |   |   |   |   |   |               |   |   |   |   |   |   |
| KC                                | For details, see <a href="#">6200-CT008</a> .  |                      |   |   |  |  |  |  |                   |                      |                      |   |  |  |               |   |   |   |   |   |   |               |   |   |   |   |   |   |                                |   |   |   |   |   |   |                         |   |   |   |   |   |   |                        |   |   |   |   |   |   |                      |   |   |   |   |   |   |                                   |   |   |   |   |   |   |               |   |   |   |   |   |   |
| RCM                               | For details, see <a href="#">6200-CT004</a> .  |                      |   |   |  |  |  |  |                   |                      |                      |   |  |  |               |   |   |   |   |   |   |               |   |   |   |   |   |   |                                |   |   |   |   |   |   |                         |   |   |   |   |   |   |                        |   |   |   |   |   |   |                      |   |   |   |   |   |   |                                   |   |   |   |   |   |   |               |   |   |   |   |   |   |
| RoHS                              | <p>European RoHS 2011/65/EU. For more details, see <a href="#">6200-CT007</a>.<br/>China RoHS:</p> <table border="1"> <thead> <tr> <th rowspan="2">部件名称<br/>Part Name</th> <th colspan="6">有毒有害物质或元素<br/>Toxic or Hazardous Substances and Elements</th> </tr> <tr> <th>铅<br/>Lead<br/>(Pb)</th> <th>汞<br/>Mercury<br/>(Hg)</th> <th>镉<br/>Cadmium<br/>(Cd)</th> <th>六价铬<br/>Hexavalent<br/>Chromium<br/>(Cr(VI))</th> <th>多溴联苯<br/>Polybrominated<br/>Biphenyls<br/>(PBB)</th> <th>多溴二苯醚<br/>Polybrominated<br/>Diphenyl Ethers<br/>(PBDE)</th> </tr> </thead> <tbody> <tr> <td>壳体<br/>Housing</td> <td>X</td> <td>0</td> <td>0</td> <td>0</td> <td>0</td> <td>0</td> </tr> <tr> <td>显示<br/>Display</td> <td>X</td> <td>0</td> <td>0</td> <td>0</td> <td>0</td> <td>0</td> </tr> <tr> <td>印刷电路板<br/>Printed Circuit Board</td> <td>X</td> <td>0</td> <td>0</td> <td>0</td> <td>0</td> <td>0</td> </tr> <tr> <td>金属螺帽<br/>Metal Fasteners</td> <td>X</td> <td>0</td> <td>0</td> <td>0</td> <td>0</td> <td>0</td> </tr> <tr> <td>电缆组装<br/>Cable Assembly</td> <td>X</td> <td>0</td> <td>0</td> <td>0</td> <td>0</td> <td>0</td> </tr> <tr> <td>风扇组装<br/>Fan Assembly</td> <td>X</td> <td>0</td> <td>0</td> <td>0</td> <td>0</td> <td>0</td> </tr> <tr> <td>电力供应组装<br/>Power Supply Assemblies</td> <td>X</td> <td>0</td> <td>0</td> <td>0</td> <td>0</td> <td>0</td> </tr> <tr> <td>电池<br/>Battery</td> <td>0</td> <td>0</td> <td>0</td> <td>0</td> <td>0</td> <td>0</td> </tr> </tbody> </table> <p>本表格依据SJ/T11364 的规定编制。<br/>This table is made per guidance of SJ/T 11364.</p> <p>0: 表示该有害物质在该部件所有均质材料中的含量均在GB/T26572 规定的限量要求以下。<br/>0: Indicates that this toxic or hazardous substance contained in all of the homogeneous materials for the part is below the limit requirement in GB/T 26572.</p> <p>X: 表示该有害物质至少在该部件的某一均质材料中的含量超出GB/T26572 规定的限量要求。<br/>求。(企业可在此处,根据实际情况对上表中打“×”的技术原因进行进一步说明。)<br/>X: Indicates that this toxic or hazardous substance contained in at least one of the homogeneous materials for the part is below the limit requirement in GB/T 26572.</p> <p>Turkey RoHS (EEE Yönetmeliğine Uygundur. In Conformity with the EEE Regulation)</p> | 部件名称<br>Part Name    | 有毒有害物质或元素<br>Toxic or Hazardous Substances and Elements |   |  |  |  |  | 铅<br>Lead<br>(Pb) | 汞<br>Mercury<br>(Hg) | 镉<br>Cadmium<br>(Cd) | 六价铬<br>Hexavalent<br>Chromium<br>(Cr(VI)) | 多溴联苯<br>Polybrominated<br>Biphenyls<br>(PBB) | 多溴二苯醚<br>Polybrominated<br>Diphenyl Ethers<br>(PBDE) | 壳体<br>Housing | X | 0 | 0 | 0 | 0 | 0 | 显示<br>Display | X | 0 | 0 | 0 | 0 | 0 | 印刷电路板<br>Printed Circuit Board | X | 0 | 0 | 0 | 0 | 0 | 金属螺帽<br>Metal Fasteners | X | 0 | 0 | 0 | 0 | 0 | 电缆组装<br>Cable Assembly | X | 0 | 0 | 0 | 0 | 0 | 风扇组装<br>Fan Assembly | X | 0 | 0 | 0 | 0 | 0 | 电力供应组装<br>Power Supply Assemblies | X | 0 | 0 | 0 | 0 | 0 | 电池<br>Battery | 0 | 0 | 0 | 0 | 0 | 0 |
| 部件名称<br>Part Name                 | 有毒有害物质或元素<br>Toxic or Hazardous Substances and Elements  |                      |   |   |  |  |  |  |                   |                      |                      |   |  |  |               |   |   |   |   |   |   |               |   |   |   |   |   |   |                                |   |   |   |   |   |   |                         |   |   |   |   |   |   |                        |   |   |   |   |   |   |                      |   |   |   |   |   |   |                                   |   |   |   |   |   |   |               |   |   |   |   |   |   |
|                                   | 铅<br>Lead<br>(Pb)  | 汞<br>Mercury<br>(Hg) | 镉<br>Cadmium<br>(Cd)                                    | 六价铬<br>Hexavalent<br>Chromium<br>(Cr(VI)) | 多溴联苯<br>Polybrominated<br>Biphenyls<br>(PBB) | 多溴二苯醚<br>Polybrominated<br>Diphenyl Ethers<br>(PBDE) |  |  |                   |                      |                      |   |  |  |               |   |   |   |   |   |   |               |   |   |   |   |   |   |                                |   |   |   |   |   |   |                         |   |   |   |   |   |   |                        |   |   |   |   |   |   |                      |   |   |   |   |   |   |                                   |   |   |   |   |   |   |               |   |   |   |   |   |   |
| 壳体<br>Housing                     | X  | 0                    | 0   | 0   | 0  | 0  |  |  |                   |                      |                      |   |  |  |               |   |   |   |   |   |   |               |   |   |   |   |   |   |                                |   |   |   |   |   |   |                         |   |   |   |   |   |   |                        |   |   |   |   |   |   |                      |   |   |   |   |   |   |                                   |   |   |   |   |   |   |               |   |   |   |   |   |   |
| 显示<br>Display                     | X  | 0                    | 0   | 0   | 0  | 0  |  |  |                   |                      |                      |   |  |  |               |   |   |   |   |   |   |               |   |   |   |   |   |   |                                |   |   |   |   |   |   |                         |   |   |   |   |   |   |                        |   |   |   |   |   |   |                      |   |   |   |   |   |   |                                   |   |   |   |   |   |   |               |   |   |   |   |   |   |
| 印刷电路板<br>Printed Circuit Board    | X  | 0                    | 0   | 0   | 0  | 0  |  |  |                   |                      |                      |   |  |  |               |   |   |   |   |   |   |               |   |   |   |   |   |   |                                |   |   |   |   |   |   |                         |   |   |   |   |   |   |                        |   |   |   |   |   |   |                      |   |   |   |   |   |   |                                   |   |   |   |   |   |   |               |   |   |   |   |   |   |
| 金属螺帽<br>Metal Fasteners           | X  | 0                    | 0   | 0   | 0  | 0  |  |  |                   |                      |                      |   |  |  |               |   |   |   |   |   |   |               |   |   |   |   |   |   |                                |   |   |   |   |   |   |                         |   |   |   |   |   |   |                        |   |   |   |   |   |   |                      |   |   |   |   |   |   |                                   |   |   |   |   |   |   |               |   |   |   |   |   |   |
| 电缆组装<br>Cable Assembly            | X  | 0                    | 0   | 0   | 0  | 0  |  |  |                   |                      |                      |   |  |  |               |   |   |   |   |   |   |               |   |   |   |   |   |   |                                |   |   |   |   |   |   |                         |   |   |   |   |   |   |                        |   |   |   |   |   |   |                      |   |   |   |   |   |   |                                   |   |   |   |   |   |   |               |   |   |   |   |   |   |
| 风扇组装<br>Fan Assembly              | X  | 0                    | 0   | 0   | 0  | 0  |  |  |                   |                      |                      |   |  |  |               |   |   |   |   |   |   |               |   |   |   |   |   |   |                                |   |   |   |   |   |   |                         |   |   |   |   |   |   |                        |   |   |   |   |   |   |                      |   |   |   |   |   |   |                                   |   |   |   |   |   |   |               |   |   |   |   |   |   |
| 电力供应组装<br>Power Supply Assemblies | X  | 0                    | 0   | 0   | 0  | 0  |  |  |                   |                      |                      |   |  |  |               |   |   |   |   |   |   |               |   |   |   |   |   |   |                                |   |   |   |   |   |   |                         |   |   |   |   |   |   |                        |   |   |   |   |   |   |                      |   |   |   |   |   |   |                                   |   |   |   |   |   |   |               |   |   |   |   |   |   |
| 电池<br>Battery                     | 0  | 0                    | 0   | 0   | 0  | 0  |  |  |                   |                      |                      |   |  |  |               |   |   |   |   |   |   |               |   |   |   |   |   |   |                                |   |   |   |   |   |   |                         |   |   |   |   |   |   |                        |   |   |   |   |   |   |                      |   |   |   |   |   |   |                                   |   |   |   |   |   |   |               |   |   |   |   |   |   |

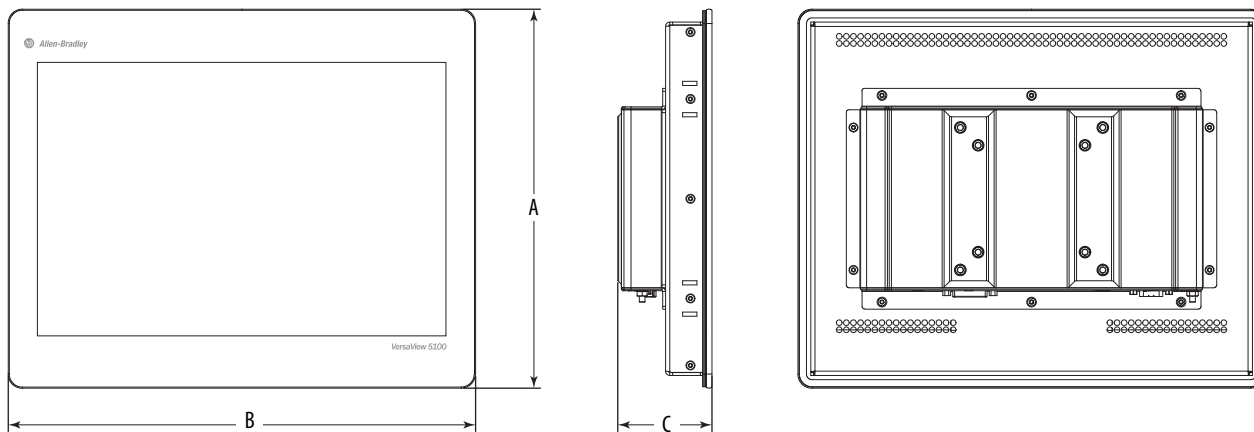
**Table 24 - Technical Specifications, VersaView 5100 Industrial Monitors**

| Attribute                              | 6200M-12WBN  | 6200M-15WBN                         | 6200M-19WBN                         | 6200M-22WBN                          |
|--|--|-------------------------------------|-------------------------------------|--------------------------------------|
| Display type                           | Color active-matrix TFT LCD                                    |                                     |                                     |                                      |
| Display size, diagonal                 | 12.1 in. (307 mm)  | 15.6 in. (396 mm)                   | 18.5 in. (470 mm)                   | 21.5 in. (546 mm)                    |
| Display area (W x H)                   | 261.1 x 163.2 mm (10.28 x 6.43 in.)                            | 344.2 x 193.5 mm (13.55 x 7.62 in.) | 409.8 x 230.4 mm (16.13 x 9.07 in.) | 476.6 x 268.1 mm (18.76 x 10.56 in.) |
| Resolution, native mode                | 1280 x 800   | 1366 x 768                          |                                     | 1920 x 1080                          |
| Luminance                              | 400 cd/m <sup>2</sup> (Nits)                                   |                                     | 450 cd/m <sup>2</sup> (Nits)        | 350 cd/m <sup>2</sup> (Nits)         |
| Contrast ratio, typical                | 1000:1   | 500:1                               | 1000:1                              | 5000:1                               |
| Response time, max<br>• Fall<br>• Rise | • 4 ms<br>• 9 ms   |                                     | • 2.5 ms<br>• 5 ms                  | • 10 ms<br>• 25 ms                   |
| Status indicator backlight lifetime    | 100,000 hours at 25 °C (77 °F)                                 | 50,000 hours at 25 °C (77 °F)       |                                     |                                      |
| Backlight type                         | Light-emitting diode   |                                     |                                     |                                      |
| Bezel type                             | Tempered glass with stainless steel ring                       |                                     |                                     |                                      |
| Touch screen                           | Projected capacitive (PCAP), 10-point multi-touch<br>USB input |                                     |                                     |                                      |
| Touch screen controller                | EETI/eGalax  |                                     |                                     |                                      |
| OS drivers, touch screen               | • Windows<br>• Linux   |                                     |                                     |                                      |
| USB hub                                | None   |                                     |                                     |                                      |
| Video input connectors                 | • DisplayPort<br>• DVI<br>• VGA <sup>(1)</sup>                 |                                     |                                     |                                      |
| OSD controls                           | Via software utility <sup>(2)</sup>                            |                                     |                                     |                                      |
| Input voltage, DC                      | 24V DC   |                                     |                                     |                                      |
| Power consumption, max                 | 11.7 W   | 12.1 W                              | 15.3 W                              | 25.5 W                               |
| Dimensions, approx                     | See <a href="#">Figure 6 on page 28</a>                        |                                     |                                     |                                      |
| Cutout dimensions                      |  |                                     |                                     |                                      |
| Weight, approx                         | 4.08 kg (9 lb)   | 5.39 kg (11.9 lb)                   | 6.75 kg (14.9 lb)                   | 7.98 kg (17.6 lb)                    |
| Mount options                          | • VESA 75/100<br>• Panel mount                                 |                                     |                                     |                                      |

(1) Can be used for VGA with DVI-to-VGA adapter, cat. no. 6189V-DVIVGA, which is sold separately.

(2) Available for download from the Rockwell Automation Product Compatibility and Download Center (PCDC), <https://compatibility.rockwellautomation.com/Pages/home.aspx>.

**Figure 6 - VersaView 5100 Industrial Monitors Dimensions**



| VersaView Model | All dimensions are in mm (in.) |             |            |               |              |
|-----------------|--------------------------------|-------------|------------|---------------|--------------|
|                 | Height A                       | Width B     | Depth C    | Cutout Height | Cutout Width |
| 6200M-12WBN     | 266 (10.47)                    | 328 (12.91) | 66.1 (2.6) | 250 (9.84)    | 312 (12.28)  |
| 6200M-15WBN     | 298 (11.73)                    | 414 (16.3)  |            | 282 (11.1)    | 398 (15.67)  |
| 6200M-19WBN     | 337 (13.27)                    | 480 (18.9)  |            | 321 (12.64)   | 464 (18.27)  |
| 6200M-22WBN     | 373 (14.68)                    | 545 (21.46) |            | 357 (14.06)   | 529 (20.83)  |



Aluminum Bezel Model



Stainless Steel Bezel Model

**6186M Performance Industrial Monitors**

The 6186M performance monitors are best suited for special purpose environments, such as Class 1 Division 2, and Food and Beverage areas, providing excellent protection against heat, shock, and vibration.

**Table 25 - Environmental Specifications, 6186M Performance Industrial Monitors**

| Attribute                        | 1200M, 1500M, 1700M, 1900M   |
|----------------------------------|--|
| Temperature, operating           | 1200M, 1500M<br>0...55 °C (32...131 °F)<br>1700M, 1900M<br>0...50 °C (32...122 °F) |
| Temperature, nonoperating        | -20...+60 °C (-4...+140 °F)  |
| Relative humidity                | 10...90% noncondensing   |
| Vibration, operating             | 2 g at 10...640 Hz   |
| Vibration, nonoperating          | 2 g at 10...640 Hz   |
| Shock, operating                 | 20 g (1/2 sine, 11 ms)   |
| Shock, nonoperating              | 30 g (1/2 sine, 11 ms)   |
| Enclosure ratings <sup>(1)</sup> | NEMA / UL 50 Type 1, 4, 4X, 12, and IEC IP66                                       |

(1) Applies only to panel-mounted monitors.

**Table 26 - Certifications, 6186M Performance Industrial Monitors**

For the most current certification information, visit the Rockwell Automation Literature Library website at <https://www.rockwellautomation.com/global/literature-library/overview.page>. Use 6186M-CT as your search criteria.

| Certification                     | 1200M, 1500M, 1700M, 1900M   |                      |   |   |  |  |  |  |                   |                      |                      |   |  |  |               |   |   |   |   |   |   |               |   |   |   |   |   |   |                                |   |   |   |   |   |   |                         |   |   |   |   |   |   |                        |   |   |   |   |   |   |                      |   |   |   |   |   |   |                                   |   |   |   |   |   |   |               |   |   |   |   |   |   |
|-----------------------------------|--|----------------------|---|---|--|--|--|--|-------------------|----------------------|----------------------|---|--|--|---------------|---|---|---|---|---|---|---------------|---|---|---|---|---|---|--------------------------------|---|---|---|---|---|---|-------------------------|---|---|---|---|---|---|------------------------|---|---|---|---|---|---|----------------------|---|---|---|---|---|---|-----------------------------------|---|---|---|---|---|---|---------------|---|---|---|---|---|---|
| c-UL-us                           | For details, see <a href="#">6186M-CT004</a> .   |                      |   |   |  |  |  |  |                   |                      |                      |   |  |  |               |   |   |   |   |   |   |               |   |   |   |   |   |   |                                |   |   |   |   |   |   |                         |   |   |   |   |   |   |                        |   |   |   |   |   |   |                      |   |   |   |   |   |   |                                   |   |   |   |   |   |   |               |   |   |   |   |   |   |
| CE                                | For details, see <a href="#">6186M-CT003</a> .   |                      |   |   |  |  |  |  |                   |                      |                      |   |  |  |               |   |   |   |   |   |   |               |   |   |   |   |   |   |                                |   |   |   |   |   |   |                         |   |   |   |   |   |   |                        |   |   |   |   |   |   |                      |   |   |   |   |   |   |                                   |   |   |   |   |   |   |               |   |   |   |   |   |   |
| KC                                | For details, see <a href="#">6186M-CT001</a> (17-in.) and <a href="#">6186M-CT002</a> (19-in.).  |                      |   |   |  |  |  |  |                   |                      |                      |   |  |  |               |   |   |   |   |   |   |               |   |   |   |   |   |   |                                |   |   |   |   |   |   |                         |   |   |   |   |   |   |                        |   |   |   |   |   |   |                      |   |   |   |   |   |   |                                   |   |   |   |   |   |   |               |   |   |   |   |   |   |
| RCM                               | Australian Radiocommunications Act, compliance with:<br>AS/NZS 3548 (CISPR 22, EN55022)  |                      |   |   |  |  |  |  |                   |                      |                      |   |  |  |               |   |   |   |   |   |   |               |   |   |   |   |   |   |                                |   |   |   |   |   |   |                         |   |   |   |   |   |   |                        |   |   |   |   |   |   |                      |   |   |   |   |   |   |                                   |   |   |   |   |   |   |               |   |   |   |   |   |   |
| RoHS                              | <p>European RoHS 2011/65/EU. For more details, see <a href="#">6186M-CT003</a>.</p> <p>China RoHS:</p> <table border="1"> <thead> <tr> <th rowspan="2">部件名称<br/>Part Name</th> <th colspan="6">有毒有害物质或元素<br/>Toxic or Hazardous Substances and Elements</th> </tr> <tr> <th>铅<br/>Lead<br/>(Pb)</th> <th>汞<br/>Mercury<br/>(Hg)</th> <th>镉<br/>Cadmium<br/>(Cd)</th> <th>六价铬<br/>Hexavalent<br/>Chromium<br/>(Cr(VI))</th> <th>多溴联苯<br/>Polybrominated<br/>Biphenyls<br/>(PBB)</th> <th>多溴二苯醚<br/>Polybrominated<br/>Diphenyl Ethers<br/>(PBDE)</th> </tr> </thead> <tbody> <tr> <td>壳体<br/>Housing</td> <td>X</td> <td>0</td> <td>0</td> <td>0</td> <td>0</td> <td>0</td> </tr> <tr> <td>显示<br/>Display</td> <td>X</td> <td>0</td> <td>0</td> <td>0</td> <td>0</td> <td>0</td> </tr> <tr> <td>印刷电路板<br/>Printed Circuit Board</td> <td>X</td> <td>0</td> <td>0</td> <td>0</td> <td>0</td> <td>0</td> </tr> <tr> <td>金属螺帽<br/>Metal Fasteners</td> <td>X</td> <td>0</td> <td>0</td> <td>0</td> <td>0</td> <td>0</td> </tr> <tr> <td>电缆组装<br/>Cable Assembly</td> <td>X</td> <td>0</td> <td>0</td> <td>0</td> <td>0</td> <td>0</td> </tr> <tr> <td>风扇组装<br/>Fan Assembly</td> <td>X</td> <td>0</td> <td>0</td> <td>0</td> <td>0</td> <td>0</td> </tr> <tr> <td>电力供应组装<br/>Power Supply Assemblies</td> <td>X</td> <td>0</td> <td>0</td> <td>0</td> <td>0</td> <td>0</td> </tr> <tr> <td>电池<br/>Battery</td> <td>0</td> <td>0</td> <td>0</td> <td>0</td> <td>0</td> <td>0</td> </tr> </tbody> </table> <p>本表格依据SJ/T11364 的规定编制。<br/>This table is made per guidance of SJ/T 11364.</p> <p>0: 表示该有害物质在该部件所有均质材料中的含量均在GB/T26572 规定的限量要求以下。<br/>0: Indicates that this toxic or hazardous substance contained in all of the homogeneous materials for the part is below the limit requirement in GB/T 26572.</p> <p>X: 表示该有害物质至少在该部件的某一均质材料中的含量超出GB/T26572 规定的限量要求。<br/>求。(企业可在此处,根据实际情况对上表中打“×”的技术原因进行进一步说明。)<br/>X: Indicates that this toxic or hazardous substance contained in at least one of the homogeneous materials for the part is below the limit requirement in GB/T 26572.</p> <p>Turkey RoHS (EEE Yönetmeliğine Uygundur. In Conformity with the EEE Regulation)</p> | 部件名称<br>Part Name    | 有毒有害物质或元素<br>Toxic or Hazardous Substances and Elements |   |  |  |  |  | 铅<br>Lead<br>(Pb) | 汞<br>Mercury<br>(Hg) | 镉<br>Cadmium<br>(Cd) | 六价铬<br>Hexavalent<br>Chromium<br>(Cr(VI)) | 多溴联苯<br>Polybrominated<br>Biphenyls<br>(PBB) | 多溴二苯醚<br>Polybrominated<br>Diphenyl Ethers<br>(PBDE) | 壳体<br>Housing | X | 0 | 0 | 0 | 0 | 0 | 显示<br>Display | X | 0 | 0 | 0 | 0 | 0 | 印刷电路板<br>Printed Circuit Board | X | 0 | 0 | 0 | 0 | 0 | 金属螺帽<br>Metal Fasteners | X | 0 | 0 | 0 | 0 | 0 | 电缆组装<br>Cable Assembly | X | 0 | 0 | 0 | 0 | 0 | 风扇组装<br>Fan Assembly | X | 0 | 0 | 0 | 0 | 0 | 电力供应组装<br>Power Supply Assemblies | X | 0 | 0 | 0 | 0 | 0 | 电池<br>Battery | 0 | 0 | 0 | 0 | 0 | 0 |
| 部件名称<br>Part Name                 | 有毒有害物质或元素<br>Toxic or Hazardous Substances and Elements  |                      |   |   |  |  |  |  |                   |                      |                      |   |  |  |               |   |   |   |   |   |   |               |   |   |   |   |   |   |                                |   |   |   |   |   |   |                         |   |   |   |   |   |   |                        |   |   |   |   |   |   |                      |   |   |   |   |   |   |                                   |   |   |   |   |   |   |               |   |   |   |   |   |   |
|                                   | 铅<br>Lead<br>(Pb)  | 汞<br>Mercury<br>(Hg) | 镉<br>Cadmium<br>(Cd)                                    | 六价铬<br>Hexavalent<br>Chromium<br>(Cr(VI)) | 多溴联苯<br>Polybrominated<br>Biphenyls<br>(PBB) | 多溴二苯醚<br>Polybrominated<br>Diphenyl Ethers<br>(PBDE) |  |  |                   |                      |                      |   |  |  |               |   |   |   |   |   |   |               |   |   |   |   |   |   |                                |   |   |   |   |   |   |                         |   |   |   |   |   |   |                        |   |   |   |   |   |   |                      |   |   |   |   |   |   |                                   |   |   |   |   |   |   |               |   |   |   |   |   |   |
| 壳体<br>Housing                     | X  | 0                    | 0   | 0   | 0  | 0  |  |  |                   |                      |                      |   |  |  |               |   |   |   |   |   |   |               |   |   |   |   |   |   |                                |   |   |   |   |   |   |                         |   |   |   |   |   |   |                        |   |   |   |   |   |   |                      |   |   |   |   |   |   |                                   |   |   |   |   |   |   |               |   |   |   |   |   |   |
| 显示<br>Display                     | X  | 0                    | 0   | 0   | 0  | 0  |  |  |                   |                      |                      |   |  |  |               |   |   |   |   |   |   |               |   |   |   |   |   |   |                                |   |   |   |   |   |   |                         |   |   |   |   |   |   |                        |   |   |   |   |   |   |                      |   |   |   |   |   |   |                                   |   |   |   |   |   |   |               |   |   |   |   |   |   |
| 印刷电路板<br>Printed Circuit Board    | X  | 0                    | 0   | 0   | 0  | 0  |  |  |                   |                      |                      |   |  |  |               |   |   |   |   |   |   |               |   |   |   |   |   |   |                                |   |   |   |   |   |   |                         |   |   |   |   |   |   |                        |   |   |   |   |   |   |                      |   |   |   |   |   |   |                                   |   |   |   |   |   |   |               |   |   |   |   |   |   |
| 金属螺帽<br>Metal Fasteners           | X  | 0                    | 0   | 0   | 0  | 0  |  |  |                   |                      |                      |   |  |  |               |   |   |   |   |   |   |               |   |   |   |   |   |   |                                |   |   |   |   |   |   |                         |   |   |   |   |   |   |                        |   |   |   |   |   |   |                      |   |   |   |   |   |   |                                   |   |   |   |   |   |   |               |   |   |   |   |   |   |
| 电缆组装<br>Cable Assembly            | X  | 0                    | 0   | 0   | 0  | 0  |  |  |                   |                      |                      |   |  |  |               |   |   |   |   |   |   |               |   |   |   |   |   |   |                                |   |   |   |   |   |   |                         |   |   |   |   |   |   |                        |   |   |   |   |   |   |                      |   |   |   |   |   |   |                                   |   |   |   |   |   |   |               |   |   |   |   |   |   |
| 风扇组装<br>Fan Assembly              | X  | 0                    | 0   | 0   | 0  | 0  |  |  |                   |                      |                      |   |  |  |               |   |   |   |   |   |   |               |   |   |   |   |   |   |                                |   |   |   |   |   |   |                         |   |   |   |   |   |   |                        |   |   |   |   |   |   |                      |   |   |   |   |   |   |                                   |   |   |   |   |   |   |               |   |   |   |   |   |   |
| 电力供应组装<br>Power Supply Assemblies | X  | 0                    | 0   | 0   | 0  | 0  |  |  |                   |                      |                      |   |  |  |               |   |   |   |   |   |   |               |   |   |   |   |   |   |                                |   |   |   |   |   |   |                         |   |   |   |   |   |   |                        |   |   |   |   |   |   |                      |   |   |   |   |   |   |                                   |   |   |   |   |   |   |               |   |   |   |   |   |   |
| 电池<br>Battery                     | 0  | 0                    | 0   | 0   | 0  | 0  |  |  |                   |                      |                      |   |  |  |               |   |   |   |   |   |   |               |   |   |   |   |   |   |                                |   |   |   |   |   |   |                         |   |   |   |   |   |   |                        |   |   |   |   |   |   |                      |   |   |   |   |   |   |                                   |   |   |   |   |   |   |               |   |   |   |   |   |   |

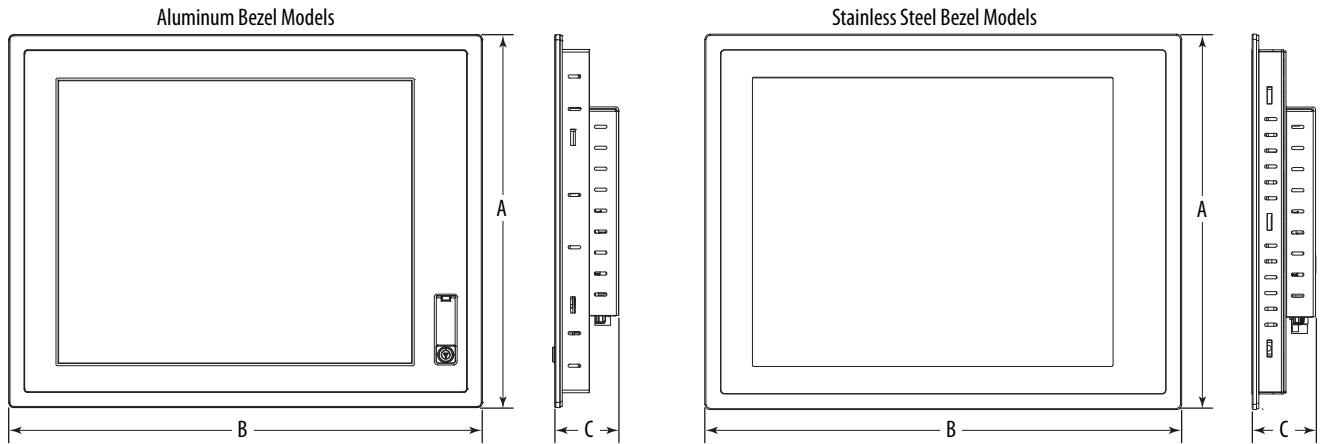
**Table 27 - Technical Specifications, 6186M Performance Industrial Monitors**

| Attribute                           | 1200M   | 1500M   | 1700M   | 1900M  |
|-------------------------------------|---|---|---|--|
| Display type                        | Color active-matrix TFT LCD   |   |   |  |
| Display size, diagonal              | 12.1 in. (307 mm)   | 15 in. (381 mm)   | 17 in. (432 mm)   | 19 in. (483 mm)  |
| Display area (WxH)                  | 246 x 185 mm (9.7 x 7.3 in.)  | 305 x 229 mm (12 x 9 in.)   | 338 x 270 mm (13.3 x 10.6 in.)  | 377x 302 mm (14.8 x 11.9 in.)  |
| Resolution, native mode             | 800 x 600<br>262K colors  | 1024 x 768<br>16.2M colors  | 1280 x 1024<br>16.7M colors   |  |
| Luminance                           | 450 cd/m <sup>2</sup> Nits  |   | 300 cd/m <sup>2</sup> Nits  |  |
| Contrast ratio                      | 600:1, typical  | 400:1, typical  | 1000:1, typical   | 1300:1, typical  |
| Response time, max                  | 35 ms   | 16 ms   | 8 ms  |  |
| Status indicator backlight lifetime | 50,000 hours at 25 °C (77 °F)   |   |   |  |
| Bezel                               | Aluminum  | <ul style="list-style-type: none"> <li>Aluminum</li> <li>Stainless steel</li> </ul>                                     |   |  |
| Touch screen option                 | Resistive antiglare (RS-232 and USB inputs), model dependent  |   |   |  |
| OS drivers, touch screen            | <ul style="list-style-type: none"> <li>Windows 10 IoT Enterprise</li> <li>Windows Embedded 8.1 Industry Pro<sup>(2)</sup></li> <li>Windows 7 Pro 64 bit<sup>(1)</sup></li> <li>Windows 7 Pro 32 bit<sup>(1)</sup></li> <li>Windows XP Pro<sup>(2)</sup></li> <li>Windows Server 2012 Standard R2<sup>(2)</sup></li> <li>Windows Server 2008<sup>(2)</sup></li> <li>Windows Server 2003<sup>(1)</sup></li> </ul> |   |   |  |
| USB hub                             | (2) rear USB 2.0 ports, 500 mA per port<br>(1) front USB 2.0 port, 500 mA (only on aluminum bezel models)   |   |   |  |
| Video input signal                  | DVI and VGA   |   |   |  |
| Video input connectors              | HD-15 VGA for analog video signal<br>DVI for digital video signal   |   |   |  |
| OSD controls (on rear)              | <ul style="list-style-type: none"> <li>Automatic screen setup (OSD)</li> <li>Brightness</li> <li>Contrast</li> <li>Horizontal position</li> <li>Vertical position</li> <li>Image lock</li> <li>Color balance</li> <li>Sync detect</li> </ul>  |   |   |  |
| Input voltage, AC                   | 100...240V AC autoranging, 47...63, requires power adapter  |   |   |  |
| Power consumption, max              | 34 W  | 34 W  | 55 W  | 57 W   |
| Input voltage, DC                   | 9...36V DC (24V DC nominal)   |   |   |  |
| Weight, approx                      | 4.4 kg (9.75 lb)  | <ul style="list-style-type: none"> <li>Aluminum: 7.3 kg (16.0 lb)</li> <li>Stainless steel: 8.6 kg (19.0 lb)</li> </ul> | <ul style="list-style-type: none"> <li>Aluminum: 8.6 kg (19.0 lb)</li> <li>Stainless steel: 10.1 kg (22.25 lb)</li> </ul> | <ul style="list-style-type: none"> <li>Aluminum: 10.2 kg (22.5 lb)</li> <li>Stainless steel: 11.9 kg (26.25 lb)</li> </ul> |
| Dimensions, approx                  | See <a href="#">Figure 7 on page 31</a>   |   |   |  |
| Cutout dimensions                   |   |   |   |  |
| Mount options                       | <ul style="list-style-type: none"> <li>Panel</li> <li>Bench/tabletop</li> <li>DIN rail for AC power adapter</li> </ul>  |   |   | <ul style="list-style-type: none"> <li>Panel</li> <li>Bench/tabletop</li> <li>DIN rail for AC power adapter</li> </ul>     |

(1) For Series G or later monitors.

(2) For Series F or later monitors.

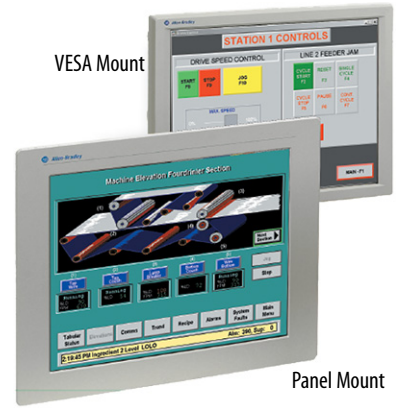
**Figure 7 - 6186M Performance Industrial Monitor Dimensions**



| 6186M Model | All dimensions are in mm (in.) |             |           |               |               |
|-------------|--------------------------------|-------------|-----------|---------------|---------------|
|             | Height A                       | Width B     | Depth C   | Cutout Height | Cutout Width  |
| 1200M       | 260 (10.24)                    | 340 (13.39) | 61 (2.40) | 238 (9.37)    | 318 (12.51)   |
| 1500M       | 309 (12.17)                    | 410 (16.14) |           | 285.6 (11.24) | 386.6 (15.22) |
| 1700M       | 356 (14.02)                    | 452 (17.80) |           | 329.5 (12.97) | 424 (16.69)   |
| 1900M       | 399 (15.71)                    | 483 (19.02) | 64 (2.52) | 363.5 (14.31) | 449.6 (17.7)  |

### 6176M Standard Industrial Monitors

The 6176M standard monitors are designed for less demanding environments, still providing industrial ratings for temperature, shock, and vibration.



**Table 28 - Technical Specifications, 6176M Standard Industrial Monitors**

| Attribute                        | 1550M, 1750M, 1950M         |
|----------------------------------|-----------------------------|
| Temperature, operating           | 0...45 °C (32...113 °F)     |
| Temperature, nonoperating        | -20...+60 °C (-4...+140 °F) |
| Relative humidity                | 10...90% noncondensing      |
| Vibration, operating             | 1 g at 53...640 Hz          |
| Vibration, nonoperating          | 2 g at 53...640 Hz          |
| Shock, operating                 | 15 g (1/2 sine, 11 ms)      |
| Shock, nonoperating              | 20 g (1/2 sine, 11 ms)      |
| Enclosure ratings <sup>(1)</sup> | NEMA Type 4, 12, IEC IP66   |

(1) Applies only to panel-mounted monitors.



**Table 29 - Certifications, 6176M Standard Industrial Monitors**

For the most current certification information, visit the Rockwell Automation Literature Library website at <https://www.rockwellautomation.com/global/literature-library/overview.page>. Use 6176M-CT as your search criteria.

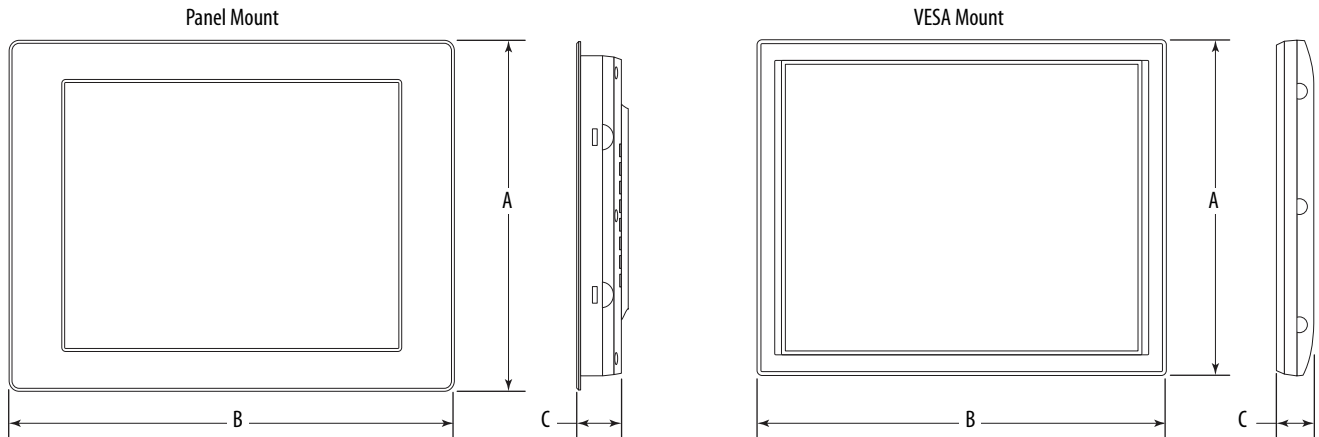
| Certification                     | 1550M, 1750M, 1950M  |                      |   |   |  |  |  |  |                   |                      |                      |   |  |  |               |   |   |   |   |   |   |               |   |   |   |   |   |   |                                |   |   |   |   |   |   |                         |   |   |   |   |   |   |                        |   |   |   |   |   |   |                      |   |   |   |   |   |   |                                   |   |   |   |   |   |   |               |   |   |   |   |   |   |
|-----------------------------------|--|----------------------|---|---|--|--|--|--|-------------------|----------------------|----------------------|---|--|--|---------------|---|---|---|---|---|---|---------------|---|---|---|---|---|---|--------------------------------|---|---|---|---|---|---|-------------------------|---|---|---|---|---|---|------------------------|---|---|---|---|---|---|----------------------|---|---|---|---|---|---|-----------------------------------|---|---|---|---|---|---|---------------|---|---|---|---|---|---|
| UL/c-UL                           | For details, see <a href="#">6176M-CT004</a> .   |                      |   |   |  |  |  |  |                   |                      |                      |   |  |  |               |   |   |   |   |   |   |               |   |   |   |   |   |   |                                |   |   |   |   |   |   |                         |   |   |   |   |   |   |                        |   |   |   |   |   |   |                      |   |   |   |   |   |   |                                   |   |   |   |   |   |   |               |   |   |   |   |   |   |
| CE                                | For details, see <a href="#">6176M-CT003</a> .   |                      |   |   |  |  |  |  |                   |                      |                      |   |  |  |               |   |   |   |   |   |   |               |   |   |   |   |   |   |                                |   |   |   |   |   |   |                         |   |   |   |   |   |   |                        |   |   |   |   |   |   |                      |   |   |   |   |   |   |                                   |   |   |   |   |   |   |               |   |   |   |   |   |   |
| KCC                               | For details, see <a href="#">6176M-CT001</a> .   |                      |   |   |  |  |  |  |                   |                      |                      |   |  |  |               |   |   |   |   |   |   |               |   |   |   |   |   |   |                                |   |   |   |   |   |   |                         |   |   |   |   |   |   |                        |   |   |   |   |   |   |                      |   |   |   |   |   |   |                                   |   |   |   |   |   |   |               |   |   |   |   |   |   |
| RoHS                              | <p>2011/65/EU European RoHS. For more details, see <a href="#">6176M-CT003</a>.<br/>China RoHS:</p> <table border="1"> <thead> <tr> <th rowspan="2">部件名称<br/>Part Name</th> <th colspan="6">有毒有害物质或元素<br/>Toxic or Hazardous Substances and Elements</th> </tr> <tr> <th>铅<br/>Lead<br/>(Pb)</th> <th>汞<br/>Mercury<br/>(Hg)</th> <th>镉<br/>Cadmium<br/>(Cd)</th> <th>六价铬<br/>Hexavalent<br/>Chromium<br/>(Cr(VI))</th> <th>多溴联苯<br/>Polybrominated<br/>Biphenyls<br/>(PBB)</th> <th>多溴二苯醚<br/>Polybrominated<br/>Diphenyl Ethers<br/>(PBDE)</th> </tr> </thead> <tbody> <tr> <td>壳体<br/>Housing</td> <td>X</td> <td>0</td> <td>0</td> <td>0</td> <td>0</td> <td>0</td> </tr> <tr> <td>显示<br/>Display</td> <td>X</td> <td>0</td> <td>0</td> <td>0</td> <td>0</td> <td>0</td> </tr> <tr> <td>印刷电路板<br/>Printed Circuit Board</td> <td>X</td> <td>0</td> <td>0</td> <td>0</td> <td>0</td> <td>0</td> </tr> <tr> <td>金属螺帽<br/>Metal Fasteners</td> <td>X</td> <td>0</td> <td>0</td> <td>0</td> <td>0</td> <td>0</td> </tr> <tr> <td>电缆组装<br/>Cable Assembly</td> <td>X</td> <td>0</td> <td>0</td> <td>0</td> <td>0</td> <td>0</td> </tr> <tr> <td>风扇组装<br/>Fan Assembly</td> <td>X</td> <td>0</td> <td>0</td> <td>0</td> <td>0</td> <td>0</td> </tr> <tr> <td>电力供应组装<br/>Power Supply Assemblies</td> <td>X</td> <td>0</td> <td>0</td> <td>0</td> <td>0</td> <td>0</td> </tr> <tr> <td>电池<br/>Battery</td> <td>0</td> <td>0</td> <td>0</td> <td>0</td> <td>0</td> <td>0</td> </tr> </tbody> </table> <p>本表格依据SJ/T11364 的规定编制。<br/>This table is made per guidance of SJ/T 11364.</p> <p>0: 表示该有害物质在该部件所有均质材料中的含量均在GB/T26572 规定的限量要求以下。<br/>0: Indicates that this toxic or hazardous substance contained in all of the homogeneous materials for the part is below the limit requirement in GB/T 26572.</p> <p>X: 表示该有害物质至少在该部件的某一均质材料中的含量超出GB/T26572 规定的限量要求。<br/>求。(企业可在此处, 根据实际情况对上表中打“X”的技术原因进行进一步说明。)<br/>X: Indicates that this toxic or hazardous substance contained in at least one of the homogeneous materials for the part is below the limit requirement in GB/T 26572.</p> <p>Turkey RoHS (EEE Yönetmeliğine Uygundur. In Conformity with the EEE Regulation)</p> | 部件名称<br>Part Name    | 有毒有害物质或元素<br>Toxic or Hazardous Substances and Elements |   |  |  |  |  | 铅<br>Lead<br>(Pb) | 汞<br>Mercury<br>(Hg) | 镉<br>Cadmium<br>(Cd) | 六价铬<br>Hexavalent<br>Chromium<br>(Cr(VI)) | 多溴联苯<br>Polybrominated<br>Biphenyls<br>(PBB) | 多溴二苯醚<br>Polybrominated<br>Diphenyl Ethers<br>(PBDE) | 壳体<br>Housing | X | 0 | 0 | 0 | 0 | 0 | 显示<br>Display | X | 0 | 0 | 0 | 0 | 0 | 印刷电路板<br>Printed Circuit Board | X | 0 | 0 | 0 | 0 | 0 | 金属螺帽<br>Metal Fasteners | X | 0 | 0 | 0 | 0 | 0 | 电缆组装<br>Cable Assembly | X | 0 | 0 | 0 | 0 | 0 | 风扇组装<br>Fan Assembly | X | 0 | 0 | 0 | 0 | 0 | 电力供应组装<br>Power Supply Assemblies | X | 0 | 0 | 0 | 0 | 0 | 电池<br>Battery | 0 | 0 | 0 | 0 | 0 | 0 |
| 部件名称<br>Part Name                 | 有毒有害物质或元素<br>Toxic or Hazardous Substances and Elements  |                      |   |   |  |  |  |  |                   |                      |                      |   |  |  |               |   |   |   |   |   |   |               |   |   |   |   |   |   |                                |   |   |   |   |   |   |                         |   |   |   |   |   |   |                        |   |   |   |   |   |   |                      |   |   |   |   |   |   |                                   |   |   |   |   |   |   |               |   |   |   |   |   |   |
|                                   | 铅<br>Lead<br>(Pb)  | 汞<br>Mercury<br>(Hg) | 镉<br>Cadmium<br>(Cd)                                    | 六价铬<br>Hexavalent<br>Chromium<br>(Cr(VI)) | 多溴联苯<br>Polybrominated<br>Biphenyls<br>(PBB) | 多溴二苯醚<br>Polybrominated<br>Diphenyl Ethers<br>(PBDE) |  |  |                   |                      |                      |   |  |  |               |   |   |   |   |   |   |               |   |   |   |   |   |   |                                |   |   |   |   |   |   |                         |   |   |   |   |   |   |                        |   |   |   |   |   |   |                      |   |   |   |   |   |   |                                   |   |   |   |   |   |   |               |   |   |   |   |   |   |
| 壳体<br>Housing                     | X  | 0                    | 0   | 0   | 0  | 0  |  |  |                   |                      |                      |   |  |  |               |   |   |   |   |   |   |               |   |   |   |   |   |   |                                |   |   |   |   |   |   |                         |   |   |   |   |   |   |                        |   |   |   |   |   |   |                      |   |   |   |   |   |   |                                   |   |   |   |   |   |   |               |   |   |   |   |   |   |
| 显示<br>Display                     | X  | 0                    | 0   | 0   | 0  | 0  |  |  |                   |                      |                      |   |  |  |               |   |   |   |   |   |   |               |   |   |   |   |   |   |                                |   |   |   |   |   |   |                         |   |   |   |   |   |   |                        |   |   |   |   |   |   |                      |   |   |   |   |   |   |                                   |   |   |   |   |   |   |               |   |   |   |   |   |   |
| 印刷电路板<br>Printed Circuit Board    | X  | 0                    | 0   | 0   | 0  | 0  |  |  |                   |                      |                      |   |  |  |               |   |   |   |   |   |   |               |   |   |   |   |   |   |                                |   |   |   |   |   |   |                         |   |   |   |   |   |   |                        |   |   |   |   |   |   |                      |   |   |   |   |   |   |                                   |   |   |   |   |   |   |               |   |   |   |   |   |   |
| 金属螺帽<br>Metal Fasteners           | X  | 0                    | 0   | 0   | 0  | 0  |  |  |                   |                      |                      |   |  |  |               |   |   |   |   |   |   |               |   |   |   |   |   |   |                                |   |   |   |   |   |   |                         |   |   |   |   |   |   |                        |   |   |   |   |   |   |                      |   |   |   |   |   |   |                                   |   |   |   |   |   |   |               |   |   |   |   |   |   |
| 电缆组装<br>Cable Assembly            | X  | 0                    | 0   | 0   | 0  | 0  |  |  |                   |                      |                      |   |  |  |               |   |   |   |   |   |   |               |   |   |   |   |   |   |                                |   |   |   |   |   |   |                         |   |   |   |   |   |   |                        |   |   |   |   |   |   |                      |   |   |   |   |   |   |                                   |   |   |   |   |   |   |               |   |   |   |   |   |   |
| 风扇组装<br>Fan Assembly              | X  | 0                    | 0   | 0   | 0  | 0  |  |  |                   |                      |                      |   |  |  |               |   |   |   |   |   |   |               |   |   |   |   |   |   |                                |   |   |   |   |   |   |                         |   |   |   |   |   |   |                        |   |   |   |   |   |   |                      |   |   |   |   |   |   |                                   |   |   |   |   |   |   |               |   |   |   |   |   |   |
| 电力供应组装<br>Power Supply Assemblies | X  | 0                    | 0   | 0   | 0  | 0  |  |  |                   |                      |                      |   |  |  |               |   |   |   |   |   |   |               |   |   |   |   |   |   |                                |   |   |   |   |   |   |                         |   |   |   |   |   |   |                        |   |   |   |   |   |   |                      |   |   |   |   |   |   |                                   |   |   |   |   |   |   |               |   |   |   |   |   |   |
| 电池<br>Battery                     | 0  | 0                    | 0   | 0   | 0  | 0  |  |  |                   |                      |                      |   |  |  |               |   |   |   |   |   |   |               |   |   |   |   |   |   |                                |   |   |   |   |   |   |                         |   |   |   |   |   |   |                        |   |   |   |   |   |   |                      |   |   |   |   |   |   |                                   |   |   |   |   |   |   |               |   |   |   |   |   |   |
| RCM                               | For details, see <a href="#">6176M-CT002</a> .   |                      |   |   |  |  |  |  |                   |                      |                      |   |  |  |               |   |   |   |   |   |   |               |   |   |   |   |   |   |                                |   |   |   |   |   |   |                         |   |   |   |   |   |   |                        |   |   |   |   |   |   |                      |   |   |   |   |   |   |                                   |   |   |   |   |   |   |               |   |   |   |   |   |   |

**Table 30 - Technical Specifications, 6176M Standard Industrial Monitors**

| Attribute                           | 1550M  | 1750M   | 1950M   |  |
|-------------------------------------|--|---|---|--|
| Display type                        | Color active-matrix TFT LCD  |   |   |  |
| Display size, diagonal              | 15 in. (381 mm)  | 17 in. (432 mm)   | 19 in. (483 mm)   |  |
| Display area (WxH)                  | 305 x 229 mm (12.0 x 9.0 in.)  | 338 x 270 mm (13.3 x 10.7 in.)  | 377 x 302 mm (14.8 x 11.9 in.)  |  |
| Resolution                          | 1024 x 768, 16.7M colors   | 1280 x 1024, 16.7M colors   |   |  |
| Luminance                           | 350 cd/m <sup>2</sup> Nits   |   |   |  |
| Contrast ratio, typical             | 400:1  | 800:1   |   |  |
| Response time, max                  | 4 ms (fall)<br>12 ms (rise)  | 3 ms (fall)<br>6 ms (rise)  |   |  |
| Status indicator backlight lifetime | 50,000 hours at 25 °C (77 °F)  |   |   |  |
| Available bezels                    | <ul style="list-style-type: none"> <li>Plastic (reinforced steel)</li> <li>Aluminum alloy</li> </ul>   |   |   |  |
| Touch screen option                 | Resistive antiglare (RS-232 and USB inputs), model dependent   |   |   |  |
| Touch screen controller             | Series A and B<br>Series C<br>Panjit<br>eGalax_eMPIA Technology Inc (EETI)   |   |   |  |
| OS drivers, touch screen            | Series A and B<br>Series C<br><ul style="list-style-type: none"> <li>Windows 7 Pro (32 bit)</li> <li>Windows XP Pro</li> <li>Windows Server 2003 (32 bit)</li> <li>Windows 10 IoT Enterprise</li> <li>Windows Embedded 8.1 Industry Pro</li> <li>Windows 7 Pro (32 bit and 64 bit)</li> <li>Windows XP Pro</li> <li>Windows Server 2012 Standard R2</li> <li>Windows Server 2008 (64 bit)</li> <li>Windows Server 2003 (32 bit)</li> </ul> |   |   |  |
| USB hub                             | (2) USB 2.0, 500 mA per port   |   |   |  |
| Video input signal                  | VGA and DVI (system auto-select)   |   |   |  |
| Video input connectors              | HD-15 VGA for analog video signal<br>DVI for digital video signal  |   |   |  |
| OSD controls                        | Rear controls: automatic screen setup (OSD), brightness, contrast, horizontal position, vertical position, image lock, color balance, sync detect  |   |   |  |
| Input voltage, AC                   | 90...264V AC autoranging, 47...63  |   |   |  |
| Power consumption                   | 2.0 A at 24 W  | 3 A at 36 W   | 3.5 A at 42 W   |  |
| Input voltage, DC                   | 12V DC, power adapter required   |   |   |  |
| Weight, approx                      | VESA mount<br>Panel mount  | 3.1 kg (6.82 lb)<br>4.1 kg (9.02 lb)  | 4.6 kg (10.12 lb)<br>5.7 kg (12.54 lb)  | 6.0 kg (13.20 lb)<br>7.5 kg (16.50 lb) |
| Dimensions, approx                  | See <a href="#">Figure 8 on page 35</a>  |   |   |  |
| Cutout dimensions                   |  |   |   |  |
| Mount options                       | <ul style="list-style-type: none"> <li>VESA</li> <li>Panel</li> <li>Bench/tabletop</li> </ul>  | <ul style="list-style-type: none"> <li>VESA</li> <li>Panel</li> <li>Bench/tabletop</li> </ul> | <ul style="list-style-type: none"> <li>VESA</li> <li>Panel</li> <li>Rack<sup>(1)</sup></li> <li>Bench/tabletop</li> </ul> |  |

(1) Installs in a standard 19-in. rack.

**Figure 8 - 6176M Standard Industrial Monitor Dimensions**



| 6176M Model  | All dimensions are in mm (in.) |            |          |               |               |
|--------------|--------------------------------|------------|----------|---------------|---------------|
|              | Height A                       | Width B    | Depth C  | Cutout Height | Cutout Width  |
| <b>1550M</b> |                                |            |          |               |               |
| Panel mount  | 309 (12.3)                     | 410 (16.1) | 50 (2)   | 285.6 (11.24) | 386.6 (15.22) |
| VESA mount   | 282.6 (11)                     | 383.6 (15) |          | —             | —             |
| <b>1750M</b> |                                |            |          |               |               |
| Panel mount  | 356 (14)                       | 452 (17.8) | 53 (2.1) | 329.5 (12.97) | 424 (16.69)   |
| VESA mount   | 326.5 (12.9)                   | 421 (16.6) |          | —             | —             |
| <b>1950M</b> |                                |            |          |               |               |
| Panel mount  | 399.3 (15.7)                   | 482.6 (19) | 58 (2.3) | 363.5 (14.31) | 449.6 (17.7)  |
| VESA mount   | 357 (14.1)                     | 444 (17.5) |          | —             | —             |

## HMI Software

The Allen-Bradley industrial computers support the full suite of Rockwell Software solutions, including Integrated Architecture and FactoryTalk View software. Combine this hardware and software to help assure comprehensive application support from an industry leader.

FactoryTalk View performance and visibility HMI software are designed with a common look, feel, and navigation to help speed HMI development and training time. The visualization strategy combines Rockwell Automation expertise in industrialized personal computer hardware with Rockwell Software supervisory control software.

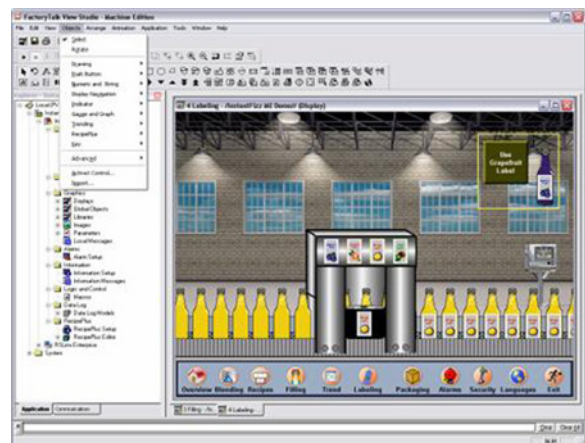
For a complete list of available HMI software, visit <http://www.rockwellautomation.com/rockwellsoftware>.

### FactoryTalk View Machine Edition Software

FactoryTalk View Machine Edition (ME) software supports both open and embedded operator interface solutions for monitoring and controlling individual machines or small processes. This software features a consistent operator interface across multiple platforms, including Microsoft Windows 10, 8.1, 8, 7, Server, and Embedded Compact solutions. FactoryTalk View ME software consists of a design and runtime environment.

#### *FactoryTalk View Studio Software*

FactoryTalk View Studio software is the design environment to create and test HMI applications, including graphic displays, trends, alarms, and real time animation. Runtime files can be generated to run on a PanelView™ Plus terminal or industrial computer.



#### *FactoryTalk View ME Station*

FactoryTalk View ME Station is the runtime environment for HMI applications. FactoryTalk View ME Station is automatically installed and activated on PanelView Plus terminals. FactoryTalk View ME activation is required when running HMI applications on industrial computers.

FactoryTalk View ME offers many advantages:

- Alarms to alert operators to conditions that require immediate action
- Security to restrict operator access to specific displays
- RecipePlus for machine or process recipe management
- Display text supports up to 20 languages per application, so operators can switch language at runtime
- Global and predefined objects are time and memory savers
- Studio 5000® and Logix Designer process faceplates
- Ability to convert runtime application to design application
- Transfer parameters for reuse in displays and design efficiency

## FactoryTalk View Site Edition Software

FactoryTalk View Site Edition (SE) software is used to develop and run supervisory-level monitoring and to control HMI applications. Its architecture is scalable to a wide range of applications, from standalone, one-server/one-client applications to multi-server/multi-client applications. Runtime servers and clients are supported for customers to develop and deploy a multi-server/multi-client application.

FactoryTalk View SE applications are created and tested within the FactoryTalk View Studio design environment:

- Share data and seamless integration with other FactoryTalk enabled products. The FactoryTalk Services Platform provides common services, such as security, alarms, and diagnostics across products.
- Optimize plant communication with FactoryTalk Live Data and premier connectivity to Allen-Bradley controllers.
- Access tag information directly in the controller to eliminate HMI tags.
- Configure an application from anywhere on the network to change a running system with a remote, multi-user configuration capability.
- Define graphic displays once and reference them throughout a distributed system.
- Provide an audit trail of operator and alarm information in a centralized log database.
- Customize the operator experience by using client-side VBA and the exposed graphics object model.



## FactoryTalk View Studio Enterprise Software

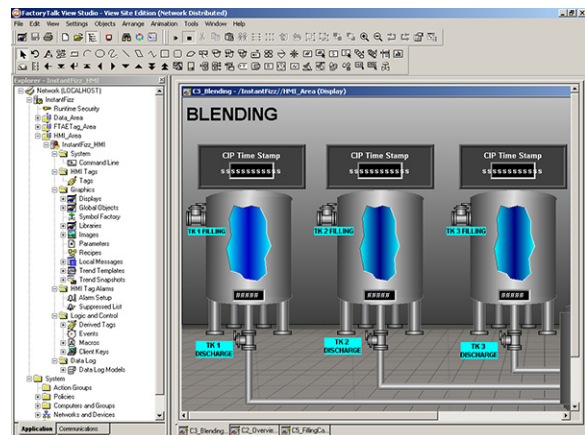
FactoryTalk View Studio Enterprise software is a design environment where you can create applications in both FactoryTalk View ME and FactoryTalk View SE software. The ability to edit and reuse projects in FactoryTalk View Studio improves portability between embedded machine and supervisory HMI systems.

With FactoryTalk View software, all products in the suite are built on the same integrated, scalable architecture. Application developers can import entire machine-level applications into supervisory-level applications or drag individual components and drop them right into supervisory projects, which saves development time and reduces engineering and training costs.

Plus, help protect your current HMI investments by importing PanelBuilder®32 (PanelView™) applications into FactoryTalk View ME software and RSVIEW®32 applications into FactoryTalk View SE software.

With FactoryTalk View Studio software, you can do the following:

- Configure one operator station or an entire distributed application from one location.
- Access tags from OPC servers throughout the system via a tag browser that presents direct controller tags and HMI tags in a logical hierarchy.
- Remotely configure RSLinx® and FactoryTalk View SE servers.
- Create displays by using a full-featured graphics editor.
- Define display text in multiple languages, so operators can switch language at runtime.
- Use pre-engineered faceplates to interface with the process control functions in the Logix controllers.



*FactoryTalk ViewPoint Software*

An add-on to FactoryTalk View SE software and PanelView Plus 6 or 7 terminals, FactoryTalk ViewPoint software provides on-demand access to important information about your plant or process from a web browser. Plant managers, supervisors, OEMs, system integrators, and other key stakeholders can now access, monitor, and interact with plant floor operations from virtually any location. The thin-client configuration means no client software to install and maintain, which lowers total cost of ownership:

- Fully scalable, animated web applications viewable in the office, at home, or on the road.
- Gives managers, OEMs, and system integrators read and write capability to both view and control real time plant floor operations by logging in to an Internet browser.
- Provides read and write capabilities to monitor operations.
- Gain fast access to real time information with a standard web browser.
- Supports multiple browsers and client devices for increased flexibility.
- Lets FactoryTalk View projects be web-enabled without any necessary application changes.
- Monitor and control HMI applications, perform diagnostics, and provide remote support.



**Software Comparison**

**Table 31 - Software Technology**

| Customer Requirements                     | FactoryTalk View Site Edition (SE)  | FactoryTalk View Machine Edition (ME) | RSView32   |
|---|---|---------------------------------------|--|
| Operating systems (32 bit) <sup>(1)</sup> | <ul style="list-style-type: none"> <li>• Windows 10 IoT Enterprise</li> <li>• Windows 10 Professional<sup>(2)</sup></li> <li>• Windows 8.1 Professional</li> <li>• Windows 8.1 Enterprise</li> <li>• Windows 8 Professional</li> <li>• Windows 8 Enterprise</li> <li>• Windows 7 Professional SP1</li> <li>• Windows 7 Enterprise SP1</li> <li>• Windows Server 2008 Standard SP2</li> </ul>  |                                       | <ul style="list-style-type: none"> <li>• Windows 7 Professional</li> <li>• Windows Server 2008 Standard SP2</li> <li>• Windows Server 2000 SP4</li> <li>• Windows 2000 Professional SP4</li> </ul> |
| Operating systems (64 bit) <sup>(1)</sup> | <ul style="list-style-type: none"> <li>• Windows 10 IoT Enterprise</li> <li>• Windows 10 Professional<sup>(2)</sup></li> <li>• Windows 8.1 Professional</li> <li>• Windows 8.1 Enterprise</li> <li>• Windows 8 Professional</li> <li>• Windows 8 Enterprise</li> <li>• Windows 7 Professional SP1</li> <li>• Windows 7 Enterprise SP1</li> <li>• Windows 7 Ultimate SP1</li> <li>• Windows Server 2012 Standard</li> <li>• Windows Server 2012 R2 Standard</li> <li>• Windows Server 2008 R2 Standard SP1</li> <li>• Windows Server 2008 R2 Enterprise SP1</li> <li>• Windows Server 2008 Standard SP2</li> </ul> |                                       |  |
| Embedded platforms                        |   | √                                     |  |
| Windows domain security                   | √   | √                                     | √  |
| OPC/ActiveX                               | √   | √                                     | √  |
| FactoryTalk enabled                       | √   | √                                     |  |
| Server-side VBA                           |   |                                       | √  |
| Client-side VBA                           | √   |                                       |  |

(1) Windows Vista, Windows XP Professional, and Windows Server 2003 are not longer supported with FactoryTalk View versions 8.20 or later.

(2) FactoryTalk View SE and ME versions 9 support Windows 10 Professional versions 1511 and 1607 with Microsoft Hotfix KB3201845, and FactoryTalk View SE and ME versions 10 support Windows 10 Professional versions 1703, 1803, and 1607 with Microsoft Hotfix KB3201845.

**Table 32 - Software Architecture**

| Customer Requirements            | FactoryTalk View SE  |       | FactoryTalk View ME           | RSView32   |
|----------------------------------|--|-------|-------------------------------|--|
| Primary application              | Supervisory level: single station up to multiple server, multiple client |       | Machine level: single station | Supervisory level; single station up to single server, multiple client |
| Tag-based HMI                    | √  |       | √                             | √  |
| Direct reference capability      | √  |       | √                             |  |
|                                  | Network (Distributed)  | Local |                               |  |
| Number of servers/clients, max   | 10/80 <sup>(1)</sup>   |       |                               | 1/20   |
| FactoryTalk ViewPoint            | √  | √     | √ <sup>(2)</sup>              |  |
| RSView32 WebServer               |  |       |                               | √  |
| Thin clients (terminal services) | √  |       |                               | √  |
| Multi-user development           | √  |       |                               |  |
| Remote configuration at runtime  | √  |       |                               |  |
| Redundancy - data server         | √  |       |                               |  |
| Redundancy - HMI server          | √  |       |                               | Active display   |

(1) Applies to FactoryTalk View SE software version 10; version 9 supports up to 50 clients.

(2) Supported only on PanelView Plus 6 and PanelView Plus 7 terminals.

**Table 33 - Software Features**

| Customer Requirements  | FactoryTalk View SE  | FactoryTalk View ME  | RSView32  |
|--|--|--|---|
| Animation - visibility, color, fill, horizontal and vertical position, width, height, rotation, horizontal and vertical slider, and more | And touch  | No touch animation   | And touch   |
| Alarms   | <ul style="list-style-type: none"> <li>FactoryTalk alarms and events</li> <li>HMI alarms</li> <li>Digital and analog</li> <li>Defined alarm severities</li> <li>Alarm log</li> </ul> | <ul style="list-style-type: none"> <li>Tag-based (from controller)</li> <li>Alarm log</li> </ul>   | <ul style="list-style-type: none"> <li>Tag-based</li> <li>Digital and analog</li> <li>Definable alarm severities</li> <li>Alarm log</li> </ul>                          |
| Data logging   | <ul style="list-style-type: none"> <li>20 data log models per project</li> <li>Each with up to 10,000 tags</li> <li>Log to ODBC or proprietary database</li> </ul>                   | <ul style="list-style-type: none"> <li>1 data log model per project</li> <li>With up to 100 tags</li> <li>1,000K records max</li> <li>Export to dbf</li> </ul>           | <ul style="list-style-type: none"> <li>20 plus data log models per project</li> <li>Each with up to 10,000 tags</li> <li>Log to ODBC or proprietary database</li> </ul> |
| RSView32 Recipe version  | Basic recipe functionality with RecipePro+   | Recipe+  | RecipePro extension   |
| RSView32 Trend version   | <ul style="list-style-type: none"> <li>TrendX 4.0</li> <li>TrendPro+ 9.0</li> </ul>  | TrendX 4.0 subset  | TrendX 3.1 and native   |
| Security   | <ul style="list-style-type: none"> <li>Assigned to tags, graphic displays, macros, commands, OLE objects</li> <li>Local or Windows security</li> </ul>                               | <ul style="list-style-type: none"> <li>Display-based</li> <li>Local or Windows security</li> </ul>   | <ul style="list-style-type: none"> <li>Assigned to tags, graphic displays, macros, commands, OLE objects</li> <li>Local or Windows security</li> </ul>                  |
| Other features   | <ul style="list-style-type: none"> <li>Test run macros</li> <li>Derived tags</li> <li>Event detector</li> </ul>  | <ul style="list-style-type: none"> <li>Test run macros</li> <li>Derived tags</li> <li>S/B test run macros-derived tags</li> </ul>  | <ul style="list-style-type: none"> <li>Test run macros</li> <li>Derived tags</li> <li>Event detector</li> </ul>   |
| Price model  | <ul style="list-style-type: none"> <li>Display-based</li> <li>Multiple levels</li> </ul>   | <ul style="list-style-type: none"> <li>Included with PanelView Plus 7<sup>(1)</sup> or display-based</li> <li>Multiple levels for FactoryTalk View ME Station</li> </ul> | <ul style="list-style-type: none"> <li>Tag-based</li> <li>Multiple levels</li> </ul>  |

(1) FactoryTalk View ME version 10 includes an onboard audit trail feature for applications that require regulatory compliance.

**Table 34 - FactoryTalk View Site Edition (SE) Software**

| Installation Type       | Software Installed   | Hardware Requirements (min)   |
|-------------------------|--|---|
| Operator workstation    | FactoryTalk View SE Client or FactoryTalk View SE Station  | <ul style="list-style-type: none"> <li>Intel Core 2 Duo</li> <li>2 GB memory</li> </ul>   |
| Engineering workstation | <ul style="list-style-type: none"> <li>FactoryTalk View Studio Enterprise</li> <li>RSLinux® Classic</li> <li>FactoryTalk Linx</li> <li>Studio 5000</li> </ul>  | <ul style="list-style-type: none"> <li>Intel Core 2 Duo</li> <li>4 GB memory</li> </ul>   |
| Application server      | <ul style="list-style-type: none"> <li>FactoryTalk View SE Server</li> <li>FactoryTalk View Studio Enterprise</li> <li>FactoryTalk View Alarms and Tags based Server</li> <li>FactoryTalk Linx Data Server with FactoryTalk Alarms and Events enabled</li> </ul> | <p>Smaller system:</p> <ul style="list-style-type: none"> <li>Intel Core 2 Duo</li> <li>2 GB memory</li> </ul> <p>Medium to larger systems:</p> <ul style="list-style-type: none"> <li>Quad core Intel Xeon</li> <li>4 GB memory</li> </ul> |

**Table 35 - FactoryTalk View SE Software**

| Media Cat. No.   | Electronic Download Cat. No. | Description <sup>(1)</sup>  |
|--|------------------------------|---|
| To choose your preferred language, replace the xx in the catalog number with EN for English, DE for German, FR for French, JP for Japanese, or ZH for Chinese. |                              |   |
| 9701-VWSTxxM   | 9701-VWSTxxE                 | FactoryTalk View Studio for FactoryTalk View Enterprise - configuration software to develop and test machine level and supervisory level HMI applications |
| 9701-VWSCWAxxM   | 9701-VWSCWAxxE               | FactoryTalk View SE Client - software to view and interact with FactoryTalk View SE Servers <sup>(2)</sup>  |
| 9701-VWSCRAxxM   | 9701-VWSCRAxxE               | FactoryTalk View SE View Client - provides read-only capabilities   |
| 9701-VWSB015AxxM   | 9701-VWSB015AxxE             | FactoryTalk View SE Station 15 display  |
| 9701-VWSB025AxxM   | 9701-VWSB025AxxE             | FactoryTalk View SE Station 25 display  |
| 9701-VWSB100AxxM   | 9701-VWSB100AxxE             | FactoryTalk View SE Station 100 display   |
| 9701-VWSB250AxxM   | 9701-VWSB250AxxE             | FactoryTalk View SE Station 250 display   |
| 9701-VWSB000AxxM   | 9701-VWSB000AxxE             | FactoryTalk View SE Station unlimited display   |
| 9701-VWSS025LxxM   | 9701-VWSS025LxxE             | FactoryTalk View SE Server 25 display with FactoryTalk Linx   |
| 9701-VWSS100LxxM   | 9701-VWSS100LxxE             | FactoryTalk View SE Server 100 display with FactoryTalk Linx  |
| 9701-VWSS250LxxM   | 9701-VWSS250LxxE             | FactoryTalk View SE Server 250 display with FactoryTalk Linx  |
| 9701-VWSS000LxxM   | 9701-VWSS000LxxE             | FactoryTalk View SE Server unlimited display with FactoryTalk Linx  |

(1) FactoryTalk View SE Station and FactoryTalk View SE Server versions 10 include FactoryTalk Linx version 6.0 and RSLinx Classic version 3.70.

(2) FactoryTalk View SE Server stores HMI project components and serves to clients, for example, graphic displays.

**Table 36 - FactoryTalk ViewPoint Software**

| Media Cat. No. <sup>(1)</sup> | Electronic Download Cat. No. | Description <sup>(2)</sup>             |
|-------------------------------|------------------------------|--|
| 9522-VWP01REN                 | 9522-VWP01RENE               | FactoryTalk ViewPoint 1-client system  |
| 9522-VWP03REN                 | 9522-VWP03RENE               | FactoryTalk ViewPoint 3-client system  |
| 9522-VWP05REN                 | 9522-VWP05RENE               | FactoryTalk ViewPoint 5-client system  |
| 9522-VWP10REN                 | 9522-VWP10RENE               | FactoryTalk ViewPoint 10-client system |
| 9522-VWP25REN                 | 9522-VWP25RENE               | FactoryTalk ViewPoint 25-client system |
| 9522-VWP50REN                 | 9522-VWP50RENE               | FactoryTalk ViewPoint 50-client system |

(1) Order any of these catalog numbers to use FactoryTalk ViewPoint software with FactoryTalk View SE network or local applications.

(2) FactoryTalk ViewPoint server and one client access license are included with the purchase of a PanelView Plus 6 or PanelView Plus 7 terminal. No other catalog numbers are required to use FactoryTalk ViewPoint software with PanelView Plus 6 or PanelView Plus 7 terminals.

**Table 37 - FactoryTalk View Machine Edition (ME) Software**

| Media Cat. No.   | Electronic Download Cat. No. | Description  |
|--|------------------------------|--|
| To choose your preferred language, replace the xx in the catalog number with EN for English, DE for German, FR for French, JP for Japanese, or ZH for Chinese. |                              |  |
| 9701-VWSTMxxM  | 9701-VWSTMxxE                | FactoryTalk View Studio for Machine Edition - configuration software to develop and test machine level HMI applications. FactoryTalk View Machine Edition includes FactoryTalk Linx and KEPServer Enterprise software. |

**Table 38 - FactoryTalk View ME Station**

| Media Cat. No.   | Electronic Download Cat. No. | Description <sup>(1) (2)</sup>                   |
|--|------------------------------|--|
| To choose your preferred language, replace the xx in the catalog number with EN for English, DE for German, FR for French, JP for Japanese, or ZH for Chinese. |                              |  |
| 9701-VWMR015AxxM   | 9701-VWMR015AxxE             | FactoryTalk View ME Station Runtime 15 displays  |
| 9701-VWMR030AxxM   | 9701-VWMR030AxxE             | FactoryTalk View ME Station Runtime 30 displays  |
| 9701-VWMR075AxxM   | 9701-VWMR075AxxE             | FactoryTalk View ME Station Runtime 75 displays  |
| 9701-VWMR250AxxM   | 9701-VWMR250AxxE             | FactoryTalk View ME Station Runtime 250 displays |
| 9701-VWMR500AxxM   | 9701-VWMR500AxxE             | FactoryTalk View ME Station Runtime 500 displays |

(1) FactoryTalk View ME Station is the runtime environment where FactoryTalk View ME projects created with FactoryTalk View Studio software are run on any computer with a Windows operating system. See [page 38](#) for the available Windows operating systems.

(2) FactoryTalk View ME Station runtime is included with all PanelView Plus 6 or PanelView Plus 7 terminals.



**Table 39 - RSView32 Software**

| Media Cat. No.  | Electronic Download Cat. No. | Description <sup>(1)</sup>   |
|-----------------|------------------------------|--|
| 9301-2SE3104M   | 9301-2SE3104E                | RSView32 Runtime 150 with RSLinx Classic single node   |
| 9301-2SE3103M   | 9301-2SE3103E                | RSView32 Runtime 150 with RSLinx Classic bundle, which includes 9301-2SE3100 RSView32 Runtime 150 and 9355-WABSNENE RSLinx Classic single node   |
| 9301-2SE3100M   | 9301-2SE3100E                | RSView32 Runtime 150 - 150 tag database and standalone runtime   |
| 9301-2SE2104M   | 9301-2SE2104E                | RSView32 Works 150 with RSLinx Classic single node   |
| 9301-2SE2103M   | 9301-2SE2103E                | RSView32 Works 150 with RSLinx Classic bundle, which includes 9301-2SE2100 RSView32 Works 150 and 9355-WABSNENE RSLinx Classic single node       |
| 9301-2SE2100M   | 9301-2SE2100E                | RSView32 Works 150 - 150 tag database that includes development and one embedded runtime   |
| 9301-2SE3204M   | 9301-2SE3204E                | RSView32 Runtime 300 with RSLinx Classic single node   |
| 9301-2SE3203M   | 9301-2SE3203E                | RSView32 Runtime 300 with RSLinx Classic bundle, which includes 9301-2SE3203 RSView32 runtime 300 and 9355-WABSNENE RSLinx Classic single node   |
| 9301-2SE3200M   | 9301-2SE3200E                | RSView32 Runtime 300 - 300 tag database and standalone runtime   |
| 9301-2SE2204M   | 9301-2SE2204E                | RSView32 Works 300 with RSLinx Classic single node   |
| 9301-2SE2203M   | 9301-2SE2203E                | RSView32 Works 300 with RSLinx Classic bundle, which includes 9301-2SE2200 RSView32 Works 300 and 9355-WABSNENE RSLinx Classic single node       |
| 9301-2SE2200M   | 9301-2SE2200E                | RSView32 Works 300 - 300 tag database that includes development and one embedded runtime   |
| 9301-2SE3304M   | 9301-2SE3304E                | RSView32 Runtime 1500 with RSLinx Classic single node  |
| 9301-2SE3303M   | 9301-2SE3303E                | RSView32 Runtime 1500 with RSLinx Classic bundle, which includes 9301-2SE3300 RSView32 runtime 1500 and 9355-WABSNENE RSLinx Classic single node |
| 9301-2SE3300M   | 9301-2SE3300E                | RSView32 Runtime 1500 - 1500 tag database and standalone runtime   |
| 9301-2SE2304M   | 9301-2SE2304E                | RSView32 Works 1500 with RSLinx Classic single node  |
| 9301-2SE2303M   | 9301-2SE2303E                | RSView32 Works 1500 with RSLinx Classic bundle, which includes 9301-2SE2300 RSView32 Works 1500 and 9355-WABSNENE RSLinx Classic single node     |
| 9301-2SE2300M   | 9301-2SE2300E                | RSView32 Works 1500 - 1500 tag database that includes development and one embedded runtime   |
| 9301-2SE3353M   | 9301-2SE3353E                | RSView32 Runtime 5000 with RSLinx Classic bundle, which includes 9301-2SE3500 RSView32 runtime 5000 and 9355-WABSNENE RSLinx Classic single node |
| 9301-2SE3350M   | 9301-2SE3350E                | RSView32 Runtime 5000 - 5000 tag database and standalone runtime   |
| 9301-2SE2353M   | 9301-2SE2353E                | RSView32 Works 5000 with RSLinx Classic bundle, which includes 9301-2SE2350 RSView32 Works 5000 and 9355-WABSNENE RSLinx Classic single node     |
| 9301-2SE2350M   | 9301-2SE2350E                | RSView32 Works 5000 - 5000 tag database that includes development and one embedded runtime   |
| 9301-2SE3403M   | 9301-2SE3403E                | RSView32 Runtime 32K with RSLinx Classic bundle, which includes 9301-2SE3400 RSView32 runtime 2K and 9355-WABSNENE RSLinx Classic single node    |
| 9301-2SE3400M   | 9301-2SE3400E                | RSView32 Runtime 32K - 32,000 tag database and standalone runtime  |
| 9301-2SE2403M   | 9301-2SE2403E                | RSView32 Works 32K with RSLinx Classic bundle, which includes 9301-2SE2400 RSView32 Works 32K and 9355-WABSNENE RSLinx Classic single node       |
| 9301-2SE2400M   | 9301-2SE2400E                | RSView32 Works 32K - 32,000 tag database that includes development and one embedded runtime  |
| 9301-2SE3503M   | 9301-2SE3503E                | RSView32 Runtime 100K with RSLinx Classic bundle, which includes 9301-2SE3500 RSView32 runtime 100K and 9355-WABSNENE RSLinx Classic single node |
| 9301-2SE3500M   | 9301-2SE3500E                | RSView32 Runtime 100K - 100,000 tag database and standalone runtime  |
| 9301-2SE2503M   | 9301-2SE2503E                | RSView32 Works 100K with RSLinx Classic bundle, which includes 9301-2SE2500 RSView32 Works 100K and 9355-WABSNENE RSLinx Classic single node     |
| 9301-2SE2500M   | 9301-2SE2500E                | RSView32 Works 100K - 100,000 tag database that includes development and one embedded runtime  |
| 9301-RSVWSENM   | 9301-RSVWSENE                | RSView32 WebServer   |
| 9301-MSGRPROENM | 9301-MSGRPROENE              | RSView32 Messenger Pro   |

(1) Monitors, controls, and acquires data.

**Table 40 - RSView32 Active Display System**

| Media Cat. No.  | Electronic Download Cat. No. | Description <sup>(1)</sup>  |
|-----------------|------------------------------|---|
| 9305-RSVADSENM  | 9305-RSVADSENE               | RSView32 Active Display Server™ that includes one active display server (no clients)  |
| 9305-ADSGWENM   | 9305-ADSGWENE                | RSView32 Active Display Server with FactoryTalk Gateway, which includes one active display server (no clients) and 9355-WABGWENE RSLinx Classic Gateway |
| 9305-RSVADFCENM | 9305-RSVADFCENE              | RSView32 Active Display Floating Client that includes one client with server-side activation  |
| 9305-RSVADDCENM | 9305-RSVADDCENE              | RSView32 Active Display Dedicated Client that includes one client with client-side activation   |
| 9305-RSVADFCENM | 9305-RSVADFCENE              | RSView32 Active Display Floating View Client that includes one view-only client with server-side activation   |

(1) Client/Server Enhancement to RSView32.

**Table 41 - RSView32 Languages**

| Media Cat. No.  | Electronic Download Cat. No. | Description                                   |
|---|------------------------------|---|
| To choose your preferred language, replace the xx in the catalog number with DE for German, ES for Spanish, FR for French, IT for Italian, JP for Japanese, KO for Korean, PT for Portuguese, and ZH for Chinese. |                              |   |
| 9301-2SE2500xxM   | 9301-2SE2500xxE              | RSView32 Works 100K                           |
| 9301-2SE2503xxM   | 9301-2SE2503xxE              | RSView32 Works 100K with RSLinx Classic OEM   |
| 9301-2SE3500xxM   | 9301-2SE3500xxE              | RSView32 Runtime 100K                         |
| 9301-2SE3503xxM   | 9301-2SE3503xxE              | RSView32 Runtime 100K with RSLinx Classic OEM |

**Table 42 - Third-party Connectivity**

| Media Cat. No. | Electronic Download Cat. No. | Description  |
|----------------|------------------------------|--|
| 9301-OPCSRVENM | 9301-OPCSRVENE               | KEPServer Enterprise for RSView32, FactoryTalk View Site Edition, and FactoryTalk View Machine Edition |

## Additional Resources

These documents contain more information about related products from Rockwell Automation.

| Resource   | Description   |
|--|---|
| Visualization Solutions Selection Guide, <a href="#">VIEW-SG001</a>  | Provides an overview of the visualization products, which includes catalog number selections offered by Rockwell Automation.  |
| VersaView 5000 Thin Clients and Industrial Computers User Manual, <a href="#">6200-UM001</a>                                     | Provides information to install, make connections, operate, and troubleshoot VersaView Thin Clients, and integrated display and non-display industrial computers.   |
| Integrated Display Industrial Computers User Manual, publication <a href="#">6181P-UM003</a>                                     | Provides information to install, make connections, operate, and troubleshoot the 6181P integrated display and non-display computers with hard disk drives.  |
| Integrated Display Industrial Computers User Manual, publication <a href="#">6181P-UM004</a>                                     | Provides information to install, make connections, operate, and troubleshoot the 6181P integrated display and non-display computers with solid-state drives.  |
| Industrial Computers for Hazardous Locations User Manual, publication <a href="#">6181X-UM001</a>                                | Provides information and guidelines to install, make connections, operate, and troubleshoot the 6181X integrated display and non-display computers in hazardous locations and extreme temperature environments. |
| Non-display Industrial Computers User Manual, publication <a href="#">6177R-UM002</a>  | Provides information to install, make connections, operate, and troubleshoot the 750R and 1450R non-display industrial computers.   |
| VersaView 5100 Industrial Monitors User Manual, publication <a href="#">6200M-UM001</a>  | Provides information to install, mount, and troubleshoot VersaView 5100 industrial monitors.  |
| 6186M Performance Monitors User Manual, publication <a href="#">6186M-UM002</a>  | Provides information to install and mount the monitors, configure video setup, and troubleshoot the 6186M monitors.   |
| 6176M Standard Monitors User Manual, publication <a href="#">6176M-UM001</a>   | Provides information to install and mount the monitors, configure video setup, and troubleshoot the 6176M monitors.   |
| ROK Automation YouTube site, <a href="https://www.youtube.com/user/ROKAutomation">https://www.youtube.com/user/ROKAutomation</a> | Provides informative videos on Rockwell Automation industrial computers and monitors, ThinManager software, and Rockwell Automation software.   |

You can view or download publications at <https://www.rockwellautomation.com/global/literature-library/overview.page>. To order paper copies of technical documentation, contact your local Allen-Bradley distributor or Rockwell Automation sales representative.

## Rockwell Automation Support

Use the following resources to access support information.

|   |   |   |
|---|---|---|
| <b>Technical Support Center</b>                         | Knowledgebase Articles, How-to Videos, FAQs, Chat, User Forums, and Product Notification Updates.                     | <a href="http://www.rockwellautomation.com/knowledgebase">www.rockwellautomation.com/knowledgebase</a>  |
| <b>Local Technical Support Phone Numbers</b>            | Locate the phone number for your country.   | <a href="http://www.rockwellautomation.com/global/support/get-support-now.page">www.rockwellautomation.com/global/support/get-support-now.page</a>                  |
| <b>Direct Dial Codes</b>                                | Find the Direct Dial Code for your product. Use the code to route your call directly to a technical support engineer. | <a href="http://www.rockwellautomation.com/global/support/direct-dial.page">www.rockwellautomation.com/global/support/direct-dial.page</a>                          |
| <b>Literature Library</b>                               | Installation Instructions, Manuals, Brochures, and Technical Data.  | <a href="https://www.rockwellautomation.com/global/literature-library/overview.page">https://www.rockwellautomation.com/global/literature-library/overview.page</a> |
| <b>Product Compatibility and Download Center (PCDC)</b> | Get help determining how products interact, check features and capabilities, and find associated firmware.            | <a href="http://www.rockwellautomation.com/global/support/pcdc.page">www.rockwellautomation.com/global/support/pcdc.page</a>  |

## Documentation Feedback

Your comments will help us serve your documentation needs better. If you have any suggestions on how to improve this document, complete the How Are We Doing? form at [http://literature.rockwellautomation.com/idc/groups/literature/documents/du/ra-du002\\_-en-e.pdf](http://literature.rockwellautomation.com/idc/groups/literature/documents/du/ra-du002_-en-e.pdf).

Rockwell Automation maintains current product environmental information on its website at <http://www.rockwellautomation.com/rockwellautomation/about-us/sustainability-ethics/product-environmental-compliance.page>.

Allen-Bradley, FactoryTalk, Integrated Architecture, LISTEN. THINK. SOLVE., PanelBuilder, PanelView, Rockwell Automation, Rockwell Software, RSLinx, RSView32, Studio 5000, ThinManager, and VersaView are trademarks of Rockwell Automation, Inc.

Trademarks not belonging to Rockwell Automation are property of their respective companies.

Rockwell Otomasyon Ticaret A.Ş., Kar Plaza İş Merkezi E Blok Kat:6 34752 İçerenköy, İstanbul, Tel: +90 (216) 5698400

**[www.rockwellautomation.com](http://www.rockwellautomation.com)**

### Power, Control and Information Solutions Headquarters

Americas: Rockwell Automation, 1201 South Second Street, Milwaukee, WI 53204-2496 USA, Tel: (1) 414.382.2000, Fax: (1) 414.382.4444

Europe/Middle East/Africa: Rockwell Automation NV, Pegasus Park, De Kleetlaan 12a, 1831 Diegem, Belgium, Tel: (32) 2 663 0600, Fax: (32) 2 663 0640

Asia Pacific: Rockwell Automation, Level 14, Core F, Cyberport 3, 100 Cyberport Road, Hong Kong, Tel: (852) 2887 4788, Fax: (852) 2508 1846

Publication IC-TD001J-EN-P - August 2018

Supersedes Publication IC-TD001I-EN-P - December 2017

Copyright © 2018 Rockwell Automation, Inc. All rights reserved. Printed in the U.S.A.