

UL/CSA Fused Disconnect Switches



Cat. No. 194R-J30-1753



Cat. No. 194R-J100-1753



Note: Your order must include 1) Cat. No. of disconnect switch, 2) shaft, 3) handle, and 4) any accessories.

Rated Current [A]	Maximum Hp Ratings ^{(1)*}							Fuse	Dim. Ref.	Cat. No.
	1-Phase (60 Hz)		3-Phase (60 Hz)			DC				
	120V	240V	240V	480V	600V	125V	250V			
UL Class CC and CSA HRCI-MISC Fuses										
30	2	3	7.5	15	20	3	5	30 A CC, HRCI-Misc	A1	194R-C30-1753
UL Class J and CSA HRCI-J Fuses										
30	2	3	7.5	15	20	3	5	30 A Class J, HRCI-J	A1	194R-J30-1753
60	3	10	15	30	50	5	10	60 A Class J, HRCI-J	B1	194R-J60-1753
CSA HRCII-C Fuses										
30	2	3	7.5	15	20	3	5	30A HRCII-C	B1	194R-H30-1753
60	3	10	15	30	50	5	10	60A HRCII-C	B1	194R-H60-1753
UL Class J and CSA HRCI-J Fuses										
30	2	3	7.5	15	20	3	5	30 A Class J, HRCI-J	A1	194R-J30-1753
60	3	10	15	30	50	5	10	60 A Class J, HRCI-J	B1	194R-J60-1753
100	7-1/2	15	30	60	75	7.5	20	100 A Class J, HRCI-J	F5	194R-J100-1753 ⁽²⁾
200	—	25	60	125	150	15	40	200 A Class J, HRCI-J	F6	194R-J200-1753
400	—	50	125	520	350	20	50	400 A Class J, HRCI-J	F7	194R-J400-1753
600	—	—	200	500	500	—	—	600 A Class J, HRCI-J	F8	194R-J600-1753
UL Class L and CSA HRCI-L Fuses										
800	—	—	200	500	500	—	—	800 A Class L, HRCI-L	F9	194R-L800-1753

(1) Time delay fuses may be required to utilize the disconnect switch at its maximum horsepower rating.

(2) Integral terminal lug #12...#10 Solid Cu or #12 - #1 Stranded Cu.

Bulletin 194R Overview

	 <p>Bulletin 194R-C, J, H, B, D, F, L, N, NU</p>	 <p>Bulletin 194R-NE</p>
Product Type	Fused and non-fused rotary disconnect switches	Non-fused IEC rotary disconnect switches
Current Range	20...1200 A	100...1250 A
Main Applications	<ul style="list-style-type: none"> UL 98 ratings "suitable as service entrance disconnecting means" UL 508, CSA ratings "suitable as at-motor disconnect" UL and IEC applications 	<ul style="list-style-type: none"> Disconnecting means IEC applications
Functionality	<ul style="list-style-type: none"> 3- or 4-pole fusible or non-fusible disconnect for standard OFF-ON or emergency stop in a main panel disconnect application 4th pole available as modular accessory Test mode switch position 	<ul style="list-style-type: none"> 3- or 4-pole non-fusible disconnect for standard OFF-ON or emergency stop in a main panel disconnect application 4th pole available as modular accessory Test mode switch position
Mounting Styles	20...63 A: DIN Rail/Panel mounting; 100...1250 A: Panel mounting	Panel mounting
Handles	<ul style="list-style-type: none"> Available in rotary styles, UL Type 1/3R/4/4X/12, IP66, standard, or test mode versions Handle colors in black and red/yellow and padlockable versions 30 A/60 A legend markers (optional) — uses Cat. No. 1492-MS6X12 markers 	<ul style="list-style-type: none"> Available in rotary styles, UL Type 1/3R/4/4X/12, IP66, or standard versions Handle colors in black and red/yellow and padlockable versions
Open Switch or Enclosed	<ul style="list-style-type: none"> Open switch Enclosed: UL/CSA rated enclosure for 20...63 A devices 	<ul style="list-style-type: none"> Open switch
UL/CSA Electrical Ratings:		
Rated Voltage U_e	690V AC	690V AC
Rated Current I_e	20...1200 A	100...1250 A
Rated Power P_e [FLA]	Varies w/ 1- or 3-phase switch, voltage	Varies w/ 1- or 3-phase switch, voltage
Short-Circuit Ratings	200 kA	200 kA
Mechanical Life [ops]	10 000	10 000
IEC Rated Current I_e		
AC-1	20...1200 A @ 690V	100...1250 A @ 690V
AC-21A	Varies w/ 1- or 3-phase switch, voltage	Varies w/ 1- or 3-phase switch, voltage
AC-22A	Varies w/ 1- or 3-phase switch, voltage	Varies w/ 1- or 3-phase switch, voltage
Ambient Operational Temp.	-20...+60 °C (-4...+140 °F)	-20...+60 °C (-4...+140 °F)
Ambient Enclosed Temp.	-20...+60 °C (-4...+140 °F)	-20...+60 °C (-4...+140 °F)
Ambient Storage Temp.	-40...+65 °C (-40...+149 °F)	-40...+65 °C (-40...+149 °F)
Protection class per IEC 529	<ul style="list-style-type: none"> Switch bodies: IP2 Fuse carriers: IP30 	<ul style="list-style-type: none"> Switch bodies: IP2
Optional Accessories	<ul style="list-style-type: none"> Operator handles Multi-length shafts Auxiliary contacts Terminal covers NFPA 79 internal handle with shaft 	<ul style="list-style-type: none"> IP66 handles Multi-length shafts Auxiliary contacts Terminal covers NFPA 79 internal handle

Standards Compliance and Certifications—Bulletin 194R-C, J, H, B, D, F, L, N, NU

Standards Compliance	Certifications
UL 98	CE Marked
UL 508	CSA Certified (File No. LR1234)
CSA C22.2, No. 14	UL Listed (File No. E 14841, Guide NLRV; File No. E 47426, Guide WHTY)
IEC/EN 60947-3 Low Voltage Switchgear and Controlgear part 3	
BS EN60947-3	
VDE 0660	
NEMA KS-1	

Standards Compliance and Certifications—Bulletin 194R-NE

Standards Compliance	Certifications
IEC/EN 60947-3 Low Voltage Switchgear and Controlgear part 3	CE Marked

Product Overview

The Bulletin 194R line of fused and non-fused rotary disconnect switches provides the flexibility to meet worldwide applications. The disconnect switches are UL Listed and CSA Certified and are designed to meet IEC 60947-3, VDE, DIN, BS and applicable NEMA requirements.

Features

- 20 A...1250 A Sizes
- Fused switch versions:
 - BS88 -DIN
 - CSA HRCII-C - CSA HRCI-MISC - HRC-L
 - UL Class J- UL Class CC - UL Class L
 - NFC
- Operating handle ingress ratings:
 - IP42 (Type 1)
 - IP66 (Type 3R, 3, 12, 4, 4X)
- Handle with or without test mode
- Padlockable handle for up to three padlocks
- 6 auxiliary contacts can be added
- Suitable as service entrance disconnecting means (UL 98)
- Suitable as at-motor disconnecting means (UL 508)

Fused Disconnect Switches for UL Class Fuses and CSA HRCI-J

Electrical Ratings							
Cat. No.		194R-C30-1753		194R-J30-1753		194R-J60-1753	
CSA Fuse Type/UL Fuse Type		Class CC/HRCI-MISC ⁽¹⁾		Class J/HRCI-J		Class J/HRCI-J	
Maximum Fuse Cartridge Size	[A]	30		30		60	
Maximum Voltage, AC	[V]	600		600		600	
Maximum Voltage, DC	[V]	250		250		250	
Ampere Rating	[A]	30		30		60	
Maximum Short Circuit Prospective Fault Current	[kA]	200		200		200	
Fuse Operating Characteristics		Time Delay	Non-Time Delay	Time Delay	Non-Time Delay	Time Delay	Non-Time Delay
Maximum Hp, 3-Phase AC							
200V, 60 Hz	[Hp]	5	3	7.5	3	15	7.5
240V, 60 Hz	[Hp]	5	3	7.5	3	15	7.5
480V, 60 Hz	[Hp]	10	5	15	5	30	15
600V, 60 Hz	[Hp]	10	7.5	20	7.5	50	15
Maximum Hp, 1-Phase AC							
120V, 60 Hz	[Hp]	0.75	0.5	2	0.5	3	1.5
240V, 60 Hz	[Hp]	2	1.5	3	1.5	10	3
Maximum Hp, DC							
125V DC	[Hp]	2	3	3	2	5	5
250V DC	[Hp]	3	5	5	5	10	10

(1) Based on Rockwell Automation tests in accordance with the requirements as defined in CSA C22.2 No. 4, IEC 60947-3 and UL 98.

Electrical Ratings						
Cat. No.		194R-J100	194R-J200	194R-J400	194R-J600	194R-L800
Rated Current	[A]	100	200	400	600	800
Standards Compliance		UL 98, CSA22.2, No. 4				
Ratings per UL/CSA						
Maximum Voltage, AC	[V]	600				
Maximum Voltage, DC	[V]	250				
Maximum Short Circuit Fault Current	[kA]	200	100	100	100	100
Fuse Type						
UL		J	J	J	J	L
CSA		HRCI-J	HRCI-J	HRCI-J	HRCI-J	HRCI-L
Max. Fuse Rating	[A]	100	200	400	600	800
Max. Hp Rating, 3-phase						
240V	[Hp]	30	60	125	200	200
480V	[Hp]	60	125	250	500	500
600V	[Hp]	75	150	350	500	500
Max. Hp Rating, DC						
125V, 2 poles in series	[Hp]	7.5	15	20	—	—
240V, 3 poles in series	[Hp]	20	40	50	—	—

Specifications

Mechanical Data			
Cat. No.		194R-J30-1753	194R-J60-1753
Degree of Protection (per IEC 60947-3), Switch Only		IP20	IP20
Degree of Protection (per IEC 60947-3), Switch with Terminal Shield & Fuse Carriers		IP20	IP20
Mechanical Endurance ⁽¹⁾	Operations	10 000	10 000
Operating Torque (Maximum)	N•m	3.5	3.5
	lb•in	35	35
Terminal Capacity, Power Terminals	mm ²	2.5...10	2.5...25
	AWG	#14...#8	#14...#4
Terminal Capacity, Auxiliary Contact Terminals	mm ²	2.5...4	2.5...4
	AWG	#14...#12	#14...#12
Maximum Number of Auxiliary Circuits		6	6
Approximate Weight	kg	0.92	1.32
	lbs	2.03	2.9
Minimum Enclosure Size	Height [mm (in.)]	248 (9-3/4)	248 (9-3/4)
	Width [mm (in.)]	171 (6-3/4)	197 (7-3/4)
	Depth [mm (in.)]	148 (5-13/16)	148 (5-13/16)
Switch Dimension Reference (See dimension drawings.)		A1	B1

(1) Based on Rockwell Automation tests in accordance with the requirements as defined in CSA C22.2 No. 4, IEC 60947-3 and UL 98.

Electrical Ratings						
Cat. No.		194R-J100-1753	194R-J200-1753	194R-J400-1753	194R-J600-1753	194R-L800-1753
Degree of Protection (per IEC 60947-3), Switch Only		IP20	IP20	IP20	IP20	IP20
Degree of Protection (per IEC 60947-3), Switch with Terminal Shield & Fuse Carriers		IP20	IP20	IP20	IP20	IP20
Mechanical Endurance ⁽¹⁾	Operations	10 000	8 000	6 000	5 000	5 000
Operating Torque (Maximum)	N•m					
	lb•in					
Terminal Capacity, Power Terminals	mm ²		300 MCM	600 MCM; 2 x 300 MCM	2 x 600 MCM	2 x 600 MCM
	AWG	#12... #10 Solid Cu #12...#1 stranded	#6	#2 or 2 x #6	2 x #2	2 x #2
Terminal Capacity, Auxiliary Contact Terminals	mm ²	2.5...4	2.5...4	2.5...4	2.5...4	2.5...4
	AWG	#14...#12	#14...#12	#14...#12	#14...#12	#14...#12
Maximum Number of Auxiliary Circuits		4	8	8	8	8
Approximate Weight	kg	2.4	3.6	4.85	20	20
	lbs	5.3	7.9	10.7	44	44
Minimum Enclosure Size	Height [mm (in.)]	406 (16)	610 (24)	1000 (39.4)	1219 (48)	1219 (48)
	Width [mm (in.)]	610 (24)	508 (20)	800 (31.5)	914.5 (36)	914.5 (36)
	Depth [mm (in.)]	152 (6)	152 (6)	200 (11.8)	305 (12)	305 (12)
Switch Dimension Reference (See dimension drawings.)		F5	F6	F7	F8	F8

(1) Based on Rockwell Automation tests in accordance with the requirements as defined in CSA C22.2 No. 4, IEC 60947-3 and UL 98.

Figure 8 - Cat. No. 194R-J400, Frame Size F7 UL/CSA Fused Disconnect Switches

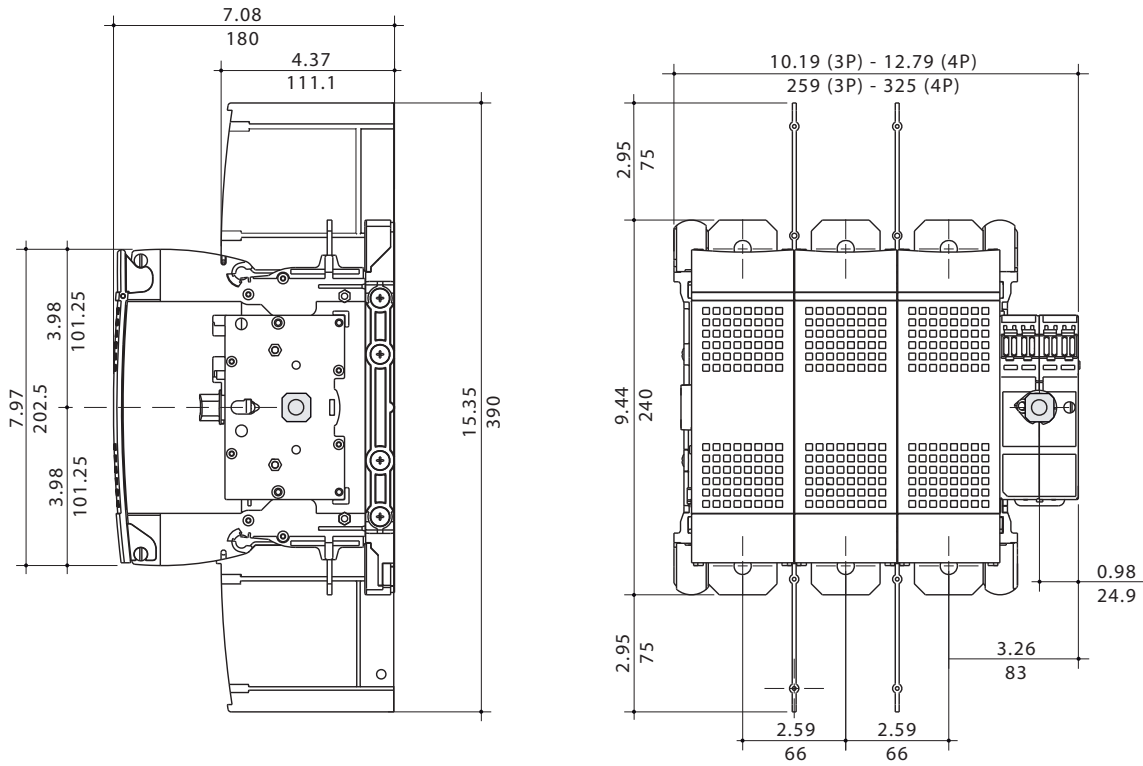


Figure 9 - Cat. No. 194R-J600, -L800, Frame Size F8 UL/CSA Fused Disconnect Switches

