

● Upgrading Multi-channel I/O module

Existing module			Upgraded module		
Model	Description	Q'ty (*1)	Model	Description	Q'ty (*2)
Analog I/O module					
AMC80	Multipoint analog I/O module	2	AAB841-SK□	Analog I/O module (1 to 5 V input, 4 to 20 mA output, 8-channel input/8-channel output, non-isolated) RIO System Upgrade for AMC80 (KS cable connection type)	2
Relay I/O module					
ADM15R	Relay input module	1	ADV159-PY□	Digital input module for compatible ST3 (32-channel, isolated channels) RIO System Upgrade for ADM15R (Relay terminal connection type)	1
ADM55R	Relay output module	1	ADV559-PY□	Digital output module for compatible ST4 (32-channel output, isolated channels) RIO System Upgrade for ADM55R (Relay terminal connection type)	1
Multiplexer module (16 points, Terminal type)					
AMM12T (*3)	Voltage input multiplexer module	2	AAV144-SM□	Analog input module (-10 to +10 V, 16-channel, isolated) RIO System Upgrade for AMM12T (M4 screw terminal connection type)	2
AMM22M (*4)	mV input multiplexer module		AAT145-SM□ (*6)	TC/mV input module (16-channel, isolated channels) RIO System Upgrade for AMM22M/AMM22T/AMM22TJ (M4 screw terminal connection type)	
AMM22T (*5)	Thermocouple input multiplexer module				
AMM22TJ	Thermocouple input multiplexer module (supports IEC584-1995)				
AMM32T (*7)	RTD input multiplexer module	1	AAR145-SM□ (*8)	RTD/POT input module (16-channel, isolated channels) RIO System Upgrade for AMM32T/AMM32TJ (M4 screw terminal connection type) (*9)	1
AMM32TJ	RTD input multiplexer module (supports IEC751-1995)	1			1
AMM42T	2-wire transmitter input multiplexer module	1	AAI143-HM□	Analog input module (4 to 20 mA, 16-channel, isolated) RIO System Upgrade for AMM42T (M4 screw terminal connection type)	1
AMM52T	Output multiplexer module	1	AAI543-HM□	Analog output module (4 to 20 mA, 16-channel, isolated) RIO System Upgrade for AMM52T (M4 screw terminal connection type)	1
Multiplexer module (Connector type)					
AMM12C	Voltage input multiplexer module	4 (*10)	AAV144-SK□	Analog input module (-10 to +10 V, 16-channel, isolated) RIO System Upgrade for AMM12C (KS cable connection type)	4
AMM22C	mV input multiplexer module		AAT145-SK□ (*11)	TC/mV input module (16-channel, isolated channels) RIO System Upgrade for AMM22C/AMM25C (KS cable connection type)	
AMM25C	mV input multiplexer module with thermocouple interface (15 points, RJC input port added)				
AMM32C	RTD input multiplexer module (16 points)				
AMM32CJ	RTD input multiplexer module (16 points, conforms to IEC751-1995)		AAR145-SK□ (*12)	RTD/POT input module (16-channel, isolated channels) RIO System Upgrade for AMM32C/AMM32CJ (KS cable connection type) (*13)	

- *1: Maximum number of units mountable per nest.
- *2: Maximum number of units mountable per I/O unit area.
- *3: Including model AMM11T.
- *4: Including model AMM21M.
- *5: Including model AMM21T.
- *6: The correspondence between the old and new standards when upgrading the RIO system is shown below.

	Existing RIO system		RIO System Upgrade	
	Model name	Compliance standard	Model name	Compliance standard
Thermocouple	AMM22T	Type N (Old JIS)	AAT145-SM□	Type J, K, E, B, R, S, T, N IPTS-68
		Type J, K, E, B, R, S, T (Old JIS)		Type J, K, E, B, R, S, T, N IPTS-90
	AMM22TJ	Type J, K, E, B, R, S, T, N (New JIS)		

- *7: Including model AMM31T.
- *8: The correspondence between the old and new standards when upgrading the RIO system is shown below.

	Existing RIO system		RIO System Upgrade	
	Model name	Compliance standard	Model name	Compliance standard
RTD	AMM32T or AMM32TJ	JPT100 (Old JIS)	AAR145-SM□	JPT100
		AMM32T		PT100 IPTS-68
	AMM32TJ	PR100 (New JIS)		PT100 ITS-90

- *9: For RIO System Upgrade, this module is not applicable for potentiometer (POT) input.
- *10: Q'ty becomes 2 when mounted on AFS□0□ or AFG□0□.
- *11: The correspondence between the old and new standards when upgrading the RIO system is shown below.

	Existing RIO system		RIO System Upgrade	
	Model name	Compliance standard	Model name	Compliance standard
Thermocouple	AMM25C	Type J, K, E, B, R, S, T, N	AAT145-SK□	Type J, K, E, B, R, S, T, N ITS-90

- *12: The correspondence between the old and new standards when upgrading the RIO system is shown below.

	Existing RIO system		RIO System Upgrade	
	Model name	Compliance standard	Model name	Compliance standard
RTD	AMM32C or AMM32CJ	JPT100 (Old JIS)	AAR145-SK□	JPT100
		AMM32C		PT100 IPTS-68
	AMM32CJ	PR100 (New JIS)		PT100 ITS-90

- *13: For RIO System Upgrade, this module is not applicable for potentiometer (POT) input.

Existing module			Upgraded module		
Model	Description	Q'ty (*1)	Model	Description	Q'ty (*2)
Digital I/O module					
ADM11T	Contact input module (16 points, terminal type)	2	ADV159 -PM□	Digital input module for compatible ST3 (32-channel, isolated channels) RIO System Upgrade for ADM11T (M4 screw terminal connection type) (*14)	2
ADM12T	Contact input module (32 points, terminal type)		ADV169 -PM□	Digital input module for compatible ST6 (64-channel, isolated, common minus side every 16-channel) RIO System Upgrade for ADM12T (M4 screw terminal connection type) (*15)	
ADM51T	Contact output module (16 points, terminal type)		ADV559 -PM□	Digital output module for compatible ST4 (32-channel output, isolated channels) RIO System Upgrade for ADM51T (M4 screw terminal connection type) (*14)	
ADM52T	Contact output module (32 points, terminal type)		ADV569 -PM□	Digital output module for compatible ST7 (64-channel output, isolated, common minus side every 16-channel) RIO System Upgrade for ADM52T (M4 screw terminal connection type) (*15)	
ADM11C	Contact input module (16 points, connector type)	4	ADV159 -PK□	Digital input module for compatible ST3 (32-channel, isolated channels) RIO System Upgrade for ADM11C (KS cable connection type) (*14)	4
ADM12C	Contact input module (32 points, connector type)		ADV169 -PK□	Digital input module for compatible ST6 (64-channel, isolated, common minus side every 16-channel) RIO System Upgrade for ADM12C (KS cable connection type) (*15)	
ADM51C	Contact output module (16 points, connector type)		ADV559 -PK□	Digital output module for compatible ST4 (32-channel output, isolated channels) RIO System Upgrade for ADM51C (KS cable connection type) (*14)	
ADM52C	Contact output module (32 points, connector type)		ADV569 -PK□	Digital output module for compatible ST7 (64-channel output, isolated, common minus side every 16-channel) RIO System Upgrade for ADM52C (KS cable connection type) (*15)	

*1: Maximum number of units mountable per nest.

*2: Maximum number of units mountable per I/O unit area.

*14: Up to 16 I/O points.

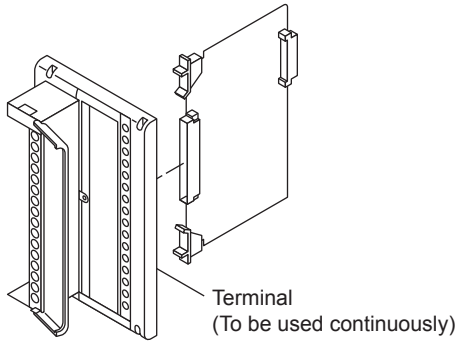
*15: Up to 32 I/O points.

Upgrade items for multi-channel I/O module (Terminal connection type)

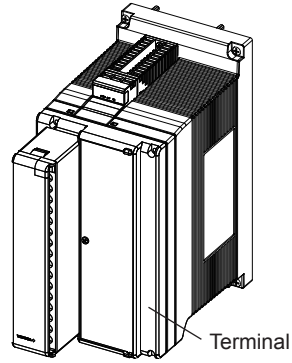
- The figures on the next page show images how the existing terminal connection type multi-channel I/O modules are upgraded. After upgrading, the multi-channel I/O module is directly mounted to the backboard of the node interface unit.
- Terminals of the existing RIO system can be continuously used without disconnecting the existing field wiring.
- The mounting position (XYZ coordinates in the cabinet) of the terminal after upgrading is the same as before.

SEE ALSO

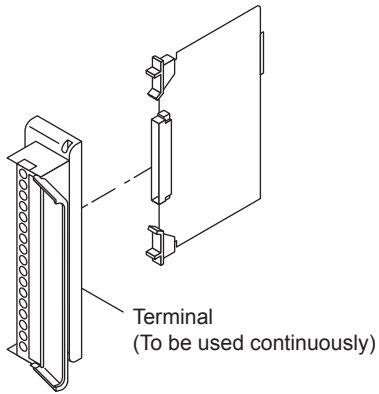
For the details of the terminal connection type multi-channel I/O modules after upgrading, refer to the GS of "N-IO node (for RIO System Upgrade)" (GS 33J64F10-01EN).



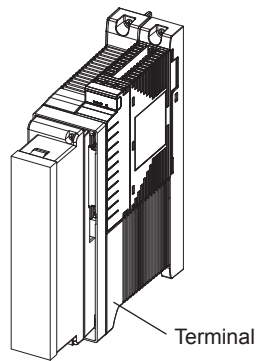
ADM15R and ADM55R



ADV159-PY and ADV559-PY



AMM12, AMM11T, AMM22M, AMM21M, AMM22T, AMM21T, AMM22TJ, AMM42T, AMM52T, ADM11T, ADM12T, ADM51T, and ADM52T



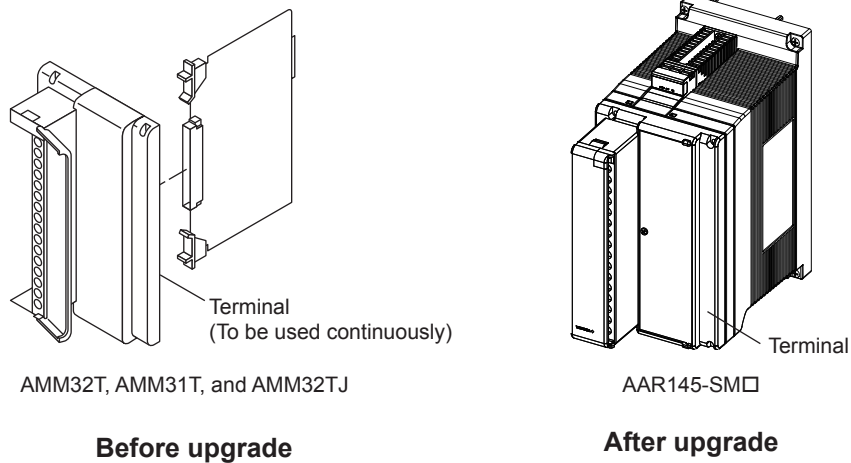
AAV144-SM, AAT145-SM, AAI143-HM, AAI543-HM, ADV159-PM, ADV169-PM, ADV559-PM, and ADV569-PM

Before upgrade

After upgrade

Figure Upgrading multi-channel I/O module 1 (terminal connection type)

F040209.ai



F040210.ai

Figure Upgrading multi-channel I/O module 2 (terminal connection type)

Upgrade items for multi-channel I/O module (KS cable connection type)

- The figures below show images how the existing KS cable connection type multi-channel I/O modules are upgraded. After upgrading, the multi-channel I/O module is directly mounted to the backboard of the node interface unit.
- KS cables of the existing RIO system can be continuously used by connecting to the multi-channel I/O modules.
- The mounting position (XYZ coordinates in the cabinet) of the KS cable connector shifts by 5 cm to the upper side after upgrading.
- AMM□1□ multiplexer module is replaced with model AMM□2□.

SEE ALSO

For the details of the KS cable connection type multi-channel I/O modules after upgrading, refer to the GS of “N-IO node (for RIO System Upgrade)” (GS 33J64F10-01EN).

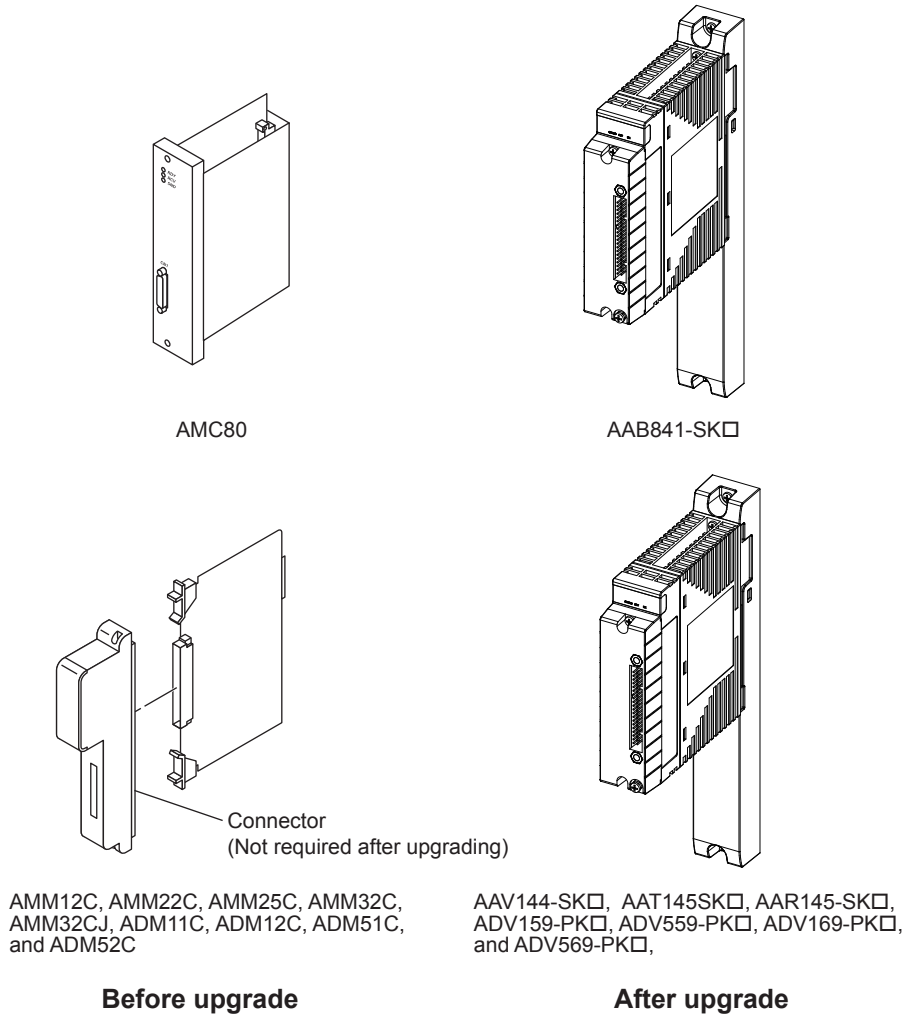


Figure Upgrading multi-channel I/O module (KS cable connection type)

F040211.ai

● Upgrading communication module

Existing module		Upgraded module	
Model	Description	Model	Description
ACM11	RS-232C communication module	ALR111	Serial communication module (RS-232C, 2-port, for N-IO/FIO)
ACM21	RS-232C general-purpose communication card		
ACM12	RS-422/RS-485 communication module	ALR121	Serial communication module (RS-422/RS-485, 2-port, for N-IO/FIO)
ACM22	RS-422/RS-485 general-purpose communication card		
ACM71	Ethernet communication module (for PFCS/PFCD)	ALE111	Ethernet communication module (for N-IO/FIO)
ACF11	Fieldbus communication module	ALF111	Foundation fieldbus communication module (for N-IO/FIO)
ACP71	PROFIBUS communication module	ALP121	PROFIBUS-DP communication module (for N-IO/FIO)

Upgrade items

- The figures below and on the next page show images how the existing communication modules are upgraded into communication modules for FIO system.
- A communication module for upgrade is mounted on an empty slot of an I/O module slot of A2FV70□ field control unit, ANB10D node unit for dual-redundant ESB bus, or ANB11D node unit for dual-redundant ESB bus with an optical repeater. The communication module cannot be mounted to the A2NN10D/A2NN20D node interface unit for upgrading.
- The mounting position of the communication module is moved after the upgrading, which may require extending the cable length.
- The specifications of the connecting cable may differ by the module, which may require replacing the communication cable. (*1)
- The ALF111 Foundation fieldbus communication module requires a fieldbus power supply separately.

*1: The connector of ACM11's communication cable has D-sub 25 pins while that of ALR111 has D-sub 9 pins. When replacing ACM11 with ALR111, adopt a conversion cable with appropriate pin layout or replace the communication cable.

SEE ALSO

For the details of the communication modules after upgrading, refer to the following GS.

- “Serial Communication Module (for N-IO/FIO)” (GS 33J60G10-01EN)
- “Ethernet Communication Module (for N-IO/FIO)” (GS 33J60G11-01EN)
- “FOUNDATION Fieldbus Communication Module (for N-IO/FIO)” (GS 33J60G20-01EN)
- “PROFIBUS Communication Module (for N-IO/FIO)” (GS 33J60G85-01EN)

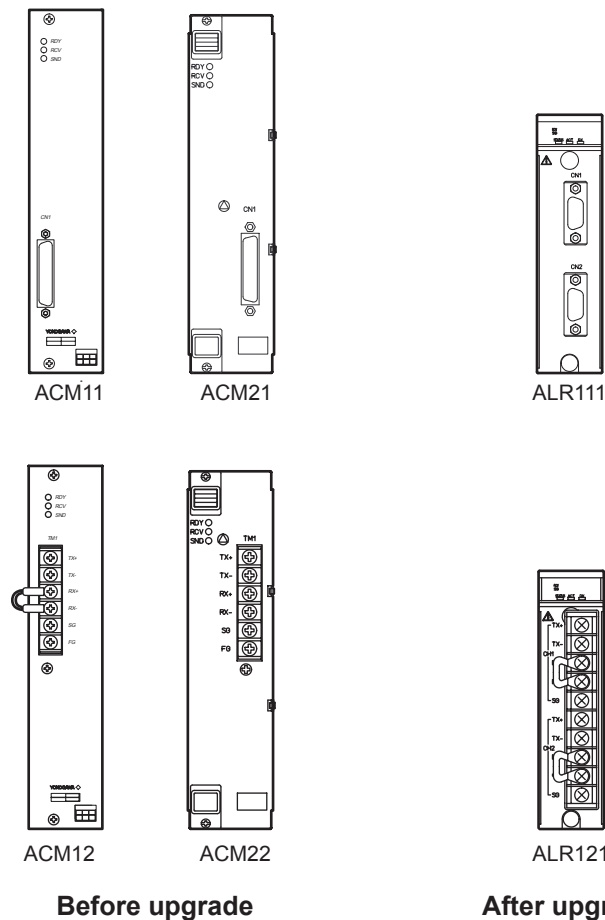


Figure Upgrading communication module 1

F040212.ai

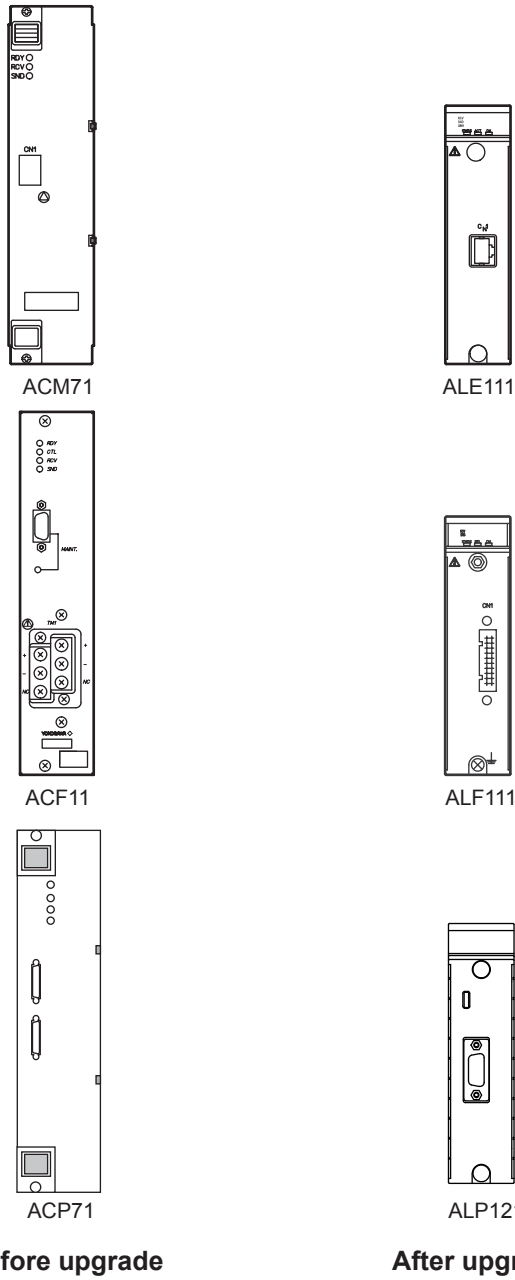


Figure Upgrading communication module 2

F040213.ai

4.2.5.2 I.S. barrier solution components

I. S. barrier solution hardware mainly consists of a dedicated node interface unit (for N-IO) and base plates for barriers. I.S. barriers can be mounted on the base plate for barriers by the channel. I/O modules can also be mounted on the base plate for barriers. Communications with a field control unit is done by connecting an N-ESB bus or a duplexed optical ESB bus via a dedicated node interface unit (for N-IO). Up to six (6) base plates for barriers can be connected to a node interface unit (for N-IO) using dedicated cables. When installing the I.S. barrier solutions in a cabinet ensure that any of the following field control unit is not resided, which are A2FV70□, A2NN10D, and A2NN20D.

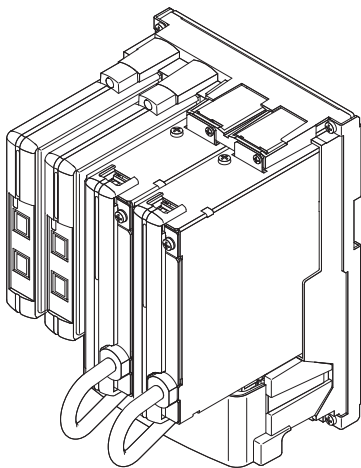
● Node interface unit (for N-IO)

Model	Name
A2NN30D	Node interface unit (for N-IO)

A power supply unit and an N-ESB bus module are mounted on base plate for node interface unit, which provides communication interface functions in between a field control unit and base plate for barriers as well as a node interface unit. The A2NN30D supply power to the base plates for barriers. Mounting types are selectable from wall-mountable and DIN-rail mountable.

**SEE
ALSO**

For more details, refer to the GS of "N-IO node (for RIO System Upgrade)" (GS 33J64F10-01EN).



F040221.ai

Figure A2NN30D node interface unit (for N-IO)

● Base plates for barriers

Model	Name
A2BN4D	Base plate for barrier (for N-IO, MTL barrier)
A2BN5D	Base plate for barrier (for N-IO, P+F barrier)

Note: A2BN3D cannot be used for RIO System Upgrade.

These base plates communicate with the node interface unit via an F-SB bus cable (A2KLF00) bus by connecting a field signal to a terminal on the I.S. barrier mounted on the base plate. I/O

modules (for N-IO) can be configured in a single or dual-redundant configuration. Up to 16 I.S. barriers can be mounted on channels. This base plate consists of a system power supply and field power supply interface to supply power to the I/O module(for N-IO) from the node interface unit via the A2KPB00 power supply cable for base plate, and to supply field power to the I.S. barriers by connecting the specified power line. This base plate for barrier supports both the DIN rail mountable type and wall mountable type.

SEE ALSO

For more details of the base plates for barrier, refer to the GS of "N-IO node (for RIO System Upgrade)" (GS 33J64F10-01EN).

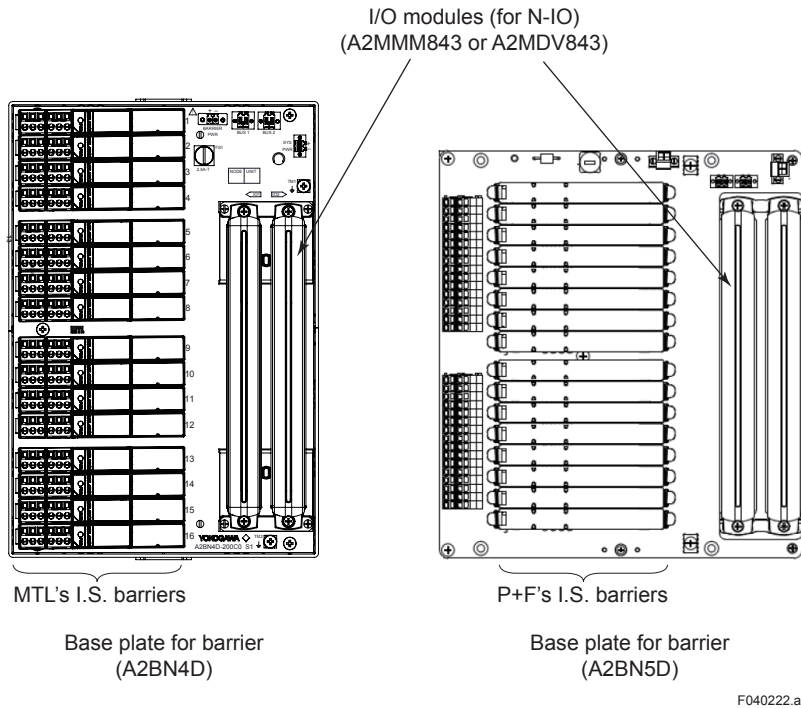


Figure Hardware configuration of base plate for barrier

The following tables show the I/O module and connecting cables between the Node interface unit and the base plates for barrier.

● **I/O Module (for N-IO)**

Model	Name
A2MMM843	Analog digital I/O module (16-channel, Isolated)
A2MDV843	Digital I/O module (16-channel, Isolated)

● **Cables (for N-IO)**

Model	Name
A2KLF00	F-SB bus cable
A2KPB00	Power supply cable for base plate

SEE ALSO

For more details of the I/O modules (for N-IO), cables (for N-IO), and various I.S. barrier types, refer to the GS of "N-IO node (for RIO System Upgrade)" (GS 33J64F10-01EN).

4.2.6 Upgrading Cabinets

For upgrading an FCU with cabinet and I/O expansion cabinet, use A2CUKT3 cabinet utility kit.

**SEE
ALSO**

For the details of the A2CUKT3 and applicable cabinets, refer to the GS "Field Control Unit, Cabinet Utility Kit (for RIO System Upgrade)" (GS 33J64E10-01EN).

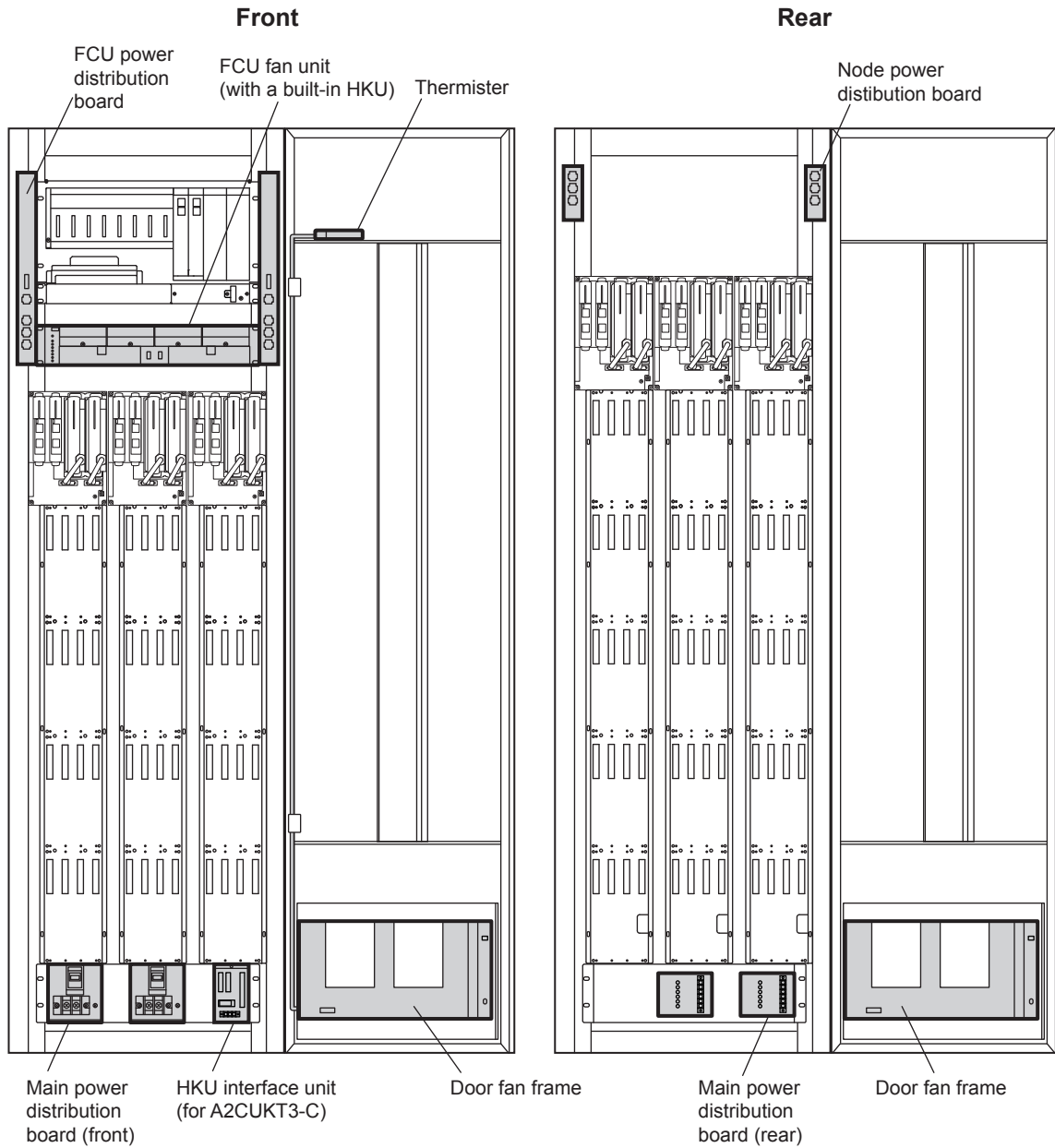
The A2CUKT3 are composed of the parts as shown in the table below.

Table List of A2CUKT3 main parts

Description		Quantity	
		A2CUKT3-C□□□ (for FCU with cabinet)	A2CUKT3-N□□□ (for I/O expansion cabinet)
Main power distribution board	Single power source	1	1
	Dual power sources	2	2
HKU interface unit		1	1
Node power distribution board		2	4
FCU power distribution board		2	—
FCU fan unit (with a built-in HKU) (*1)		1	—
Junction adapter		—	1
Fan power supply unit		—	2
HKU (for I/O expansion cabinet)		—	1
Door fan frame (for front side)		1	1
Door fan frame (for back side)		1	1
Thermister		1	1

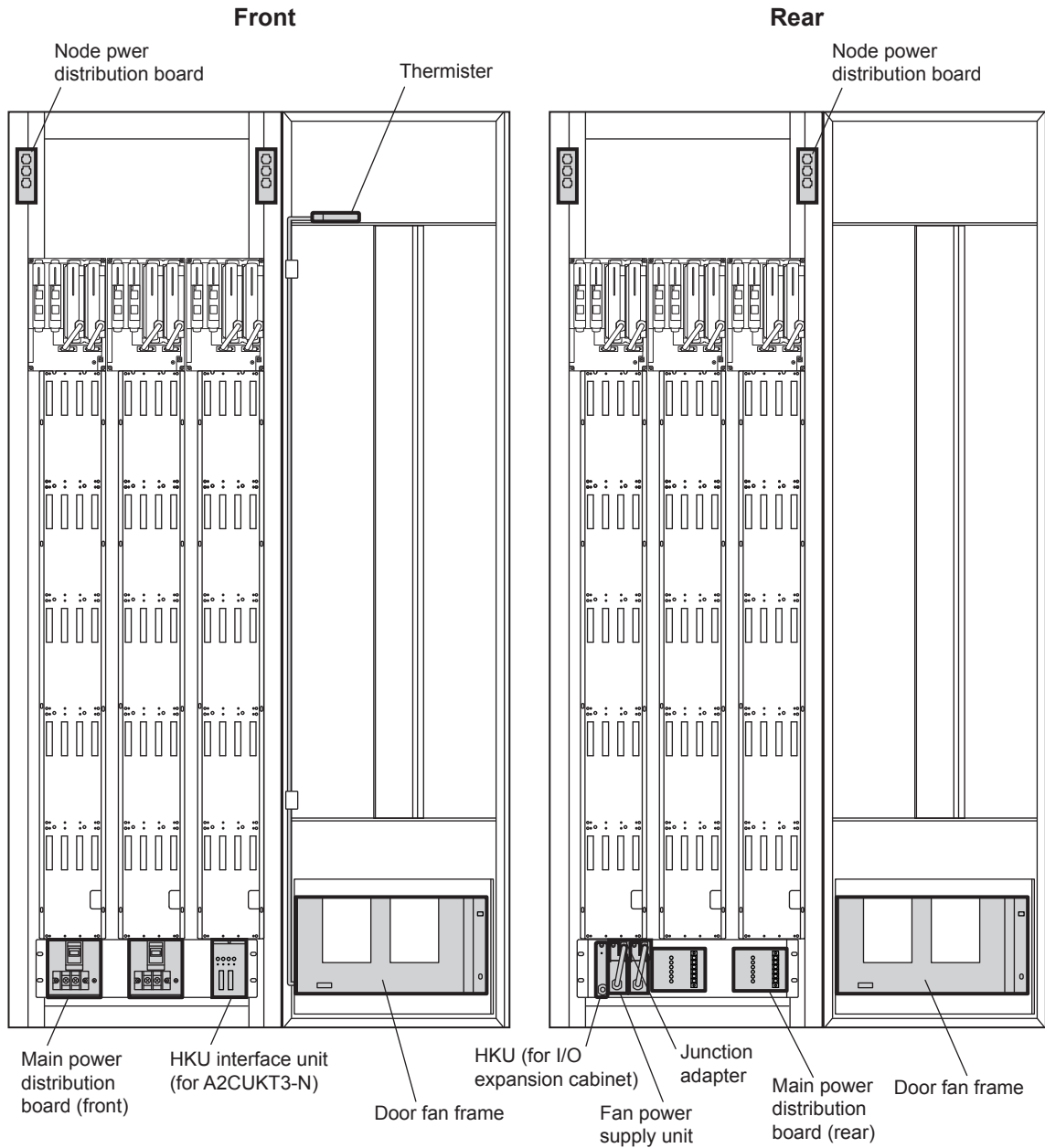
*1: HKU stands for house keeping unit.

The following figures shows an example of upgrading an FCU with cabinet and an I/O expansion cabinet using A2CUKT3 cabinet utility kit.



F040214.ai

Figure Cabinet after upgrading with A2CUKT3-□□□□



F040215.ai

Figure Cabinet after upgrading with A2CUKT3-N□□□

4.2.7 Procedures for onsite modification

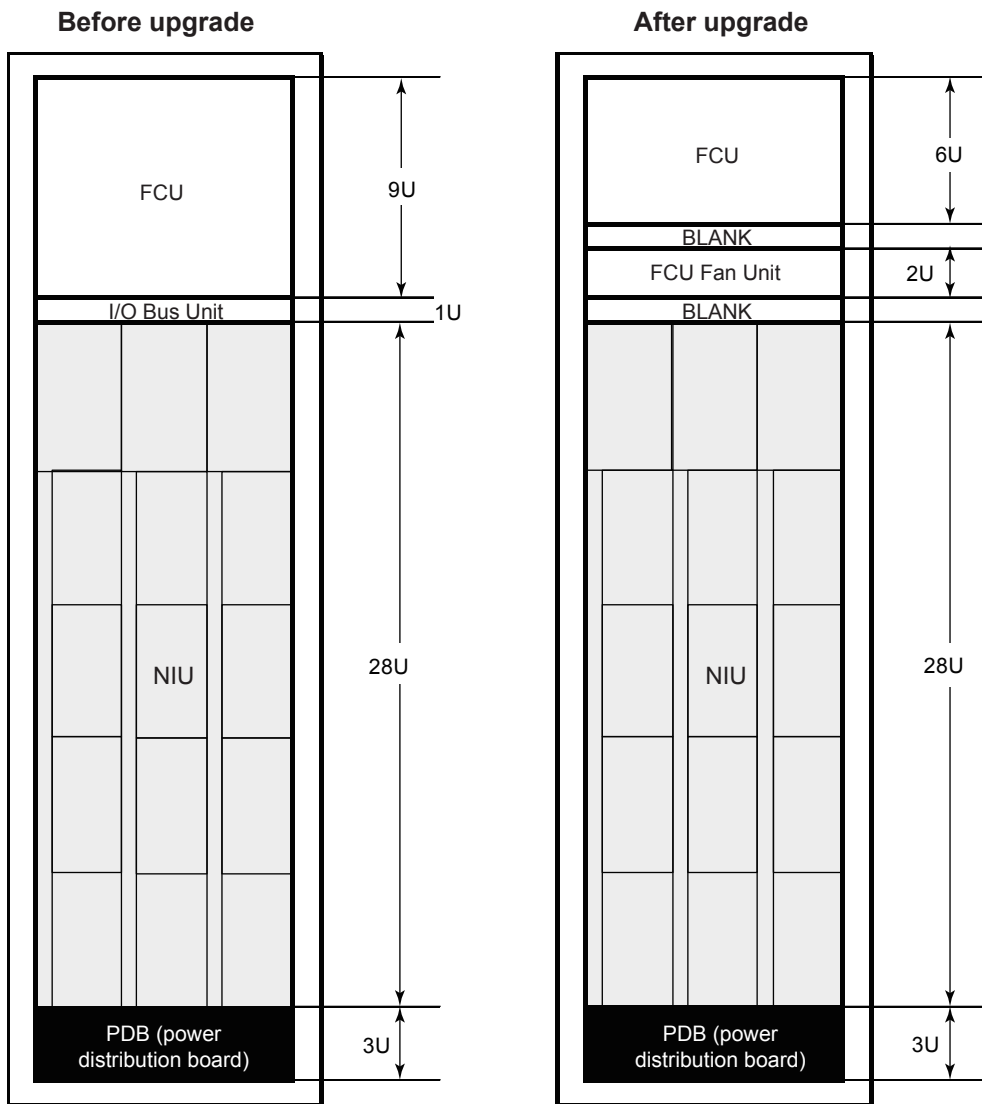
Procedures for upgrading the existing FCU with cabinet for RIO using A2CUKT3 are as described below.

● FCU with cabinet (front)

1. Check labels, tags, and destinations of all the field wiring.
2. Disconnect the cables connected to the door fan units and remove the front and rear doors of the cabinet.
3. Disconnect the cables in the order of the power supply, the processor module, and the FCU chassis.
4. Dismount the nests for I/O modules from the node and disconnect the field cables for curing.
 - AMN32 (*1), AMN33, AMN34, and AMN51: Remove cables from the I/O modules.
 - AMN21, AMN31, and AMN32 (*1): Remove the existing terminal board from the nest for I/O modules.
 - AMN11 and AMN12: Temporarily remove the wiring from M4 screw terminals as the terminal board and the nest are integrated.
5. Disconnect cables connected to the NIU, and dismount the NIU.
6. Replace the primary power distribution board and the main power distribution board.
7. Install new NIUs, FCU fan units, and FCU, then layout the cables.
8. Replace the HKU interface.
9. Install new multi-channel I/O modules and nest for I/O adaptor for RIO System Upgrade to the NIU.
10. Layout field wirings referring to the labels, tags, and destinations.
 - Multi-channel I/O modules (KS cable connection type): Connect KS cables.
 - Multi-channel I/O modules (terminal connection type): Mount terminal boards.
 - Nest for I/O adaptors: Connect the cables disconnected in step #4 with M4 screw terminals.
11. Replace the door fan assemblies and thermistors. Put the front and rear doors back on to the cabinet, and connect the door fan cable.

Note: The above procedure is an example and orders of some of the steps may be changed due to the conditions on site.

*1: Disconnect the KS cable from AMN32 when AMM12C, AMM22C, AMM25C, AMM32C, AMM32CJ, ADM11, ADM12, ADM51, and/or ADM52 are mounted. Remove the terminal board when AMM12T, AMM22M, AMM22T, and/or AMM22TJ are mounted.



F040216.ai

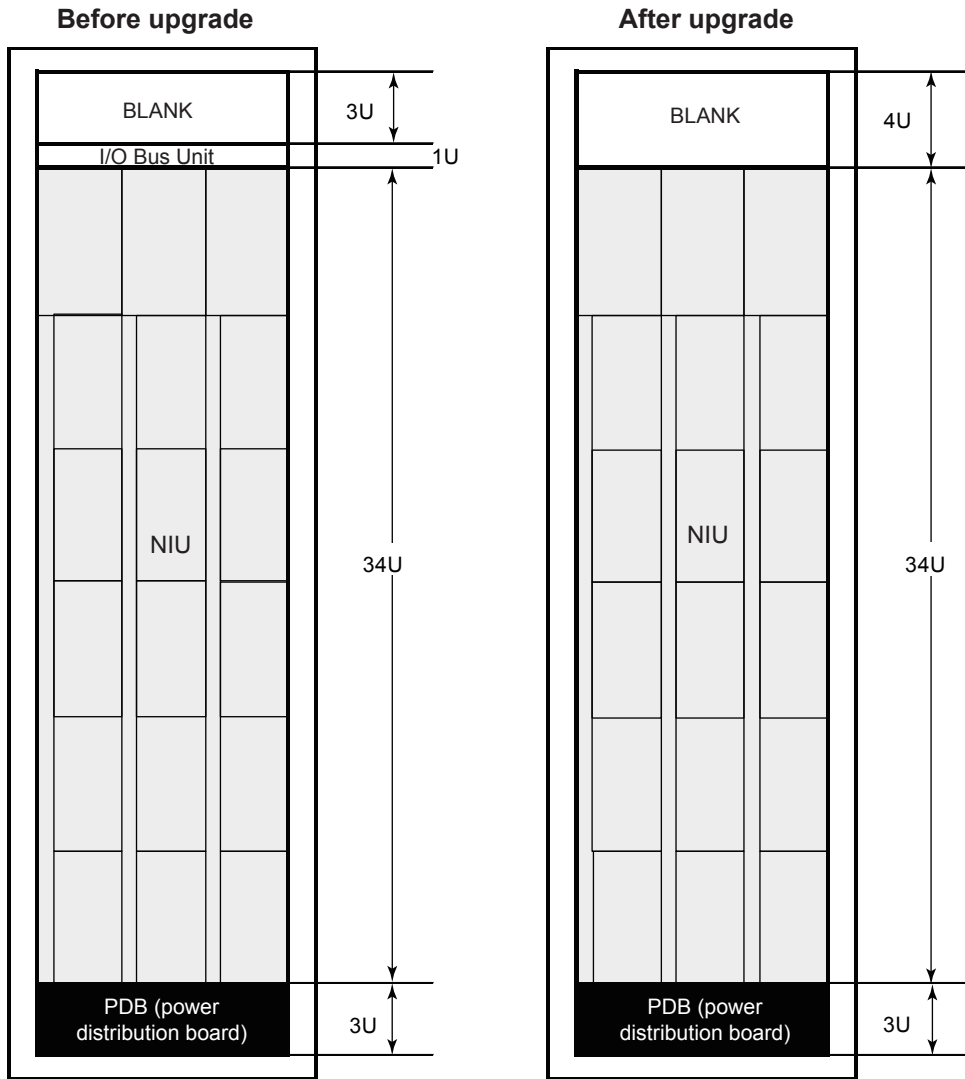
Figure FCU with cabinet before and after upgrading (Front)

- **FCU with cabinet (rear) and I/O expansion cabinet**

1. Check labels, tags, and destinations of all the field wiring.
2. Disconnect the cables connected to the door fan units and remove the front and rear doors of the cabinet.
3. Dismount the nests for I/O modules from the node and disconnect the field cables for curing.
 - AMN32 (*1), AMN33, AMN34, and AMN51: Remove cables from the I/O modules.
 - AMN21, AMN31, and AMN32 (*1): Remove the existing terminal board from the nest for I/O module.
 - AMN11 and AMN12: Temporarily remove the wiring from M4 screw terminals as the terminal boards and the nests are integrated.
4. Disconnect cables connected to the NIU, and dismount the NIU.
5. Replace the primary power distribution board and the main power distribution board.
6. Replace the HKU, HKU interface, junction adapters, and fan power supply unit.
7. Install a new NIU and layout cables.
8. Mount multi-channel output modules and nests for I/O adaptors for RIO System Upgrade to the NIU.
9. Layout field wirings referring to the labels, tags, and destinations.
 - Multi-channel I/O modules (KS cable connection type): Connect KS cables.
 - Multi-channel I/O modules (terminal connection type): Mount terminal boards.
 - Nest for I/O adaptors: Connect the cables disconnected in step #3 with M4 screw terminals.
10. Replace the door fan assemblies and thermisters. Put the front and rear doors back on to the cabinet, and connect the door fan cable.

Note: The above procedure is an example and orders of some of the steps may be changed due to the conditions on site.

*1: Disconnect the KS cable from AMN32 when AMM12C, AMM22C, AMM25C, AMM32C, AMM32CJ, ADM11, ADM12, ADM51, and/or ADM52 are mounted. Remove the terminal board when AMM12T, AMM22M, AMM22T, and/or AMM22TJ are mounted.



F040217.ai

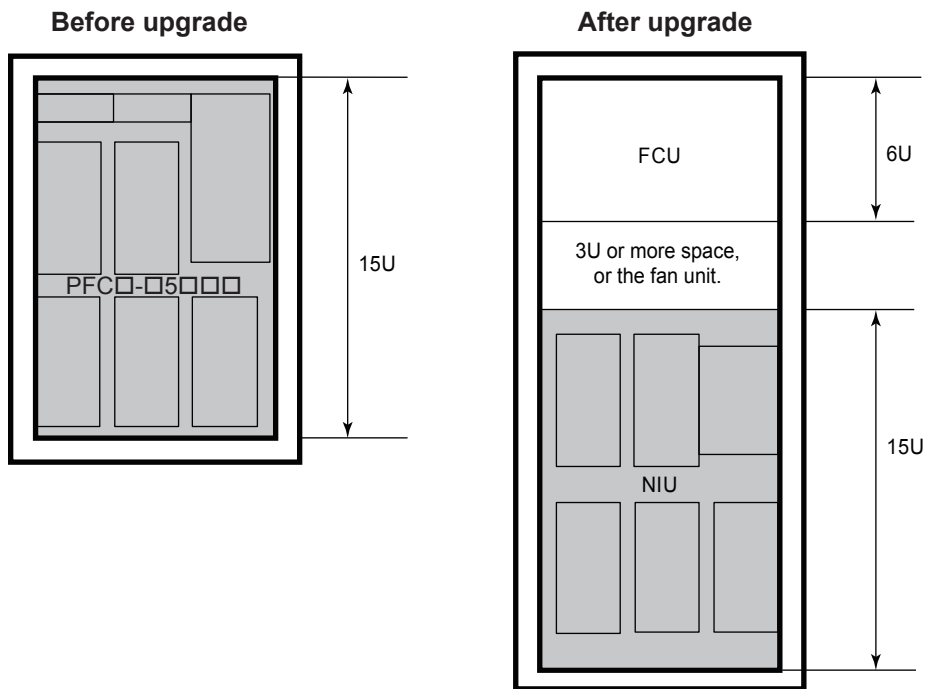
Figure FCU with cabinet (rear) and I/O expansion cabinet before and after upgrading

● Control station (PFC□)

1. Check labels, tags, and destinations of all the field wiring.
2. Dismount the nests for I/O modules from the node and disconnect the field cables for curing.
 - AMN32 (*1), AMN33, AMN34, and AMN51: Remove cables from the I/O modules.
 - AMN21, AMN31, and AMN32 (*1): Remove the existing terminal board from the nest for I/O module.
 - AMN11 and AMN12: Temporarily remove the wiring from M4 screw terminals as the terminal boards and the nests are integrated.
3. Remove the PFC□.
4. Install a new FCU and node interface units (for RIO System Upgrade, rack mountable type) and layout cables.
5. Mount multi-channel output modules and nests for I/O adaptors for RIO System Upgrade to the NIU.
6. Layout field wirings referring to the labels, tags, and destinations.
 - Multi-channel I/O module (KS cable connection type): Connect KS cables.
 - Multi-channel I/O modules (terminal connection type): Mount terminal boards.
 - Nest for I/O adaptors: Connect the cables disconnected in step #2 with M4 screw terminals.

Note: The above procedure is an example and orders of some of the steps may be changed due to the conditions on site.

*1: Disconnect the KS cable from AMN32 when AMM12C, AMM22C, AMM25C, AMM32C, AMM32CJ, ADM11, ADM12, ADM51, and/or ADM52 are mounted. Remove the terminal board when AMM12T, AMM22M, AMM22T, and/or AMM22TJ are mounted.



F040218.ai

Figure PFC□ before and after upgrading

4.2.8 Functional differences between the existing FCS and upgraded FCS

■ Hardware of existing RIO system and after system upgrade

Description		CENUTM CS Existing RIO system	CENTUM VP after RIO System Upgrade
Control network		V net	Vnet/IP
FCS Types		LFCS, LFCS2, PFCS, and SFCS	FFCS-R
I/O bus (between nodes)		RIO bus	N-ESB bus Optical ESB bus ESB bus
Node types	Rack mountable type	ANS10, AND10, ANS50, and AND50	A2NN10D (*1)
		ANS11, and AND11	ANB10D, ANB11D
	Cabinet type	ANS20, and AND20	A2NN20D (*1)
	Wall or DIN-rail mountable type	N/A	A2NN30D(*1) (*3)
Channel I/O		Current/voltage input: AAM1□ Current/voltage output: AAM5□ mV/Thermocouple/RTD input: AAM21□ Pulse input: APM11	Current/voltage input: A2SAM105 Current/voltage output: A2SAM505 mV/Thermocouple/RTD input: A2SAT105 Pulse input: A2SAP105
Multi-channel I/O		Current input: AMM42T Current output: AMM52T Voltage input: AMM1□□ mV input, Thermocouple input: AMM2□□ RTD input: AMM3□□ MAC2 compatible input: AMC80 Contact input: ADM1□□ Contact output: ADM5□□ Relay input: ADM15R Relay output: ADM55R	Current input: AAI143-HM□ Current output: AAI543-HM□ Voltage input: AAV144-SK□, AAV144-SM□ mV input, Thermocouple input: AAT145-SK□, AAT145-SM□ RTD input: AAR145-SK□, AAR145-SM□ MAC2 compatible input: AAB841-SK□ Contact input: ADV1□9-PK□, ADV1□9-PM□ Contact output: ADV5□9-PK□, ADV5□9-PM□ Relay input: ADV159-PY□ Relay output: ADV559-PY□
Communication I/O		RS-232C communication: ACM□1 RS-422/RS-485 communication: ACM□2 Ethernet communication: ACM71 Fieldbus communication: ACF11 PROFIBUS communication: ACP71	RS-232C communication: ALR111 (*2) RS-422/RS-485 communication: ALR121 (*2) Ethernet communication: ALE111 (*2) Fieldbus communication: ALF111 (*2) PROFIBUS communication: ALP121 (*2)
Field-side signal connection		M4 screw terminal KS cable interface	
I. S. barrier solution I/O	Base plate	N/A	For MTL barrier: A2BN4D For P+F barrier: A2BN5D
	I/O module	N/A	Analog Digital I/O: A2MMM843 Digital I/O: A2MDV843
	I.S. barrier	N/A	(*4)
	Field-side signal connection	N/A	pressure clamp terminal: A2BN4D spring clamp terminal: A2BN5D

*1: The N-ESB bus and power supplies are configured dual-redundant.

*2: Communication modules (ALR111, ALR121, ALE111, ALF111, and ALP121) are mounted on the A2FV70□ FCU, ANB10D node unit for dual-redundant ESB bus, or ANB11D node unit for dual-redundant optical ESB bus.

*3: For I.S. barrier solutions.

*4: For the details of various I.S. barrier types, refer to GS of "N-IO node (for RIO System Upgrade)" (GS33J64F10-01EN).

■ Functional differences of the FCS control network

Description	CENUTM CS/CS 1000/CS 3000/VP	CENTUM VP after RIO System Upgrade
Control network type	V net	Vnet/IP
No. of connecting devices	64 units/domain	
Communication method	Read/write communication, message communication, and link transmission	
Link transmission cycle	100 msec	
Line access control	Token passing	Ethernet-compliant (CSMA/CD)
Network configuration	Bus type	Star type
Transmission speed	10 Mbps	1 Gbps or 100 Mbps (with V net router)
Transmission route	Dual-redundant (single route is partly possible)	Dual-redundant only
Transmission cable	Coaxial cable, optical fiber cable	CAT5e cable, optical fiber cable
Transmission distance	Coaxial cable: Max. 500 m Optical fiber cable: Max. 15 km	CAT5e cable: Max. 100 m Optical fiber cable: Max. 5 km (up to 20 Km depending on the condition)
Bus repeater	YNT512□, YNT511□, YNT522□	Network switches for Vnet/IP (Yokogawa recommended models by collaboration with switch vendors)

Remarks for upgrading

- Re-installation of communication cables is required as Vnet/IP is adopted for the control network.
- In the phased system upgrading, when the existing V net and Vnet/IP are connected, network switches for Vnet/IP (or AVR10D V net router) are required.
- Optical fiber cables are required for the transmission distance of 100 m or further.
- A single mode optical fiber (SMF) is recommended for optical fiber cable. For the distance of over 5 km, refer to the Technical Information (TI) "Network Switch for Vnet/IP" (TI 30A10A30-01E). In case the existing multi-mode optical fiber (MMF) is re-used, ensure that performance of the existing MMF satisfies the required specifications of the cables by referring to the TI "Vnet/IP Network Construction Guide" (TI 30A10A05-01E).

■ Functional differences of the I/O bus (communications among I/O nodes)

Item	CENUTM CS/ CS1000/CS3000/VP RIO system	CENTUM VP for RIO System Upgrade		
		N-ESB Bus	Optical ESB Bus	ESB Bus
Bus type	RIO Bus	N-ESB Bus	Optical ESB Bus	ESB Bus
Number of connectable nodes (/FCU)	RIO node: Max. 8	N-IO node (*1): Max. 8		—
		—	FIO node (*2): Max. 8	
Network topology	Chain connection only	Star connections: Max. 8 lines Chain connections: Max. 8 hops (*3)	Star connections: Max. 8 lines Chain connections: Max. 8 hops (*3) (*4)	Star connections: Max. 2 lines Chain connections: Max. 8 hops
Transmission redundancy	Dual-redundant or Single	Dual-redundant only	Dual-redundant only	Dual-redundant only
Transmission speed	2 Mbps	100 Mbps	192 Mbps	128 Mbps
Transmission cable	Twisted pair cableC or Optical fiber cable	UTP straight cable of CAT5e	Optical fiber cable	Dedicated cable (YCB301)
Transmission distance	Twisted pair cable : Max. 750 m Optical fiber cable : Max. 4 km	Max. 100 m	Max. 50 km	Max. 10 m

*1: An N-IO node refers to an I/O node consisting of a Node Interface Unit (for RIO system upgrade) [A2NN10D, A2NN20D].

*2: The FIO node refers to an I/O node consisting of a Node Unit for Dual-Redundant ESB Bus (ANB10D) or a Node Unit for Dual-Redundant ESB Bus with Optical Repeater (ANB11D).

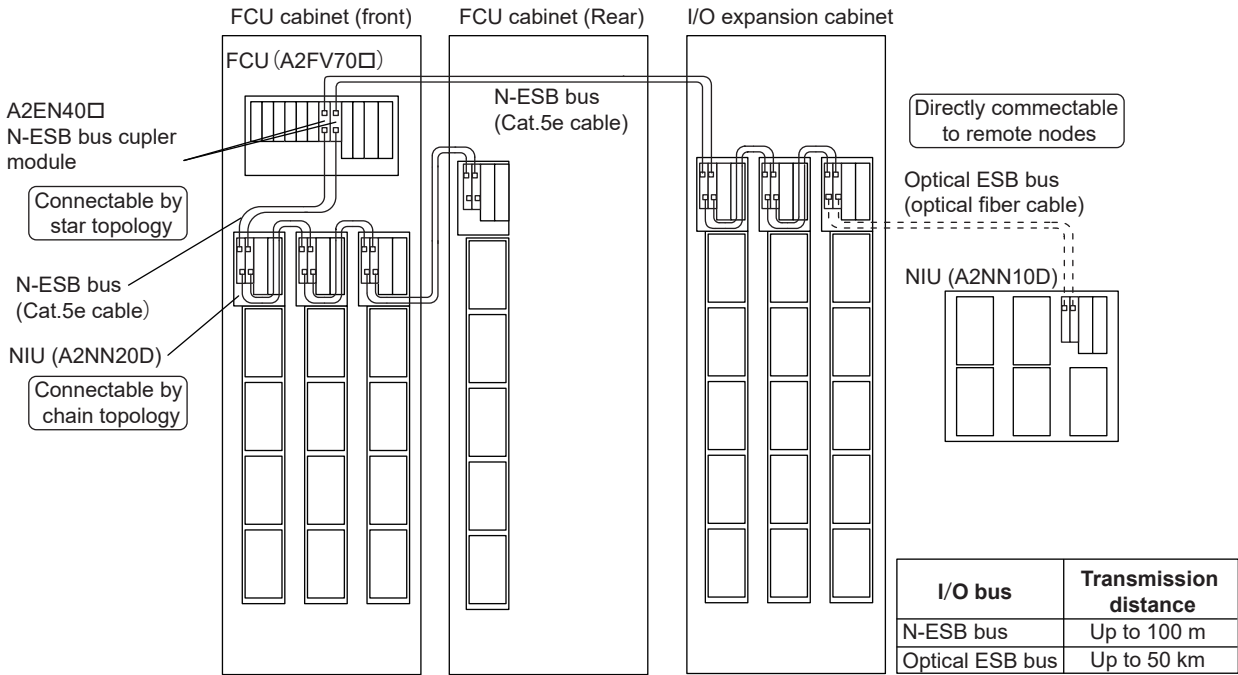
*3: If the N-ESB bus / optical ESB bus communication module (relay function) stops operating due to a power failure or the like, communication with the N-IO node connected thereafter stops. If there is a possibility that power distribution to some nodes during chain connection may be lost, such as when the power supply system is different, please make a star connection.

*4: Up to 2 hops for chain connection of Optical ESB bus is available when N-ESB bus and Optical ESB bus are used in combination.

Remarks for upgrading

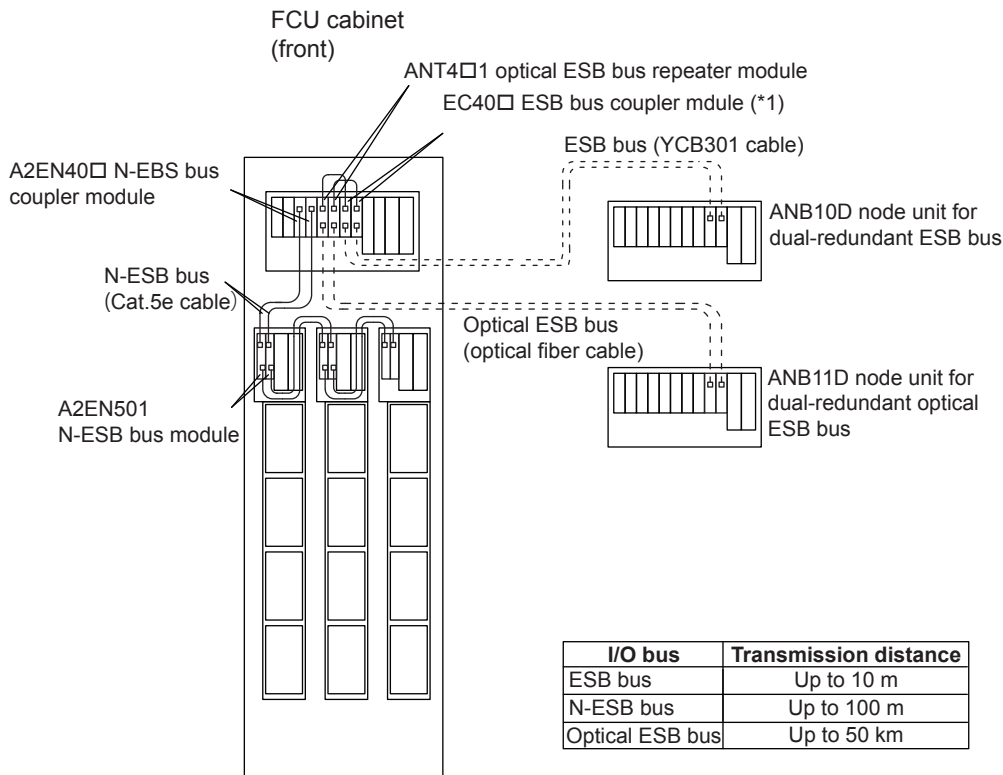
- Only dual-redundant configuration of I/O bus (N-ESB bus, optical ESB bus, and ESB bus) is allowed for FCU for RIO System Upgrade.
- General-purpose N-ESB bus cables and optical fiber cables are adopted.
- Optical ESB buses (optical fiber cables) are required for the transmission distance of 100 m or further. (Single mode (SMF) optical fiber cables are recommended.)
- Acknowledge the followings for using the existing multi-mode fiber (MMF).
 - ANT421 or ANT522 optical ESB bus repeater modules are required.
 - The max. distance of the MMF applicable to the system is 4 km.
 - In case the existing MMF and ANT421/ANT522 are connected, mode conditioning patch code compliant to the IEEE 802.3z standard needs to be inserted.
 - Before utilizing the existing MMF the communication quality must be verified on site. For the verification work, consult the local Yokogawa service office.
- EC40□ ESB bus coupler module is required when using ANB10D node unit for dual-redundant ESB bus or ANB11D node unit for dual-redundant optical ESB bus.

● **Generic upgrading (Replace RIO bus with N-ESB bus or Optical ESB bus)**



F040219.ai

● **Connecting node units to install communication modules (using ESB bus/Optical ESB bus)**



F040220.ai

*1: When connecting ANB10D or ANB11D to this module, install EC40□ bus coupler module to the A2FV70□ FCU.

SEE ALSO

For the details of the bus interface modules, node units, and installation unit for optical ESB bus repeater module, refer to the GS shown in the next table.

Table General Specifications (GS) for I/O bus and its peripherals

Model	Descriptions	Remarks	Reference GS
EC401	ESB bus coupler module (for N-IO/FIO, 1-port)	ESB bus communication module	GS 33J60E50-01EN
EC402	ESB bus coupler module (for N-IO/FIO, 2-port)		GS 33J60E51-01EN
A2EN402	N-ESB bus couple module (for N-IO, 2-port)	N-ESB bus communication module	GS 33J62E50-01EN
A2EN404	N-ESB bus couple module (for N-IO, 4-port)		
ANT401	Optical ESB bus repeater master module 5 km (for N-IO/FIO)	Optical ESB bus communication module	GS 33J60F51-01EN
ANT502	Optical ESB bus repeater slave module 5 km (for N-IO/FIO)		
ANT411	Optical ESB bus repeater master module 5 to 50 km (for N-IO/FIO)		GS 33J60F52-01N
ANT512	Optical ESB bus repeater slave module 5 to 50 km (for N-IO/FIO)		
ANB10D	Node unit for dual-redundant ESB bus	Node expansion unit for mounting to communication module	GS 33K60F20-01EN
ANB11D	Node unit for dual-redundant optical ESB bus		GS 33J60F30-01EN
ANT10U	Unit for optical ESB bus repeater module (for N-IO/FIO)	A node expansion unit for connecting optical ESB bus in a star or chain configuration	GS 33J60F50-01EN

4.2.9 Installation environment

■ System installation requirements

The system installation requirements before and after the upgrading are the same as before.

SEE ALSO For further details, refer to the GS “Field Control Unit, Cabinet Utility Kit (for RIO System Upgrade)” (GS 33J64E10-01EN).

■ Regulatory compliance

Hardware products for the RIO System Upgrades are in compliance with the safety standards and EMC standards; however, the contents of the conformity may be different from the existing products.

SEE ALSO For more details, refer to the GS “Integrated Production Control System CENTUM VP Overview” (GS 33J01A10-01EN). Depending on the existing instrumentation form, additional measures such as arrester may be required. For the details of the explosion proof standards, refer to the TI of “Explosion Protection” (TI 33J01J30-01EN).

■ Power consumption, heat dissipation, and in-rush current

The power consumption, heat dissipation before and after the upgrading are the same or less. As for the in-rush currents, using the breakers that satisfies the Yokogawa specified rating is recommended. When the 24 V DC power supply is used in the existing system, the in-rush current to the equipment for upgrading will increase slightly. In case the existing system uses 24 V DC power supply and the rating of the existing breaker is less than what YOKOGAWA recommended, contact the local Yokogawa office.

SEE ALSO For further details of power consumption, heating value, actual in-rush current measurement data, and breaker specifications for each component of RIO system, refer to “Appendix 2. CENTUM RIO system installation specifications.”

5. Upgrading Standard/Optional Software

In this chapter, the software packages that need to be upgraded and after upgrading are described.

5.1 CENTUM VP software license

For upgrading the RIO system, the following software licenses are required other than the ones for RIO System Upgrade of the human machine interface (HMI) and field control stations (FCS).

- **Project ID license**

“Project ID license” is a license in 8-digit numeric (provided on a sheet of paper) assigned per CENTUM VP project to identify CENTUM VP system, introduced from CENTUM VP R4 and after. When upgrading the existing systems of CENTUM CS, CENTUM CS 1000 and/or CENTUM CS 3000, a new Project ID license is mandatory.

- **Project IO license**

“Project IO license” determines the number of input and output points to be used on a single CENTUM VP project. All the number of analog, contact, fieldbus, and communication inputs/outputs defined for the CENTUM VP project is converted into logical I/O points based on the significance of each I/O point. Then, the number of logical I/O points determines the number of the Project I/O license. For further details of the Project I/O license and how to figure out the logical I/O licenses, refer to the General Specifications (GS) of “VP6F3100 Project I/O License” (GS 33J15A10-01EN).

5.2 Upgrading HMI software (for operation and monitoring)

In this section, the operation and monitoring software packages that need to be upgraded and those packages after upgrading are described.

■ CENTUM CS operation and monitoring software package

Table List of operation and monitoring packages for upgrading

CENTUM CS		CENTUM VP R6 or later	
Model	Description	Model	Description
SIH1100	Standard operation and monitoring functions	VP6H1100	Standard operation and monitoring function
SIH1800	ICS start-up screen		
SIH4150	External I/O nest support functions (for recorder output)	VP6H4150	Output to external recorder package
SIH4410	Control drawing status display package	VP6H4410	Control drawing status display package
SIH4420	Control drawing status display package	VP6H4420	Logic chart status display package
SIH4430	SEBOL status display package	VP6H1100	Standard operation and monitoring function
SIH4440	SFC status display package		
SIH4450	CS 1000/CS 3000 project connection package	VP6H4450	Multiple project connection package
SIH4820	Historical message/trend text conversion message	VP6H1100	Standard operation and monitoring function
SIH6600	CS batch recipe management package	VP6E5166	Recipe management package
SIH6610	CS batch recipe management package	VP6H6660	Process management package
SIH6620	Unit supervision package	VP6H1100	Standard operation and monitoring function
SIH6662	CS batch production planning and scheduling interface	VP6H6660	Process management package
SIH6680	Standard recipe data management package	ES41VLN55	Recipe management for VP software
SIH6681	Client recipe data management functions		

■ CENTUM CS 1000 operation and monitoring software package

Table List of operation and monitoring packages for upgrading

CENTUM CS 1000		CENTUM VP R6 or later	
Model	Description	Model	Description
PHS1101	Standard operation and monitoring function	VP6H1100	Standard operation and monitoring function
PHS1130	Console HIS support package for open display style	VP6H1130	Console HIS support package for open display style
PHS2411	Exaopc OPC interface package (for HIS)	VP6H2411	Exaopc OPC interface package (for HIS)
PHS2412	CENTUM data access library	VP6H2412	CENTUM data access library
PHS4100	Configured information reference package	VP6H4100	Configured information reference package
PHS4190	Line printer support package	VP6H4190	Line printer support package
PHS4200	Historical message integration package (meeting FDA regulations)	VP6H4200	Historical message integration package (meeting FDA regulations)
PHS4410	Control drawing status display package	VP6H4410	Control drawing status display package
PHS4420	Logic chart status display package	VP6H4420	Logic chart status display package
PHS4510	Expert trend viewer package	VP6H1100	Standard operation and monitoring function
PHS4600	Multiple-monitor support package	VP6H4600	Multiple-monitor support package
PHS4700	Advanced alarm filter package	VP6H4700	Advanced alarm filter package
PHS6510	Long-term data archive package	VP6H6510	Long-term data archive package
PHS6530	Report package	VP6H6530	Report package
PHS6710	FCS data setting/acquisition package (PICOT)	VP6H6710	FCS data setting/acquisition package (PICOT)
PHS6600	CS Batch 1000 process management package	VP6H6660	VP Batch process management package

■ CENTUM CS 3000 operation and monitoring software package

Table List of operation and monitoring packages for upgrading

CENTUM CS 3000		CENTUM VP R6 or later	
Model	Description	Model	Description
LHM1101	Standard operation and monitoring function for new installation	VP6H1100	Standard operation and monitoring function
LHS1100	Standard operation and monitoring function		
LHS1120	Console HIS support package for enclosed display style	VP6H1120	Console HIS support package for enclosed display style
LHS1130	Console HIS support package for open display style	VP6H1130	Console HIS support package for open display style
LHS1150	Server for remote operation and monitoring function	VP6H1150	Server for remote operation and monitoring function
LHM1150			
LHS4510	Expert trend viewer package	VP6H1100	Standard operation and monitoring function
LHS4800	Consolidated alarm management software CAMS for HIS		
LHS2411	Exaopc OPC interface package (for HIS)	VP6H2411	Exaopc OPC interface package (for HIS)
LHS2412	CENTUM data access library	VP6H2412	CENTUM data access library
LHS4000	Million tag handling package	VP6H4000	Million tag handling package
LHS4100	Configured information reference package	VP6H4100	Configured information reference package
LHS4150	Output to external recorder package	VP6H4150	Output to external recorder package
LHS4190	Line printer support package	VP6H4190	Line printer support package
LHS4200	Historical message integration package (meeting FDA regulations)	VP6H4200	Historical message integration package (meeting FDA regulations)
LHM4410	Control drawing status display package (for AFF30□)	VP6H4410	Control drawing status display package
LHS4410			
LHM4420	Logic chart status display package	VP6H4420	Logic chart status display package
LHS4420			
LHS4450	Multiple-project connection package	VP6H4450	Multiple-project connection package
LHS4600	Multiple-monitor support package	VP6H4600	Multiple-monitor support package
LHS4700	Advanced alarm filter package	VP6H4700	Advanced alarm filter package
LHS6510	Long-term data archive package	VP6H6510	Long-term data archive package
LHS6530	Report package	VP6H6530	Report package
LHM6710	FCS data setting/acquisition package (PICOT)	VP6H6710	FCS data setting/acquisition package (PICOT)
LHS6710			
LHM6600	CS batch 3000 process management package (for CENTUM CS 3000 entry class)	VP6H6660	VP Batch process management package
LHS6600			
LHS6600	CS batch 3000 process management		

■ CENTUM VP operation and monitoring software package

Table List of operation and monitoring packages for upgrading

Up to CENTUM VP R5		From CENTUM VP R6 and after	
Model	Description	Model	Description
LHM1101	Standard operation and monitoring function for new installation (for CENTUM VP entry class)	VP6H1100	Standard operation and monitoring function
LHS1100	Standard operation and monitoring function		
LHS1120	Console HIS support package for enclosed display style	VP6H1120	Console HIS support package for enclosed display style
LHS1130	Console HIS support package for open display style	VP6H1130	Console HIS support package for open display style
LHS1140 (*1)	Eight-loop simultaneous operation package (for AIP831)	VP6H1140	Eight-loop simultaneous operation package (for AIP831)
LHS1150	Server for remote operation and monitoring function	VP6H1150	Server for remote operation and monitoring function
LHM1150	Server for remote operation and monitoring function (for CENTUM VP entry class)		
LHS2411	Exaopc OPC interface package (for HIS)	VP6H2411	Exaopc OPC interface package (for HIS)
LHS2412	CENTUM data access library	VP6H2412	CENTUM data access library
LHS4000	Million tag handling package	VP6H4000	Million tag handling package
LHS4100	Configured information reference package	VP6H4100	Configured information reference package
LHS4150	Output to external recorder package	VP6H4150	Output to external recorder package
LHS4190	Line printer support package	VP6H4190	Line printer support package
LHS4200	Historical message integration package (meeting FDA regulations)	VP6H4200	Historical message integration package (meeting FDA regulations)
LHM4410	Control drawing status display package (for CENTUM VP entry class)	VP6H4410	Control drawing status display package
LHS4410	Control drawing status display package		
LHM4420	Logic chart status display package (for CENTUM VP entry class)	VP6H4420	Logic chart status display package (for CENTUM VP entry class)
LHS4420	Logic chart status display package		
LHS4450	Multiple-project connection package	VP6H4450	Multiple-project connection package
LHS4510	Expert trend viewer package	VP6H1100	Standard operation and monitoring function
LHS4600	Multiple-monitor support package	VP6H4600	Multiple-monitor support package
LHS4700	Advanced alarm filter package	VP6H4700	Advanced alarm filter package
LHS4800	Consolidated alarm management package CAMS for HIS	VP6H1100	Standard operation and monitoring function
LHS6510	Long-term data archive package	VP6H6510	Long-term data archive package
LHS6530	Report package	VP6H6530	Report package
LHS6710	FCS data setting/acquisition package (PICOT)	VP6H6710	FCS data setting/acquisition package (PICOT)
LHM6710	FCS data setting/acquisition package (PICOT) (for CENTUM VP entry class)		
LHM6660	VP Batch process management package (for CENTUM VP entry class)	VP6H6660	VP Batch process management package
LHS6660	VP Batch process management package		

*1: VP R5.03 or later

5.3 Upgrading HMI software (for engineering)

In this section, software packages for engineering that need to be upgraded and those packages after upgrading are described.

The RIO System Upgrade engineering is performed in the environment of the Automation Design Suite (AD Suite) which requires AP6E5100 Standard engineering function and VP6E5000 Engineering server function.

■ AD Suite

The AD suite is an engineering environment introduced from CENTUM VP R6 (and later versions), which enables Module-based engineering, tuning parameter management, configuration management, and bulk editing of data.

For further details of the AD suite, refer to the General Specifications (GS) relevant to the AD suite.

- VP6E5000 engineering server function, VP6E5100 standard engineering function (GS 33J10D10-01EN)
- VP6E5210 Module-based engineering package (GS 33J10D22-01EN)
- VP6E5215 Tuning parameter management package (for module-based engineering) (GS 33J10D24-01EN)
- VP6E5216 Bulk-editing package (for module-based engineering) (GS 33J10D26-01EN)
- VP6E5250 Change management package (GS 33J10D28-01EN)
- VP6E5260 Dependency analysis package (GS 33J10D30-01EN)

■ CENTUM CS engineering software package

Table List of engineering packages for upgrading

CENTUM CS		CENTUM VP R6 or later	
Model	Description	Model	Description
SIH5100	Standard builder functions	VP6E5000 VP6E5100	Engineering server function Standard engineering function
SIH5101	System definition functions		
SIH5102	System utility		
SIH5103	Maintenance utility		
SIH5110	ICS builder		
SIH5111	Operator utility		
SIH5120	FCS builder		
SIH5210	Bus converter builder		
SIH5410	Wireless debugging package		
SIH5620	Off-site block builder		
SHW5121	I/O list builder		
SHW5162	Unit supervision builder		
SHW5163	Valve pattern monitor package		
SIH5150	Graphic builder	VP6E5150	Graphic builder
SIH5420	FCS simulation communication package	VP6E5420	Test function
SIH5450	CS 1000/CS 3000 project connection builder	VP6E5450	Multiple project connection package
SIH5490	Standard self-documentation package	VP6E5490	Self-documentation package
SIH5492	Enhanced self-documentation package		
SHW5130	Recipe data management builder	ES41VLN55	Recipe management for VP software
SHW5131	Recipe data management self-documentation		
SHW5160	CS batch recipe management builder	VP6E5166	VP Batch recipe management package
SHW5161	CS batch process management builder	VP6E5165	VP Batch builder
SHW5170	CS batch self-documentation package	VP6E5490	Self-documentation package
SHW5175	Standard batch report builder	VP6H6530	Report package

■ CENTUM CS 1000 engineering software package

Table List of engineering packages for upgrading

CENTUM CS 1000		CENTUM VP (RIO System Upgrade)	
Model	Description	Model	Description
PHS5100	Builder function	VP6E5000 VP6E5100	Engineering server function Standard engineering function
PHS5110	Access control package	VP6E5110	Access control package
PHS5120	Control drawing package	VP6E5000 VP6E5100	Engineering server function Standard engineering function
PHS5150	Test function	VP6E5420	Test function
PHS5151	Graphic builder	VP6E5150	Graphic builder
PHS5155	Expanded test functions	VP6E5425	Expanded test function
PHS5156	FCS simulator package	VP6E5426	FCS simulator package
PHS5157	HIS simulator package	VP6E5427	HIS simulator package
PHS5160	CS batch 1000 builder	VP6E5165	VP Batch builder
PHS5161	CS batch 1000 recipe management package	VP6E5166	VP Batch recipe management package
PHS5170	Access administrator package (FDA:21 CFR Part 11 complied)	VP6E5170	Access administrator package (FDA: 21 CFR Part 11 compliant)
PHS5490	Self-documentation function	VP6E5490	Self-documentation package

■ CENTUM CS 3000 engineering software package

Table List of engineering packages for upgrading

CENTUM CS 3000		CENTUM VP (RIO System Upgrade)	
Model	Description	Model	Description
LHM5100	Standard builder function (for CENTUM VP entry class)	VP6E5000 VP6E5100	Engineering server function Standard engineering function
LHS5100	Standard builder function		
LHS5110	Access control package	VP6E5110	Access control package
LHS5150	Graphic builder	VP6E5150	Graphic builder
LHM5150	Test function	VP6E5420	Test function
LHS5160	CS batch 3000 builder	VP6E5165	VP Batch builder
LHS5161	CS batch 3000 recipe management package	VP6E5166	VP Batch recipe management package
LHS5170	Access administrator package (FDA: 21CFR Part 11 compliant)	VP6E5170	Access administrator package (FDA: 21 CFR Part 11 compliant)
LHS5420	Test function	VP6E5420	Test function
LHS5425	Expanded test functions	VP6E5425	Expanded test function
LHS5426	FCS simulator package	VP6E5426	FCS simulator package
LHS5427	HIS simulator package	VP6E5427	HIS simulator package
LHS5450	Multiple project connection package	VP6E5450	Multiple project connection package
LHM5490 LHS5490	Self-documentation package	VP6E5490	Self-documentation package
LHS5495	Electronic instruction manual	VP6C5495	Electronic instruction manual
LHS5500	User custom block development environment package	VP6E5500	User custom block development environment package

■ CENTUM VP engineering software package

Table List of engineering packages for upgrading

Up to CENTUM VP R5		CENTUM VP R6 or later	
Model	Description	Model	Description
LHM5100	Standard builder function (for CENTUM VP entry class)	VP6E5000 VP6E5100	Engineering server function Standard engineering function
LHS5100	Standard builder function		
LHS5110	Access control package	VP6E5110	Access control package
LHS5150	Graphic builder	VP6E5150	Graphic builder
LHM5150	Test function (for CENTUM VP entry class)	VP6E5420	Test function
LHS5165	VP batch builder	VP6E5165	VP Batch builder
LHS5166	VP batch recipe management package	VP6E5166	VP Batch recipe management package
LHS5170	Access administrator package (FDA: 21CFR Part 11 compliant)	VP6E5170	Access administrator package (FDA: 21 CFR Part 11 compliant)
LHS5420	Test function	VP6E5420	Test function
LHS5425	Expanded test functions	VP6E5425	Expanded test function
LHS5426	FCS simulator package	VP6E5426	FCS simulator package
LHS5427	HIS simulator package	VP6E5427	HIS simulator package
LHS5450	Multiple project connection package	VP6E5450	Multiple project connection package
LHM5490	Self-documentation package (for CENTUM VP entry class)	VP6E5490	Self-documentation package
LHS5490	Self-documentation package		
LHS5495	Electronic instruction manual	VP6C5495	Electronic instruction manual
LHS5500	User custom block development environment package	VP6E5500	User custom block development environment package

5.4 Upgrading FCS software (for control functions)

In this section, the control function software packages that need to be upgraded and those packages after upgrading are described.

■ CENTUM CS FCS software package

Table List of FCS software packages for upgrading

CENTUM CS		CENTUM VP R6 or later	
Model	Description	Model	Description
SFE1100	Standard control functions (for AFE□□□, AFM□□□ Field control unit)	VP6F1900	Control function for field control station (for A2FV70□) (*1)
SFH1100	Standard control functions (for AFS□□□ Field control unit)		
SFH3130	CS Batch process management package (for AFS□□□)	VP6H6660	Process management package
SFH3131	Unit supervision package (for AFS□□□)	VP6E5100	Standard engineering function
SFH3132	Valve pattern monitor package	VP6F3132	Valve pattern monitor package
SFH8620	Off-site block package (for AFS□□□)	VP6F8620	Off-site block package

*1: Command line (except for SP1 and SQRT) for RIO for CENTUM CS is supported.

■ CENTUM CS sub-system communication software package

Subsystem communication for CENTUM CS is upgraded by subsystem communication package for FIO. The table below shows the applicable subsystem communication functions for FIO. From CENTUM VP R5.01.00, these subsystem communication packages are bundled into the standard engineering functions.

Table List of sub-system communication software packages for upgrading

CENTUM CS		CENTUM VP R6 or later	Remarks
Model	Description		
SFH9054	ACM11/12 A & B communication function	PLC-5 communication	Applicable only for ACM11, and A (ASCII) and B (BCD) commands for ACM11 are supported. The communication size per definition is as follows: CS ACM11: Analog input module/ analog output module 128 words; Contact input module/contact output module 8 words
SFH9053	ACM11/ACM12 MODBUS communication package	MODBUS communication (for ALR111/ALR121)	—
SFH9036	ACM11/ACM12 simplified dual redundant communication function (read only)	—	Dual-redundant communication is performed by a standard function of FIO.
SF□2210	FA500/FA-M3 communication package	FA-M3 communication (for ALR111/ALR121)	Setting values for timers and counters can be written only for CENTUM CS.
SF□2261	MELSEC-A communication package	MELSEC-A communication (for ALR111/ALR121)	—
SF□9040	YS instrument communication package	YS communication (for ALR121)	—
SF□2310	FA500/FA-M3 communication package for communication node	FA-M3 communication (for ALR111/ALR121)	Maximum communication data capacity: For ACM2□ Max. 1024 words For ALR111/ALR121 Max. 1000 words
SF□2361	MELSEC-A communication package for communication node	MELSEC-A communication (for ALR111/ALR121)	Maximum communication data capacity: For ACM2□ Max. 1024 words For ALR111/ALR121 Max. 1000 words
SF□2350	Gas chromatograph communication package for communication node	MODBUS communication package (for ALR111/ALR121)	FIO does not support gas chromatograph communication. This function is substituted by MODBUS communication package for ALR. Communication data capacity per communication module is: For ACM21 1408 words For ALR121 1000 words Dedicated commands can be used for gas chromatograph communication package, and generic commands (register) is used for MODBUS communication.

■ CENTUM CS 1000 FCS software package

Table List of FCS software packages for upgrading

CENTUM CS 1000		CENTUM VP R6 or later	
Model	Description	Model	Description
PFS1100	Standard control function (for V net, for RIO)	VP6F1900	Control function for field control station (for A2FV70□) (*1)
PFS1120	Enhanced control function (for PFC□-H, for V net)		

*1: Command line (except for SP1 and SQRT) for RIO for CENTUM CS 1000 is supported.

■ CENTUM CS 1000 sub-system communication software package

Subsystem communication for CENTUM CS 1000 is upgraded by subsystem communication package for FIO. The table below shows the applicable subsystem communication functions for FIO. From CENTUM VP R5.01.00, these subsystem communication packages are bundled into the standard engineering functions.

Table List of sub-system communication software packages for upgrading (1/2)

CENTUM CS 1000		CENTUM VP R6 or later	Remarks
Model	Description		
PFS9074	PLC-5/SLC 500 communication package (for ACM71)	PLC-5/SLC 500 communication (for ALE111)	Max. number of definition per communication module: For ACM71 - 208 For ALE111 - 128
PFS9062	MELSEC-A communication package (for ACM11, ACM12)	MELSEC-A communication (for ALR111, ALR121)	Max. data volume for communication: For ACM1□ - 1024 words For ALR111/ALR121 1000 words
PFS9056	SLC 500 communication package (for ACM11)	SLC 500 communication (for ALR111, ALR121)	—
PFS9054	A-B communication package (for ACM11, ACM12)	PLC-5 communication	Applicable only for ACM11. A (ASCII) and B (BCD) commands for ACM11 are supported. The communication size per definition is as follows: ALR111/121: Analog input module/ analog output module 114 words; Contact input module/contact output module 16 words
PFS9053	Modbus communication package (for ACM11, ACM12)	Modbus communication (for ALR111, ALR121)	Max. data volume for communication: For ACM1□ - 1024 words For ALR111/ALR121 1000 words
PFS2253	Modbus communication package (for ACM71)	Modbus communication (for ALE111)	Max. number of definition per communication module: For ACM71 - 208 For ALE111 - 128
PFS2232	DARWIN/DAQSTATION communication package (for ACM71)	DARWIN/DAQSTATION communication (for ALE111)	Max. number of definition per communication module: For ACM71 - 208 For ALE111 - 128
PFS2231	FA-M3 communication package (for ACM71)	FA-M3 communication (for ALE111)	Max. number of definition per communication module: For ACM71 - 208 For ALE111 - 128

Table List of sub-system communication software packages for upgrading (2/2)

CENTUM CS 1000		CENTUM VP R6 or later	Remarks
Model	Description		
PFS2230	MELSEC-A communication package (for ACM71)	MELSEC communication (for ALE111)	Max. number of definition per communication module: For ACM71 - 208 For ALE111 - 128
PFS2220	YS communication package (for ACM11, ACM12)	YS communication (for ALR121)	—
PFS2210	FA-M3 communication package (for ACM11, ACM12)	FA-M3 communication (for ALR111, ALR121)	Max. data volume for communication: For ACM1□ - 1024 words For ALR111/ALR121 1000 words

Table List of FOUNDATION fieldbus communication software packages for upgrading

CENTUM CS 1000		CENTUM VP R6 or later	Remarks
Model	Description		
PFS2510	FOUNDATION fieldbus communication package (for ACF11)	For FOUNDATION fieldbus communication	—

Table List of PROFIBUS communication software packages for upgrading

CENTUM CS 1000		CENTUM VP R6 or later	Remarks
Model	Description		
PFS2540	PROFIBUS communication package (for ACP71)	PROFIBUS-DP communication (for ALP121)	—

■ CENTUM CS 3000/CENTUM VP FCS software package

Table List of FCS software packages for upgrading

CENTUM CS 3000/VP		CENTUM VP R6 or later	
Model	Description	Model	Description
LFS1300	Control function for standard field control station (for FIO)	VP6F1900	Standard control function (for A2FV70□) (*1)
LFS1330	Control function for enhanced field control station (for FIO)		
LFS1100	Control function for standard field control station (for RIO)		
LFS1130	Control function for enhanced field control station (for RIO)		
LFS1000	Standard control function (for PFC□-S)		
LFS1020	Enhanced control function (for PFC□-E)		
LFS1120	Control function for compact field control station		
LFS3132	Valve pattern monitor package	VP6F3132	Valve pattern monitor package
LFS8620	Off-site block package	VP6F8620	Off-site block package

*1: Command line (except for SP1 and SQRT) for RIO for CENTUM VP/CS 3000 is supported.

■ CENTUM CS 3000/CENTUM VP sub-system communication software package

Subsystem communication for CENTUM CS 3000/VP is upgraded by subsystem communication package for FIO. The table below shows the applicable subsystem communication functions for FIO. From CENTUM VP R5.01.00, these subsystem communication packages are bundled into the standard engineering functions.

Table List of sub-system communication software packages for upgrading (1/2)

CENTUM CS 3000/VP		CENTUM VP R6 or later	Remarks
Model	Description		
LFS9074	PLC-5/SLC 500 communication package (for ACM71)	PLC-5/SLC 500 communication (for ALE111)	Max. number of definition per communication module: For ACM71 - 208 For ALE111 - 128
LFS9062	MELSEC-A communication package (for ACM11, ACM12)	MELSEC-A communication (for ALR111, ALR121)	Max. data volume for communication: For ACM1□ - 1024 words For ALR111/ALR121 1000 words
LFS9056	SLC 500 communication package (for ACM11)	SLC 500 communication (for ALR111, ALR121)	—
LFS9054	A-B communication package (for ACM11, ACM12)	PLC-5 communication	Applicable only for ACM11, and A (ASCII) and B (BCD) commands for ACM11 are supported. The communication size per definition is as follows: ALR111/121: Analog input module/ analog output module 114 words; Contact input module/contact output module 16 words
LFS9053	Modbus communication package (for ACM11, ACM12)	Modbus communication (for ALR111, ALR121)	Max. data volume for communication: For ACM1□ - 1024 words For ALR111/ALR121 1000 words
LFS2253	Modbus communication package (for ACM71)	Modbus communication (for ALE111)	Max. number of definition per communication module: For ACM71 - 208 For ALE111 - 128
LFS2232	DARWIN/DAQSTATION communication package (for ACM71)	DARWIN/DAQSTATION communication (for ALE111)	Max. number of definition per communication module: For ACM71 - 208 For ALE111 - 128
LFS2231	FA-M3 communication package (for ACM71)	FA-M3 communication (for ALE111)	Max. number of definition per communication module: For ACM71 - 208 For ALE111 - 128
LFS2230	MELSEC-A communication package (for ACM71)	MELSEC communication (for ALE111)	Max. number of definition per communication module: For ACM71 - 208 For ALE111 - 128
LFS2220	YS communication package (for ACM11, ACM12)	YS communication (for ALR121)	—

Table List of sub-system communication software packages for upgrading (2/2)

CENTUM CS 3000/VP		CENTUM VP R6 or later	Remarks
Model	Description		
LFS2212	Gas chromatograph communication package (for ACM21)	Modbus communication (for ALR111/ALR121)	FIO does not support gas chromatograph communication. This function is substituted by MODBUS communication package for ALR. Communication data capacity per communication modules are: For ACM21 1408 words For ALR121 1000 words Dedicated commands can be used for gas chromatograph communication package, and generic commands (register) is used for MODBUS communication.
LFS2210	FA-M3 communication package (for ACM11, ACM12)	FA-M3 communication (for ALR111, ALR121)	Max. data volume for communication: For ACM1□ - 1024 words For ALR111/ALR121 1000 words

Table List of FOUNDATION fieldbus communication software packages for upgrading

CENTUM CS 3000/VP		CENTUM VP R6 or later	Remarks
Model	Description		
LFS2510	FOUNDATION fieldbus communication package (for ACF11)	For FOUNDATION fieldbus communication (for ALF111)	—

Table List of PROFIBUS communication software packages for upgrading

CENTUM CS 3000/VP		CENTUM VP R6 or later	Remarks
Model	Description		
LFS2540	PROFIBUS communication package (for ACP71)	PROFIBUS-DP communication (for ALP121)	—

5.5 Upgrading software for upper gateway

ACG10S communication gateway, which functions as an upper gateway, is replaced by Exaopc OPC interface (*1). For details of the Exaopc, refer to the GS “NTPF100 Exaopc OPC interface package” (GS 36J02A10-01E).

*1: Control application has to be regenerated, including the upper side.

■ CENTUM CS

● For HMI

Table ACG10S related software package and its replacement (for HMI)

Applicable software		Replacement software	
Model	Description	Model	Description
SIH2210	Communication gateway	NTPF100	Exaopc OPC interface package
SIH2820	Communication gateway package (for AUC10S)		
SIH5240	Communication gateway builder function (for ICS)		
SHW5240	Communication gateway builder function (for HP9000/7xx)		
SIU5240	Communication gateway builder (for PICS)		

● For ACG

Table ACG10S related software package and its replacement (for ACG)

Applicable software		Replacement software	
Model	Description	Model	Description
SGW1240	Text-mode communication gateway unit function	NTPF100	Exaopc OPC interface package
SGW1250	Frame-mode communication gateway unit function		

■ CENTUM CS 1000/3000 and CENTUM VP

Communication gateway builder functions for CENTUM CS 1000, CS 3000, and VP are bundled into the package of the standard engineering functions since CENTUM CS 1000 and after.

Text-mode communication gateway unit function and Frame-mode communication gateway unit function are bundled into the standard engineering functions package since CENTUM VP R5.01.00.

● For ACG

Table ACG10S related software package and its replacement (for ACG)

Applicable software			Replacement software	
Model		Description	Model	Description
for CS 1000	for CS 3000/VP			
PGW1240	LGW1240	Text-mode communication gateway unit function	NTPF100	Exaopc OPC interface package
PGW1250	LGW1250	Frame-mode communication gateway unit function		

6. Upgrading Application Software

6.1 Application capacity of FFCS-R

Application capacity of CENTUM VP's FFCS-R control station after the RIO System Upgrade is as shown in the table below. The application capacity for VP6F1905 control function for FCS simulator is equivalent to that of VP6F1900 control function for field control station (for A2FV70□). As for the application capacities of the field control stations (FCS) of the CENTUM CS, CS 1000, CS 3000, and VP, refer to the relevant General Specifications (GS).

■ Application capacity

Table Application capacity of FFCS-R

Item		Types of A2FV70□ (FFCS-R)		
		VP6F1900-V1□C01 (Standard)	VP6F1900-V1□C02 (Expanded)	VP6F1900-V1□C03 (Large capacity)
Number of tags	Elements per FCS (*1)	18000	18000	18000
	Function block (*2)	5500	5500	9000
Process I/O	Analog I/O points	1760	1760	1760
	Contact I/O points	4096	4096	4096
Communication I/O (*3)	Data volume (in 16-bit units)	8000	8000	8000
Internal switches	Common switch	9999	9999	9999
	Global switch	256	256	256
Message output	Annunciator message	4000	4000	4000
	Print message	4000	4000	4000
	Operator guide message	4000	4000	4000
	Sequence message request	200	200	200
	Event message	4000	4000	4000
Control function	Control drawings	200	200 (300/400/500) (*4)	
1-sec trend	Acquisition points	1024	1024	1024
ADL points	Number of accesses to other stations	512	512	512

*1: The elements per station show the number of tags assigned to contact I/O (%Z), common switch (%SW), global switch (%GS), and communication I/O (%WB/%XB). The maximum number of tags assigned to %WB/%XB are up to 4000 each.

*2: The function block shows the number of tags assigned to function block (%BL) and annunciator (%AN).

*3: The sum of communication I/O is 8000 words; 4000 words for communication I/O (%WW and %WB) and 4000 words for expanded communication I/O (%XW and %XB).

*4: Number of control drawings can be selected from 200, 300, 400, or 500. The default is set as 200. When selecting number of control drawings for 300 or more, the total number of FCS for the entire project may be restricted. For details refer to the GS "Integrated production control system CENTUM VP system overview" (GS 33J01A10-01EN).

■ Data base

Number of function blocks depends on the types of database selected at generating a system. The maximum number is fixed by the types of the function blocks. Configuration of the FFCS-R database is as shown below:

Table Database (generic type) of FFCS-R

Item	Database type - General		
	VP6F1900-V1□C01 (Standard)	VP6F1900-V1□C02 (Expanded)	VP6F1900-V1□C03 (Large capacity)
FIO nodes (*1) (*2)	9	9	9
N-IO nodes (*2)	8	8	8
N-IO I/O units (*2)	40	40	40
No. of ALF111 module	64	64	64
No. of ALR, ALE, and ALP modules	32	32	32
Total No. of communication modules (*3)	64	64	64
Regulatory control blocks/calculation blocks (FF-FP block) (*4) (ZWOPID block) (*5)	400 (400) (100)	1000 (1000) (100)	1500 (1000) (100)
Sequence block (standard) (*6)	100	200	400
Sequence block (Medium-size) (*7)	50	100	150
Sequence block (Large-size) (*8)	50	100	150
General-purpose calculations	120	250	350
SFC block	100	200	300
Operation block (unit sequence)	250	500	700
Switching instrument block (*9)	800 (500)	1000	1500
Sequence element block 1	500	700	1100
Faceplate block	50	100	150
Logic operation block	50	100	150
Sequence element block 2	50	100	150
Batch data block	50	100	150
Unit instruments (*9)	20 (30)	60	80
Unit operation instruments	150	300	400
Offsite blocks	30	40	60
Valve pattern monitor	0	0	0
System function block	4	4	4
SEBOL daemon	840	840	840
SFC simultaneous operation	600	600	600
SEBOL user function	280	280	280
Control recipe area	2 MB	2 MB	2 MB
Option area	320 KB	320 KB	320 KB

Note: When upgrading from an existing RIO system, the number of I/O modules for RIO System Upgrade which allows high speed reading of the N-IO nodes is up to 40 per FCS.

*1: The number of FIO nodes includes the number of CPU nodes.

*2: The number of N-IO I/O units is determined by VP6F3100 project I/O license, not by the base model of VP6F1900. Refer to GS 33J15A10-01EN for further details.

*3: The sum of ALR111, ALR121, ALE111, ALF111, ALP121, and A2LP131 communication modules.

*4: The number of FOUNDATION fieldbus faceplate blocks (FF-FP) is included in the regulatory control blocks and calculation blocks.

*5: The number of PID controller with output loss compensation for wireless block (ZWOPID) is included in the regulatory control blocks and calculation blocks.

*6: The sum of input and output is 64, or max. 32 rules.

*7: The sum of input (32 – 64) and output (32 – 64) is 96, or max. 32 rules.

*8: Input 64 and output 64 are fixed, or max. 32 rules.

*9: Figures in the brackets apply for CENTUM VP R6.03 or earlier.

● Option area

Using the following function blocks require option areas as shown.

- Enhanced ON/OFF controller, Enhanced motor control, and Enhanced switch instrument: 64 KB (*1)
- Offsite block: 80 KB
- Valve pattern monitor: 90 KB
- PID controller with output loss compensation for wireless block: 120 KB

*1: All the 64 KB area is consumed even when only one of the three function blocks is used.

Sum of the function block sizes to be used should not exceed the size of the option area in the database.

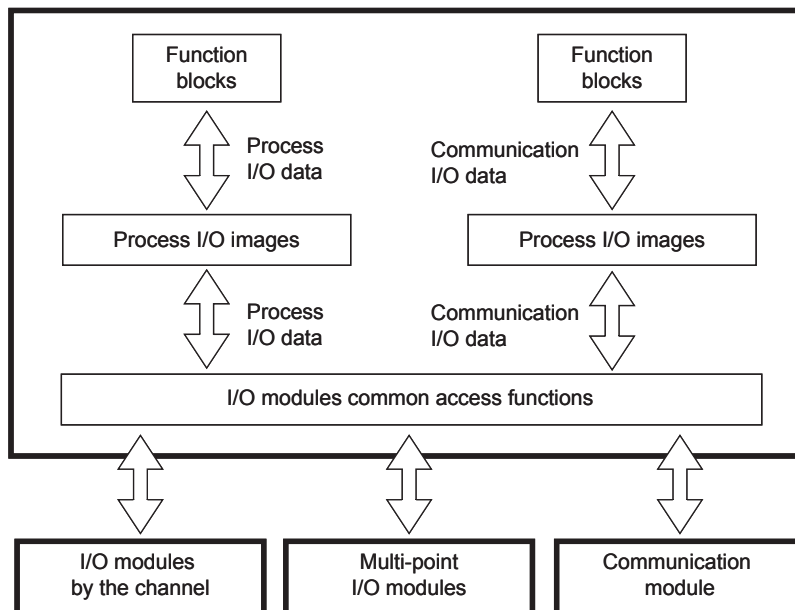
6.2 Functional specifications of FFCS-R

The overview of the control functions of the FFCS-R is described in this section.

Differences in control functions before and after upgrading as well as remarks for the control functions after upgrading are explained.

6.2.1 Control function overview

The figure below shows the process data flow in the FFCS-R.



F060201.ai

Figure FFCS-R I/O functions

■ Recovery from power failure/error

Recovery mode

When the FCS's power fails, its CPU and I/O modules stop operating. The table below describes the start conditions and the start operations when the power recovers.

Start condition		Start action
Initialization (MAN)	—	Initial cold start
Timer (TIM)	Prolonged power failure (FCS power failure time \geq Momentary power failure tolerant time)	
	Momentary power failure (FCS power failure time $<$ Momentary power failure tolerant time)	Restart
Continuous (AUT)	—	

Depending on the start action, switch instruments and regulatory control instruments perform the following actions.

Initial cold start: MAN (MV re-reads the card images before the power failure/error.)

Restart: AUT (continuous operation)

	Control station for RIO system	FFCS-R Control station for RIO System Upgrade
Initialization	MAN	MAN
Timer	TIM	TIM
Continuous	AUT, AUT2 (*1)	AUT (*1)

*1: "AUT" for CENTUM CS means "restart," which is to trigger MAN fall back after system power failure/error occurs for 16 seconds or longer. "AUT2" for CENTUM CS means "restart," which is to avoid MAN fall back. AUT for CENTUM CS 1000/CS 3000 and VP is equivalent to AUT2 of CENTUM CS (No such function as equivalent as AUT of CENTUM CS is available).

■ Online maintenance

Online maintenance can be performed for I/O definitions of the I/O modules for the RIO System Upgrade. The differences between the online maintenance of the I/O modules of RIO and the RIO System Upgrade are as shown below.

	RIO	I/O modules for RIO System Upgrade
Differences in online maintenance	Initialized loading only	Restart (sustaining output) (*1) (*2)

*1: For addition of new I/O module(s) and online maintenance of single/dual-redundant setting need initialized loading.

*2: For online maintenance of the digital I/O modules, output hold and output reset are selectable.

6.2.2 Input/output functions

■ Process control input/output

The process control input and output exchange data between the FCS and field devices, sub systems, or devices on the field buses.

● Types of process control input/output

The following process control I/O can be used by the FFCS-R.

Table List of process control I/O

I/O type	Description	Symbol	Symbol name
Process I/O	I/O to exchange signals between field devices and the FCS	%Y	Process I/O
Communication I/O	I/O to let FCS access to various data from subsystems such as PLC.	%WW (*1)	Communication I/O word data
		%WB (*1)	Communication output bit data
Fieldbus I/O	I/O to let FCS access to the various data from field devices on the fieldbus.	%Y	Fieldbus I/O

*1: When the FFCS-R uses expanded communication I/O function, %XW is converted to word data and %XB to bit data.

The following types of process I/O are available.

Table List of process I/O types

Category 1	Category 2	Types of process input/output
Input	Analog	Current, voltage, mV, thermocouple, RTD, potentiometer, pulse input, HART variables
	Contact	Status, pushbutton
Output	Analog	Current, voltage
	Contact	Status, flushing, pulse, pulse-width, time proportion on-off

● Identification of I/O points of process control input/output

Analog I/O and contact I/O

Terminal numbers of the process I/O are labeled by the physical positions of the mounting. For the contact I/O, either tag names or user-defined label names can be used. For the analog I/O, user-defined label names can be used.

%Ynnusmm

%Y : Process I/O identifier (I/O module for the RIO System Upgrade)
 nn : Node number (01 to 32)
 u : I/O unit number (1 to 5)
 s : Slot number (1 to 4)
 mm : Terminal number (01 to 64)
 01 to 32: Analog I/O or contact I/O
 33 to 64: HART variable

- **I/O value**

Analog I/O value

(1) Analog input: Following analog input types are available.

- Current input
- Voltage input
- mV input
- Thermocouple input
- RTD input
- Potentiometer input
- Pulse input
- HART variable

(2) Analog output: Following types of analog output types are available.

- Current output
- Voltage output

When IN terminal of the function block is connected to the process I/O, the inputs from I/O modules are converted into the following industrial units.

(1) Process data are indicated in 0 – 100%

0 – 100% of the input data are converted to SL to SH of the function blocks.

(2) Process data are indicated in industrial units (measured temperature, HART variable)

Input data are used as they are without converting.

(3) Process data are indicated in pulse counter (with time stamps)

Process data are converted into the actual value by using the pulse-row input process in the function blocks.

Input value ranges:

CENTUM CS's FCS assigned definitions of actual value scales to each analog input channel. As for I/O modules for the RIO System Upgrade, the actual value scales are fixed to 0 to 100% (except for thermocouple input and RTD input). Conversion to the actual value is performed in the function blocks. However, sub input terminals of the computation block does not have converting functions to the actual value. When upgrading an application connecting %Z with sub-input of computation blocks, convert them to the actual values by PVI, and then input them into the computation block.

When the OUT terminal of the function block is connected with the process I/O, the output to the I/O module is directly converted into the output range from 0-100% of MV.

OOP clear time:

The OOP clear time of RIO could have been specified by the unit of 0.1 second. For I/O modules for RIO System Upgrade, the OOP clear time is specified by the unit of a second.

Contact I/O value

(1) Contact input: Following contact input types are available.

- Status input
- Push-button input

The contact input filter time of the I/O modules for RIO System Upgrades can be specified by the unit of 2 ms and up; while the RIO did so from 0 ms. (*1)

(2) Contact output: Following types of contact output types are available.

- Status output
- Pulse output (*2) (*3)
- Pulse-width output (*4)
- Time-proportioning ON/OFF output
- Flushing output

*1: The sampling cycle within the IOM for RIO System Upgrade is 2 ms while that of the RIO was 20 ms. The sensitivity to the noise of the upgraded system is as the same as the RIO.

*2: Conversion from/to the CENTUM CS's FCS is enabled by specifying the point mode to "Pulse output" in the IOM builder and defining them as H-type operation in the sequence table
Conversion from/to the PFCS/SFCS is enabled by specifying the point mode as "Status output" in the IOM builder and defining them as P-type operation in the sequence table.

*3: The pulse width time of the pulse-width output is specified by the second. When the pulse width time of the pulse-width output for the RIO System Upgrade is specified at 0 second, the pulse-width output is less than 1 second or remains as output off.

*4: When the pulse-width output is used starting from even-number channels of the PFCS/SFCS, start using them in odd-number channels for FFCS-R.

The pulse-width output and time proportioning output, except for PFCS and SFCS, used to specify output operation mode by the I/O module; however, the digital I/O module of the FFCS-R is able to use all the status output, pulse-width output, and time proportioning output within an identical I/O module by specifying the point mode to either one of the status output, pulse-width output, and/or time proportioning on/off output by the channel.

The pulse-width output of the FFCS-R is to specify odd-number channel as the starting point of the contact output. Thus, in the digital I/O modules of the existing FCS, changing of the field signal wiring is required for the pulse-width output specifying even number channels as the starting point.

The unit of pulse width time and the data change timing of the pulse-width output are different for I/O modules for the RIO System Upgrade and the RIO for LFCS and LFCS2.

Pulse-width time of pulse-width output:

The pulse width time of the pulse-width output is specified by the unit of second for I/O modules for the RIO System Upgrade; while that of the RIO of LFCS and LFCS2 was specified by the unit of 0.01 second. (*1)

*1: The contact input filter time of the I/O modules for RIO System Upgrades can be specified by the unit of 2 ms and up; while the RIO did so from 0 ms.

Data change timing of pulse-width output:

For I/O modules for the RIO System Upgrade and RIO for PFCS and SCS, both the terminal block value and the actual terminal output become off only after the defined pulse-width time is elapsed when a function block turns on and off the terminal (%Y) in shorter time cycle than the defined pulse-width time.

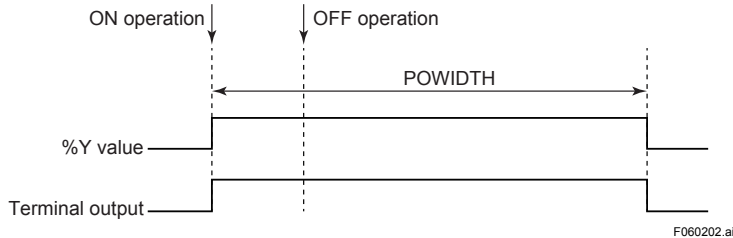


Figure Data change timing of pulse-width output (same for PFCS and SFCS)

On the other hand, for RIO for LFCS and LFCS2, the terminal block value becomes off but the actual terminal output remains on until the predefined pulse-width time ends when a function block turns on and off the terminal (%Z) in shorter time cycle than the defined pulse-width time.

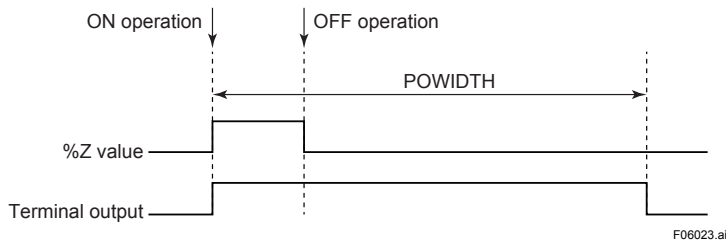


Figure Data change timing of pulse-width output for LFCS and LFCS2

● Dual-redundancy of I/O module for FFCS-R

Dual-redundant I/O module by the analog channel

I/O modules for A2BA3D take dual-redundant configuration only. As for I/O adaptor by the channel, only A2SAM505 analog output module (current output with HART) takes dual-redundant configuration. The A2SAM505 assigned to the odd-number channel and its annexed channel is used dual-redundantly.

Dual-redundant digital I/O module

Digital I/O modules can be configured in dual-redundant pair while the mounting positions are not annexed. (*1) (*2) (*3) (*4)

- *1: The operation status display displays I/O module models and control/on hold/stop, which is the same as dual-redundant I/O modules of FIO. However, when the paired modules for dual redundancy are not in the annexed positions, the operation status display does not show which two of the I/O modules are paired. Which I/O modules are paired for dual redundancy must be confirmed by the I/O module definition in the builder. I/O module loading can be done by selecting each I/O module.
- *2: In case of digital I/O modules, the control right does not switch over from the module in control to a module on the stand-by when a KS cable (connector type) or a M4 screw terminal block (terminal type) falls off from a module as it is not considered as a module failure.
- *3: Dual-redundant configuration is not available for the pulse-width output and time proportional output. If configured redundant, the output timing from the redundant digital output modules slips to cause inaccurate control. (The same situation as when the pulse-width output and time proportional output for RIO is configured redundantly.)
- *4: When the digital output module is configured in redundant, the sum of logics of control and slave outputs comes out. In the environment where the redundant digital I/O is specified as "all points suspend the current values" with or without fallback with the output is ON, when the only one side of the I/O module fails to communicate with an FCU, the I/O module retains ON output. Thus, the sum of logics of the two I/O modules becomes ON. In other words, the output to a field device is fixed as ON when the I/O module is turned on or off from the normal side. In case of communication failure with fall back, by specifying "all points off" enables to avoid fixing the output as OFF.

The table below shows the functional differences of digital I/O module in dual-redundant configuration for CENTUM CS and FFCS-R.

Table Functional differences of digital I/O module in dual-redundant Configuration between LFCS and FFCS-R

Item	LFCS for CENTUM CS	FFCS-R
Control drawings	Both of the %Z elements of the dual-redundant pair can be used in the control drawings.	In the dual-redundant pair, the elements of the smaller of the node number; the smaller of the unit number when the node numbers are the same; or the smaller of the slot number when the unit number and node numbers are the same for the control drawings is used.
Tag name	Both of the %Z elements of the dual-redundant pair can be named with tag names.	In the dual-redundant pair, the elements of the smaller of the node number; the smaller of the unit number when the node numbers are the same; or the smaller of the slot number when the unit number and node numbers are the same for the tag names is used.

The table below shows functional differences between the PFCS/SFCS and FFCS-R for digital I/O module in dual-redundant configuration.

Table Functional difference of digital I/O module in dual-redundant Configuration between PFCS/SFCS and FFCS-R

Item	PFCS/SFCS	FFCS-R
Coexistence of status output and pulse-width output	Digital output module can take dual-redundant configuration where the status output and pulse-width output are coexistent.	Digital output module for status output and for pulse-width output has to be defined independently.

Dual-redundant configuration for analog multiplexer module

Among all the analog multiplexer modules, AAB841-SK□ can be used in dual-redundant configuration. The identical pair mounted in the annexed slots, of the identical functions of AAB841, the IOM (defined in slot 1 and 2) can take dual-redundant configuration.

● HART communication function

The FFCS-R can use HART devices compliant to HART5 and HART7 in the same environment. The FFCS-R can refer to 4 - 20 mA analog I/O data with HART devices such as transmitters or valve positioners as well as HART variables (*1). On demand communication is also available.

*1: HART variables can be read by HART commands.

I/O module by the analog channel (when using A2SAM105-H or A2SAM505-H)

HART devices compliant to HART7 specifications can be used. HART variables assigned by the IOM builder are updated by the cycle of 1-second. However, in case Plant Resource manager (PRM, revision R3.31.00 or later) communicates with HART devices, which influences the communication of the HART variables, the periodic update cycle is not guaranteed, and may fluctuate by 1 or 2 seconds.

Connecting multiple HART devices to an identical I/O module does not influence the update cycle when the connecting I/O channels are different. However, multiple HART devices are connected to an identical I/O channel of an I/O module in multi-drop method, the updating cycle becomes 1 second x number of HART devices.

Analog Multiplexer Module (AAI143-HM or AAI543-HM)

HART devices compliant to HART5 specifications can be used. HART variables assigned by the IOM builder are updated by the cycle of 1 to 16 seconds, depending on the number of HART devices connected to the network. However, in case the PRM communicates with the HART devices, which influences the communication of the HART variables, the periodic update cycle is not guaranteed, and may fluctuate by 1 to 32 seconds.

■ Software Input/Output

● Global switch

Specifications related to the global switch (%GS) are unchanged. Number of switches has not been changed since CENTUM CS (256 points). (*1)

*1: By using AVR10D V net router with Style S3 or later, link transmissions between the FCS on V net and the FFCS-R on Vnet/IP can be established by the virtual domain link transmission function. For details of the virtual domain link transmission, contact Yokogawa office.

● Common Switch

The number of common switches (%SW) has been increased to 9999 points for the FFCS-R.

%SW0001 - %SW8000: Users can freely refer to and assign applications.

%SW8001 - %SW9999: Used as system switches

The system switch reflects the system status of the FCS in the form of ON/OFF status of the common switches so that the data can be used in applications.

The system switch information on the FFCS-R is as follows:

No. 8033 - 8047 and No. 8097 - 8216 shows the status of FIO nodes.

Statuses of N-IO node are added to No. 8221 and after.

Table System switches of FFCS-R (1/3)

Switch No.	Name	Description
8001	Initialization start	1 (initial cold start), 0 (restart)
8002	Restart	1 (restart), 0 (initial cold start)
8003	Reserved	0 fixed
8004	Sequence table initial cold start command	1 (re-execution from start step)
8005	Sequence table restart command	1 (restart from the current step)
8006	Reserved	0 fixed
8007	Momentary power failure/prolonged power failure	0 (reset start when power failure exceeds the momentary power failure tolerant time) 1 (power failure within the momentary power failure tolerant time)
8008 to 8014	Reserved	
8015	Write down output value to the output module during OOP	0 (void), 1 (valid)
8016	Online revision up flag	0 (normal), 1 (start triggered by online revision up)
8017	Right-side CPU status	0 (normal), 1 (abnormal)
8018	Left-side CPU status	0 (normal), 1 (abnormal)
8019	CPU temperature	0 (all normal), 1 (abnormal, either left or right side)
8020	CPU node (FCU) temperature	0 (normal), 1 (abnormal)
8021	CPU node power supply status	0 (all normal), 1 (abnormal, either left or right side)
8022	I/O node power supply status (*1)	0 (all normal), 1 (abnormal, one or more)
8023 to 8026	Reserved	Reserved for future
8027	Right-side CPU control status	1 (control), 0 (other)
8028	Left-side CPU control status	1 (control), 0 (other)
8029	Reserved	Reserved for future

*1: The node power supply status of both N-IO node and FIO node. Either one of the power supplies of the N-IO node or the FIO node fails the status is "1."

Table System switches of FFCS-R (2/3)

Switch No.	Name	Description
8030 to 8032	Reserved	Reserved for future
8033	FIO Node 1 communication status	0 (normal, communicable), 1 (abnormal, both sides)
:	Communication status of the applicable FIO node	0 (normal, communicable), 1 (abnormal, both sides)
8047	FIO node 15 communication status	0 (normal, communicable), 1 (abnormal, both sides)
8048 to 8064	Reserved	Reserved for future
8065 to 8072	CPU idle time (second)	8-bit integer
8073 to 8080	Communication load (%) (*2)	8-bit integer
8081 to 8089	Cabinet HKU status	HKU alarm status of cabinet address 1 to 9. 0 (normal, or no connection), 1 (abnormal) (*3)
8090 to 8096	Reserved	For future
8097	IOM status of slot 1 of FIO node 1	0 (normal or not defined), 1 (IOM abnormal)
8098	IOM status of slot 2 of FIO node 1	
:	IOM status of the applicable slot of FIO node	
8176	IOM status of slot 8 of FIO node 10	0 (normal or not defined), 1 (IOM abnormal)
8177	IOM status of slot 1 of FIO node 11	
:	IOM status of the applicable slot of FIO node	
8216	IOM status of slot 8 of FIO node 15	
8217 to 8220	Reserved	Reserved for future
8225	Communication status of N-IO node 1	0 (normal, communicable), 1 (abnormal on both sides) (*4)
:	Communication status of applicable node	0 (normal, communicable), 1 (abnormal on both sides)
8232	Communication status of N-IO node 8	0 (normal, communicable), 1 (abnormal on both sides)
8233 to 8288	Reserved	Reserved for future
8289	Reserved	
:	Reserved	
8320	Reserved	
8321 to 8352	Reserved	
8321 to 8352	Reserved	
8353	IOM status of slot 1, unit 1 of N-IO node 1	0 (normal or no definition), 1 (IOM abnormal)
8354	IOM status of slot 2, unit 1 of N-IO node 1	
8355	IOM status of slot 3, unit 1 of N-IO node 1	
8356	IOM status of slot 4, unit 1 of N-IO node 1	
8357	IOM status of slot 1, unit 2 of N-IO node 1	

*2: The average of communication load is shown in %.

*3: Indicates "1" when any one or more of the HKU of the cabinet, temperature, fan, or power supply fails.

*4: "1" is displayed while the N-IO node is under maintenance.

Table System switches of FFCS-R (3/3)

Switch No.	Name	Description
8358 to 8371	IOM status of applicable slot/unit	0 (normal or no definition), 1 (IOM abnormal)
8372	IOM status of slot 4, unit 5 of N-IO node 1	
8373 to 8376	Reserved	Reserved for future
8377	IOM status of slot 1, unit 1 of N-IO node 2	0 (normal or no definition), 1 (IOM abnormal)
8378 to 8544	IOM status of applicable slot/unit (up to N-IO node 8)	
8545 to 9999	Reserved	Reserved for future

■ I/O module for reliable-RIO System Upgrade

Fall back action and diagnosis of KS cable and/or terminal block drop outs in terms of reliability of the I/O modules for the RIO System Upgrade are described in this section.

● Fall back movement

I/O adaptor, multiplexer modules, and digital I/O modules of the RIO System Upgrade have different timings for fall back actions. For instance, when the FCU stops, the I/O adaptor starts fall back action one second earlier than the multiplexer module or digital I/O module.

● Diagnosis of KS cable drop out for analog I/O module

AMC80 of RIO, either single or dual-redundant configuration, has diagnosis for KS cable drop out. AAB841-SK□ I/O module for the RIO System Upgrade has, by default, no KS cable drop out diagnosis in a single configuration and with KS cable drop out diagnosis in a dual-redundant configuration.

- When the AAB841-SK□ is in a single configuration, function block receives failure of KS cable drop outs by detecting the field signal disconnection, even the I/O module does not become abnormal status. In the same way as AMC80, specify in the command line to notify I/O module failure by the KS cable drop out.
- When AAB841-SK□ is in dual-redundant configuration, once both sides fail as the KS cable drops off from both of the I/O modules, the control side does not recover even the KS cable is connected to the I/O module on the ex-stand-by side. AAB841-SK□ recovers when the KS cables are re-connected to both sides or stop the ex-control side and forcibly switches the control rights.

● Diagnosis of KS cable drop out for I/O module (connector type)

I/O modules for both RIO and the RIO System Upgrade share the same diagnosis of drop out of the KS cable for the connector type of analog multiplexer modules and digital I/O modules.

- RIO does not have the drop out diagnosis of KS cable.
- I/O modules for the RIO System Upgrade does not have the drop out diagnosis of KS cable by default. (Only AAB841-SK□ is able to detect KS cable drop out by command line.)